

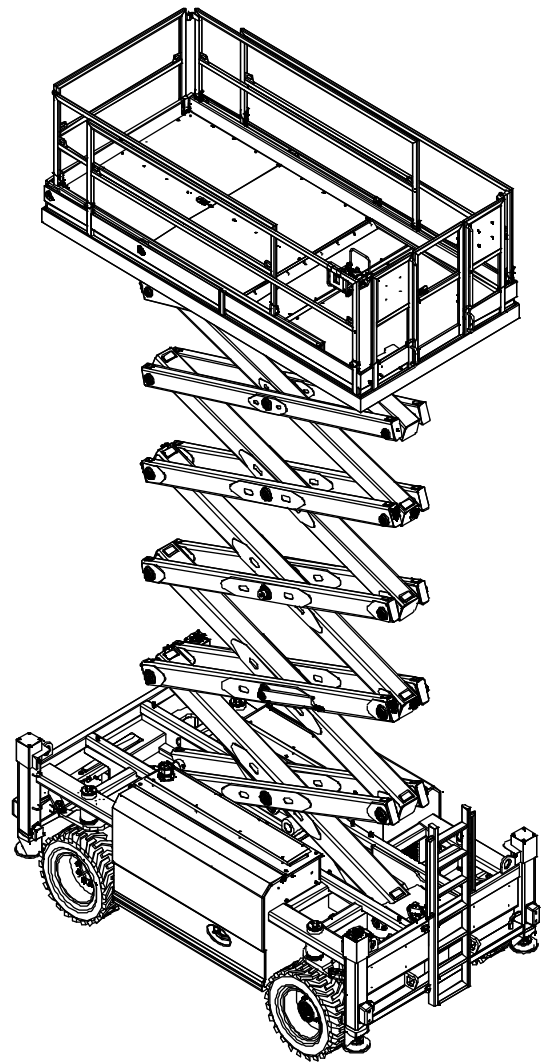
# DINGLI

*Exceed · New Height*

## Parts Manual

JCPT1923RTL

From SN  
JPR1923022L0291



CE

Part Number: SM012220123

Version Number: Rev1.0

August 2023 Printing

# DINGLI



## Foreword

We are very appreciated for your interesting with Dingli machine and choosing it for your application. Our priority above all is you can use the machine safely for your application and you can benefit from the Dingli machine mostly. For these reason we hope you can:

1. Comply with employer, job site and local governmental rules.
2. Safeguard your commitment to quality by always using genuine Dingli spare parts. Remember, Dingli cannot accept responsibility for the failure of a separator equipped with non-original spare parts. We guarantee the quality and reliability of our products.
3. All sketch maps of parts shown in this manual are for reference only, it is the practical that counts. This manual includes all the latest information up to the date when it was printed. All responsibilities for the revision and explanation of the manual rest with the Dingli. We also preserve the right to edit the technology characteristic and content of the manual.
4. Anyone who read the manual or used the machine, is encouraged to notify Dingli Machinery Co, Ltd of any errors or send in suggestions for improvement. All communications will be carefully considered for future printings of this and other manuals, certainly if you have any question about the machine, please contact with our team by dialing technical support phone, sending email, or any methods you want, etc. Our contact information as bellow:

If you are in China Mainland, Please contact with:

### **Zhejiang Dingli Machinery Co.,Ltd. Domestic Office:**

**Phone:** +86 572 8681766  
**Fax:** +86 572 8681700  
**Email:** sales@cndingli.com

If you are out of the China Mainland, Please contact with:

### **Zhejiang Dingli Machinery Co.,Ltd. International Office:**

**Phone:** +86 572 8681688  
**Fax:** +86 572 8681690  
**Email:** export@cndingli.com



## Table of Contents

### Section 1 Chassis

101.1	Steer Linkage and Wheels Installation.....	2
102.1	Steer Linkage and Wheels Assembly .....	4
103.1	Motor Assembly .....	7
104.1	Right Tray Door Installation.....	8
105.1	Right Tray Assembly .....	11
106.1	Hydraulic Tank Assembly .....	14
107.1	Filter Assembly .....	17
108.1	Fuel Filter Assembly.....	18
109.1	Cooling System Assembly.....	19
109.2	Cooling System Assembly (T4 Engine) .....	22
110.1	Intake System and Exhaust System.....	25
110.2	Intake System and Exhaust System (T4 Engine).....	27
111.1	Engine Assembly Installation .....	29
111.2	Engine Assembly Installation (T4 Engine).....	31
112.1	Engine Assembly.....	33
113.1	Fuel Filter Assembly .....	36
114.1	Left Tray Door Installation.....	37
115.1	Left Tray Assembly 1 .....	40
116.1	Left Tray Assembly 2 .....	42
117.1	Fuel Tank Assembly .....	45
118.1	Oil-water Separator Assembly (Option).....	47
119.1	Flow Control Manifold (option).....	48
120.1	Manual Pump Assembly.....	50
121.1	Ground Control Installation.....	51
122.1	Ground Control Box Support Assembly .....	52
123.1	Ground Control Box Assembly .....	54
124.1	Alternator Assembly (option) .....	57
125.1	Function Manifold Assembly.....	58
126.1	High Pressure Line Filter Assembly.....	59
127.1	Drive Manifold Assembly .....	60
128.1	Hydraulic Hoses Manifold Assembly.....	61
129.1	Oil Cooler Assembly.....	63
130.1	Outriggers Assembly .....	64

131.1	Ladder and Chassis Accessory Installation .....	67
132.1	Outrigger Plate (Option).....	70
133.1	power switch assembly (Optional) .....	71
<b>Section 2 Scissor</b>		
201.1	Scissor Arms Installation .....	73
202.1	Scissor Arm pin joint A .....	75
203.1	Scissor Arm pin joint B.....	76
204.1	Scissor Arm pin joint C .....	78
205.1	Scissor Arm pin joint D .....	79
206.1	Scissor Arm pin joint E.....	80
207.1	Scissor Arm pin joint F .....	81
208.1	Scissor Arm pin joint G .....	82
209.1	Scissor Arm pin joint H .....	83
210.1	Scissor Arm pin joint J .....	84
211.1	Scissor Arm pin joint K.....	85
212.1	Scissor Arm pin joint L .....	86
213.1	Scissor Arm pin joint M .....	87
214.1	Scissor Arm pin joint N .....	88
215.1	Scissor Arm pin joint O .....	89
216.1	Scissor Arm pin joint P.....	90
217.1	Platform Slider Assembly .....	91
218.1	Lift cylinder and Scissor Accessory Installation .....	92
219.1	Rotary Sensor Assembly .....	94
<b>Section 3 Platform</b>		
301.1	Main Platform Assembly .....	97
302.1	Platform Extension Assembly .....	100
303.1	Platform Control Box Assembly .....	102
304.1	Top Telescopic Cylinder Assembly .....	103
305.1	Platform cable plate.....	105
<b>Section 4 Hydraulic System</b>		
401.1	Lift Cylinder Assembly .....	108
402.1	Left Outrigger Cylinder Assembly.....	110
403.1	Right Outrigger Cylinder Assembly .....	112
404.1	Function Manifold .....	114
405.1	Drive Manifold .....	117
406.1	Counterbalance Manifold Assembly .....	119

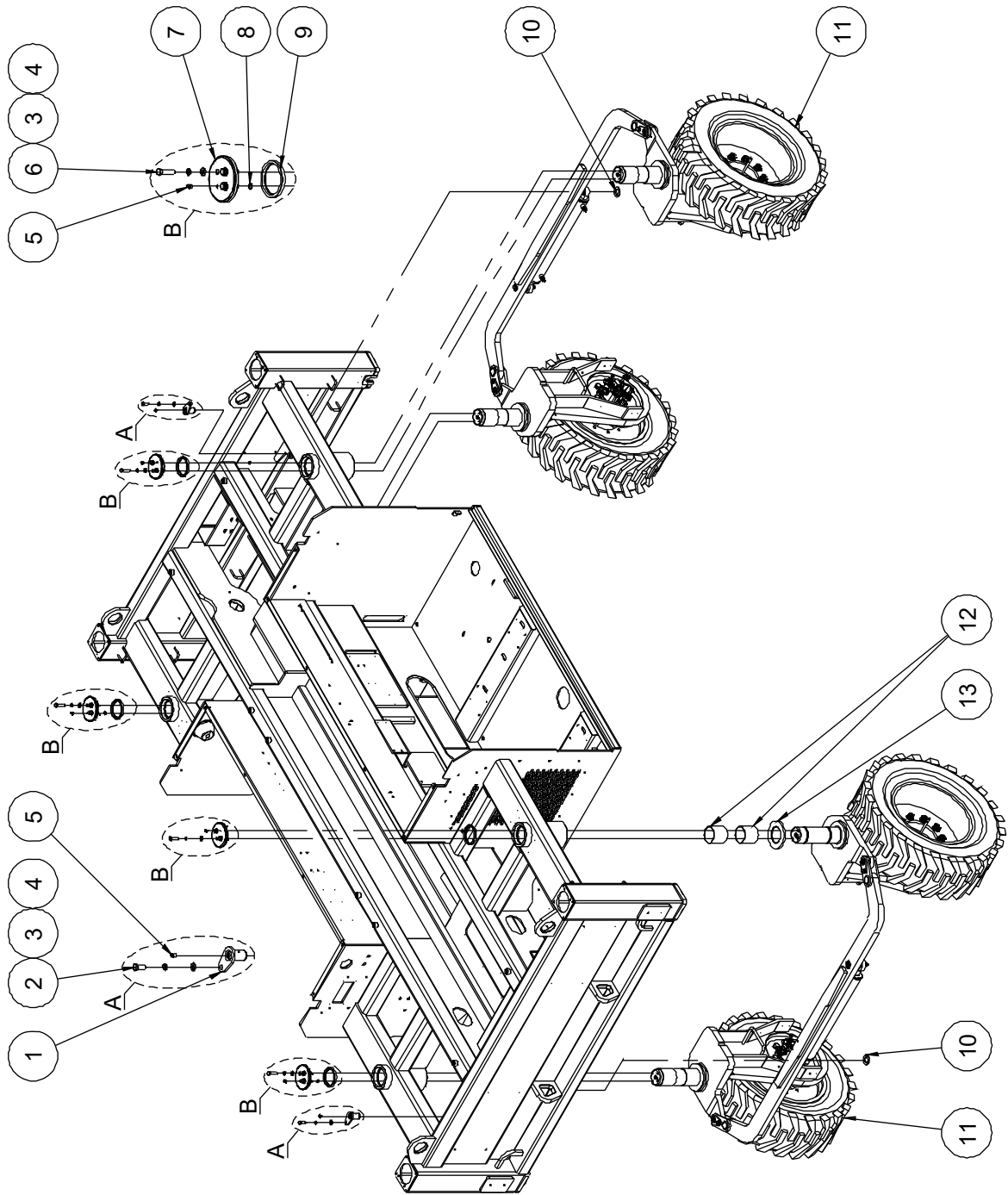
---

407.1	Hydraulic Hoses and Fittings - Drive.....	120
408.1	Hydraulic Hoses and Fittings - Function.....	124
409.1	Hydraulic Hoses and Fittings - Outrigger .....	127
410.1	Hydraulic Hoses and Fittings - Alternator (Option) .....	129
<b>Section 5 Electrical System</b>		
501.1	Electrical Harness .....	132
502.1	Power to Platform .....	135
<b>Section 6 Decal</b>		
601.1	Decals with Words .....	138
602.1	Decals with Symbols .....	143



# Section 1 Chassis

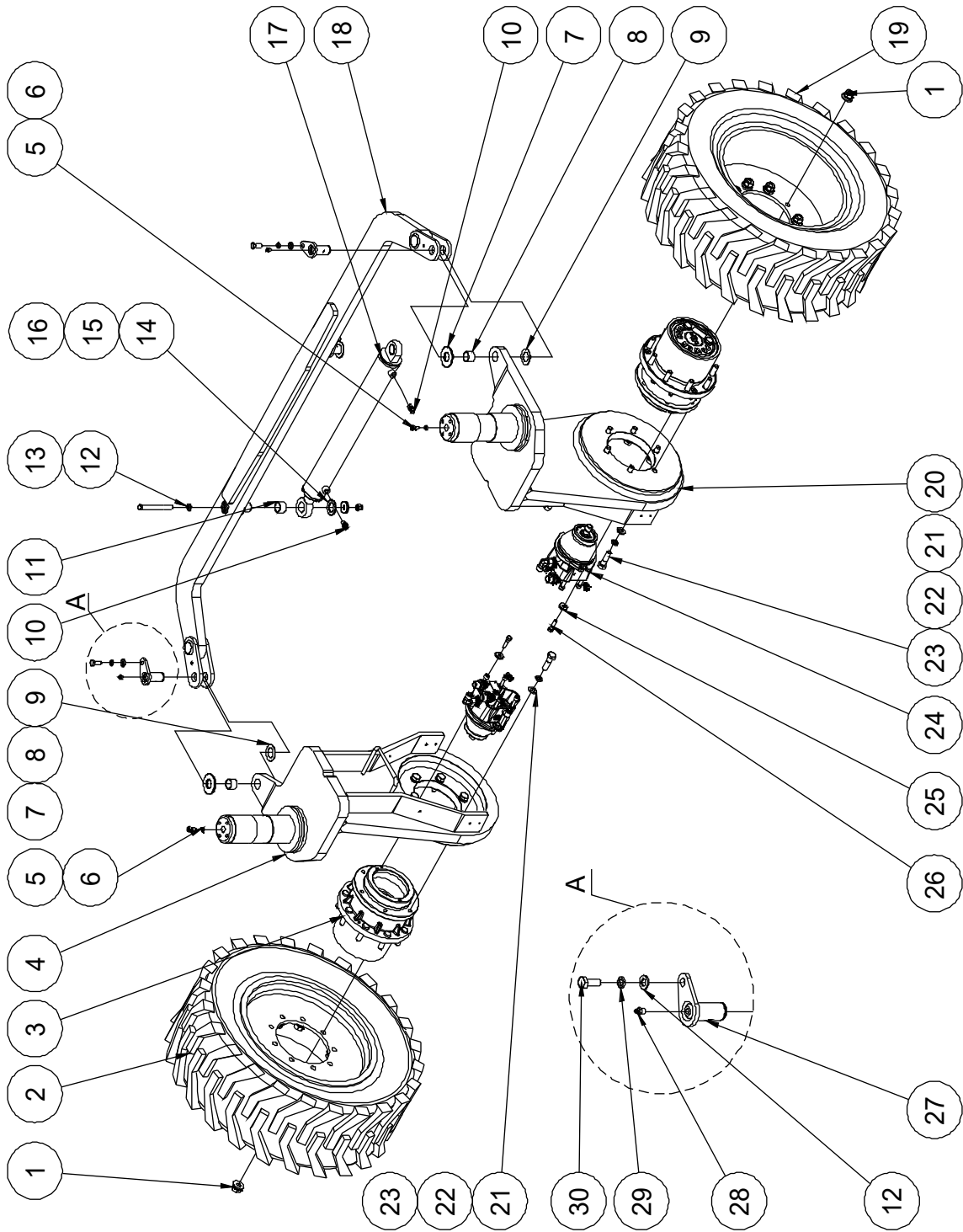
### 101.1 Steer Linkage and Wheels Installation



**101.1 Steer Linkage and Wheels Installation**

Item	Part No.	Description	Qty.
1	10010151	Pin	2
2	00002059	Bolt GB/T 5783 M12×30	2
3	00000815	Washer GB/T 93 12	14
4	00000814	Washer GB/T 97.1 12	14
5	00004483	Grease nipple GB/T 1152 M10×1	6
6	00001856	Bolt GB/T 5783 M12×50	12
7	10011489	Cover	4
8	00006127	O-ring GB/T 3452.1-14×1.8	4
9	00006126	Seal GB/T 13871.1 FB 90 110 12 III	4
10	00004610	8832-32 Bearing	2
11		Steer linkage and wheels assembly (refer to 102.1)	2
12	00006140	8812-909590A Bearing	8
13	10010961	Washer	4

### 102.1 Steer Linkage and Wheels Assembly



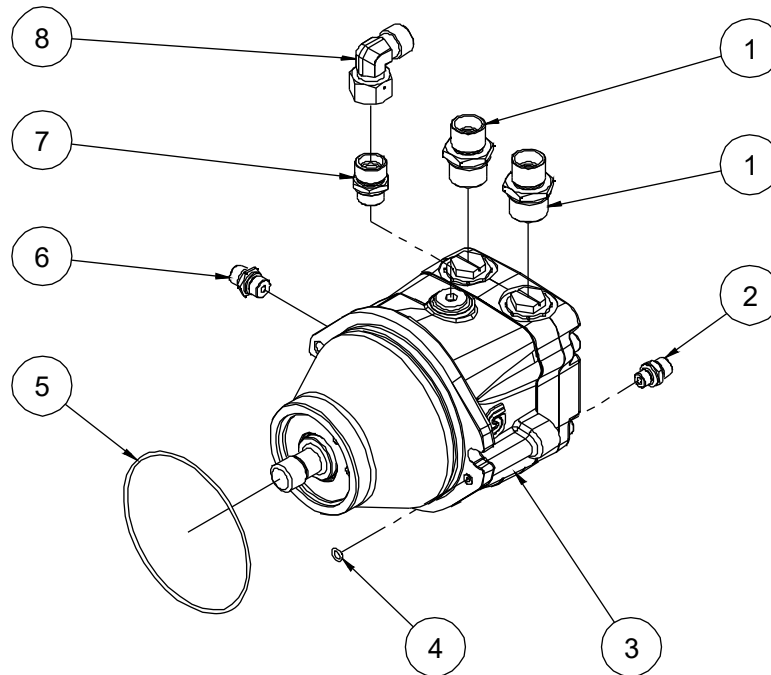
**102.1 Steer Linkage and Wheels Assembly**

Item	Part No.	Description	Qty.
1	00002274	5/8-18UNF Nut	18
2	00003098	Wheel (black)	1
	00006234	Wheel (grey)	1
3	00003957	Drive hub	2
4	10023904	Steer yoke weldment	1
5	00002249	Screw GB/T 70.1 M10×20	2
6	00000679	Washer GB/T 93 10	2
7	10010281	Washer	2
8	00006147	8812-303425A Bearing	2
9	00004610	8832-32 Bearing	2
10	00001282	Straight fitting	2
11	00000376	8812-303425 Bearing	2
12	00002012	Bolt GB/T 5782 M12×130	1
13	00000814	Washer GB/T 97.1 12	4
14	10013519	Washer	1
15	10010963	Washer	1
16	00001249	Nut GB/T 6182 M12	1
17	10014153	Steer cylinder assembly (without seal kit)	1
--	00007234	Seal kit	1
18	10010952	Tie rod weldment	1
19	00003099	Wheel (black)	1
	00006235	Wheel (grey)	1
20	10023910	Steer yoke weldment	1
21	00000997	Washer GB/T 97.1 16	12
22	00001035	Washer GB/T 93 16	12
23	00001234	5/8-11×2 1/4" Bolt ANSI B18.2.1	12
24		Motor assembly (refer to 103.1)	2
25	10002531	Washer	4
26	00003115	7/16-14×1 1/2" Bolt ANSI B18.2.1	4

**102.1 Steer Linkage and Wheels Assembly**

<b>Item</b>	<b>Part No.</b>	<b>Description</b>	<b>Qty.</b>
27	10010967	Pin	2
28	00004483	Grease nipple GB/T 1152 M10×1	2
29	00000815	Washer GB/T 93 12	3
30	00002059	Bolt GB/T 5783 M12×30	3

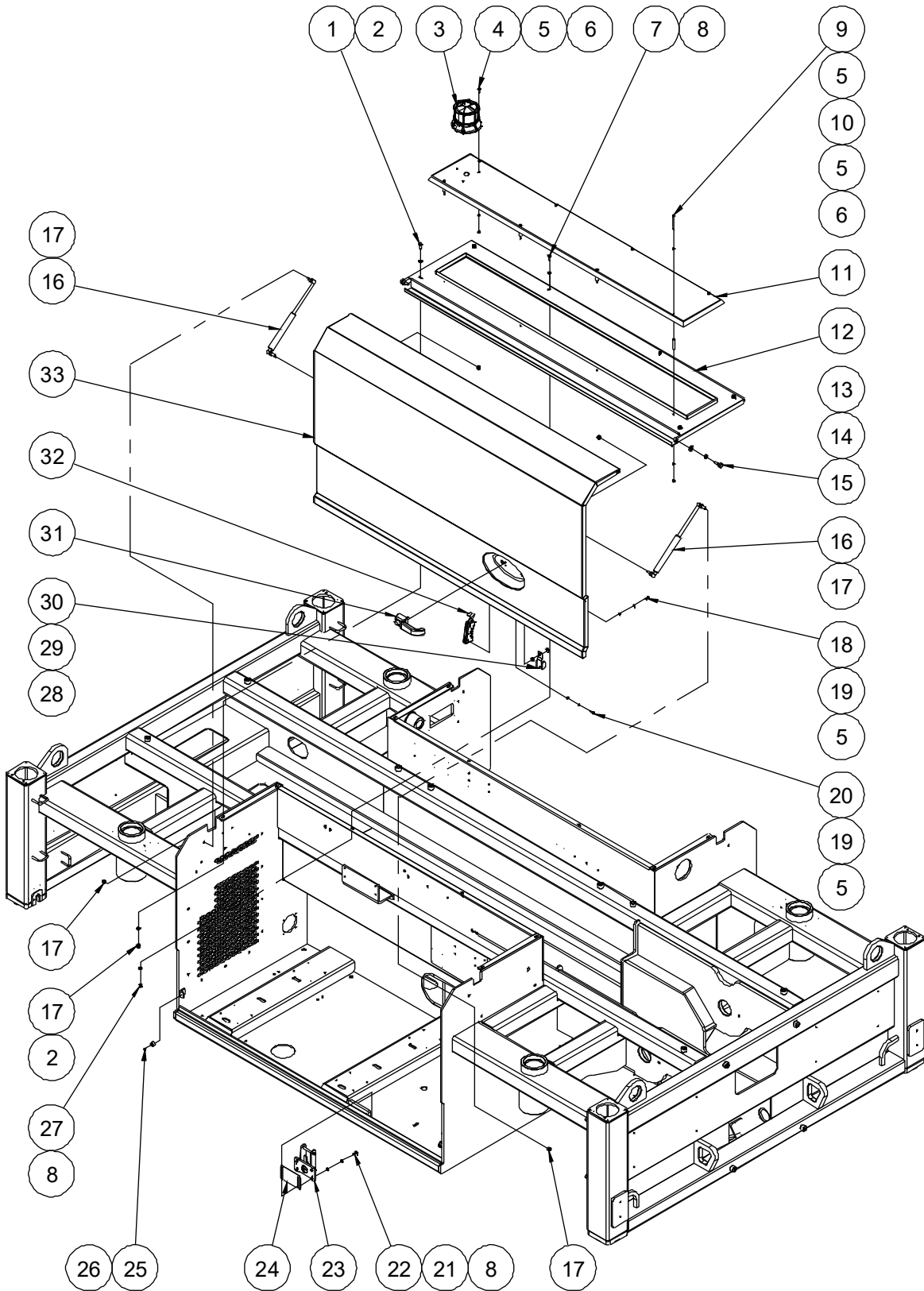
**103.1 Motor Assembly**



**103.1 Motor Assembly**

Item	Part No.	Description	Qty.
1	00002073	Straight fitting	2
2	00001769	Straight fitting	1
3	00003107	Motor	1
4	00001387	O-ring GB1235-76 10×1.9	1
5	00001542	O-ring As568A 120.32×2.62	1
6	00002072	Straight fitting	1
7	00001775	Straight fitting	1
8	00001835	Elbow	1

### 104.1 Right Tray Door Installation



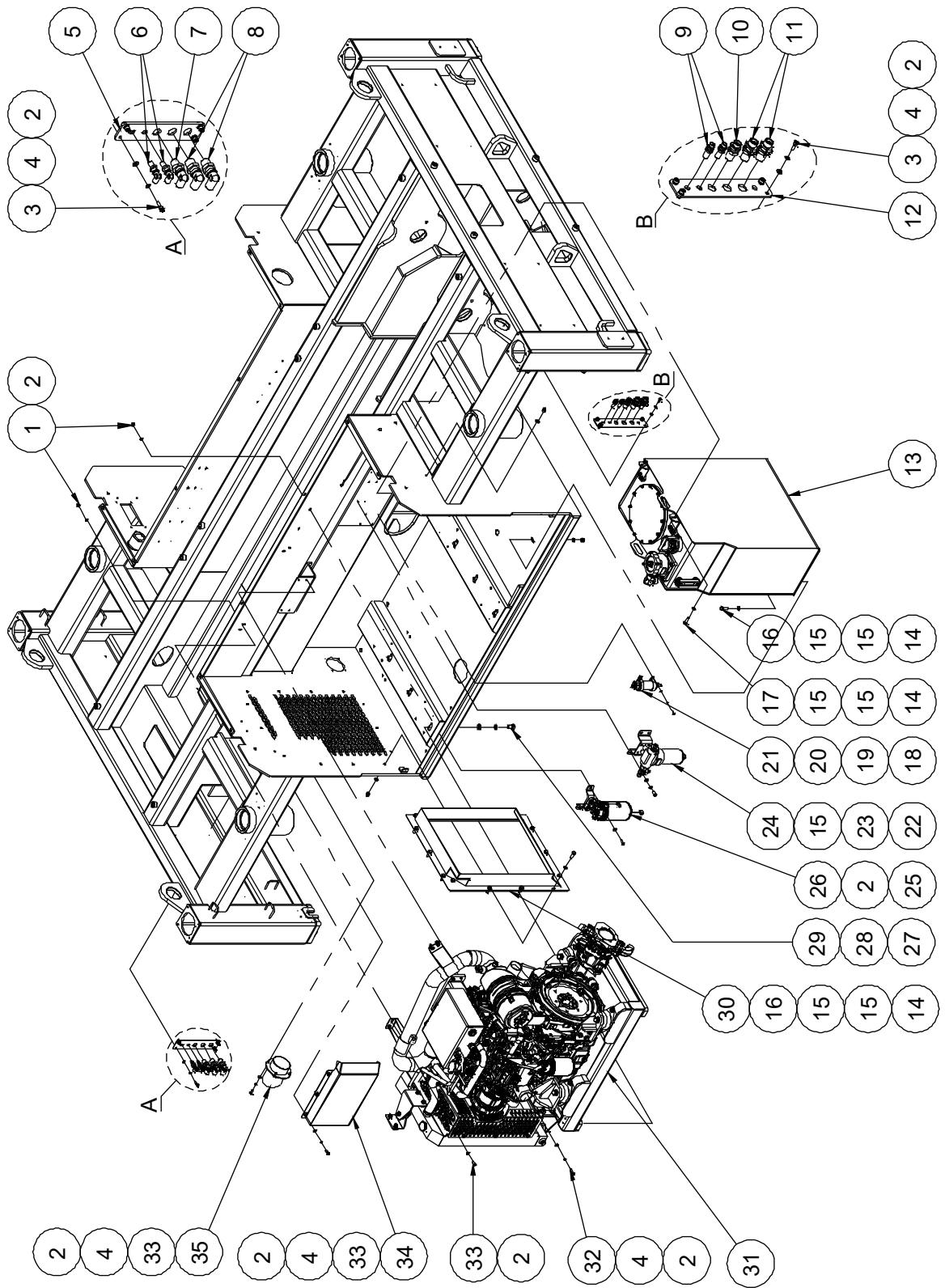
**104.1 Right Tray Door Installation**

Item	Part No.	Description	Qty.
1	00000678	Bolt GB/T 5783 M10×25	4
2	00000615	Washer GB/T 97.1 10	8
3	00004883	Beacon	1
4	00000774	Screw GB/T 70.1 M6×20	3
5	00000620	Washer GB/T 97.1 6	24
6	00001033	Nut GB/T 6182 M6	11
7	00000993	Bolt GB/T 5783 M8×25	2
8	00000608	Washer GB/T 97.1 8	8
9	00007023	Bolt GB/T 5782 M6×80	8
10	10010987	Spacer sleeve	8
11	10023948	Cover	1
12	10023949	Top panel	1
13	00001043	Washer GB/T 97.1 14	2
14	00001258	Washer GB/T 93 14	2
15	10010215	Pin	2
16	10010148	Gas shock	2
17	00000623	Nut GB/T 6182 M10	8
18	00000743	Bolt GB/T 5783 M6×20	3
19	00000621	Washer GB/T 93 6	5
20	00000619	Bolt GB/T 5783 M6×25	2
21	00000609	Washer GB/T 93 8	4
22	00000875	Bolt GB/T 5783 M8×20	4
23	10010254	Lock clasp	1
24	10010444	Washer	1
25	00002026	Screw GB/T 818 M4×10 - H	2
26	10000376	Bumper	2
27	00001163	Nut GB/T 6182 M8	2
28	50000479	Nut	1
29	50000478	Threaded sleeve	1

**104.1 Right Tray Door Installation**

<b>Item</b>	<b>Part No.</b>	<b>Description</b>	<b>Qty.</b>
30	10016135	Bracket	1
31	50000524	Handle	1
32	10000481	Latch (left)	1
33	10023960	Right door	1

105.1 Right Tray Assembly



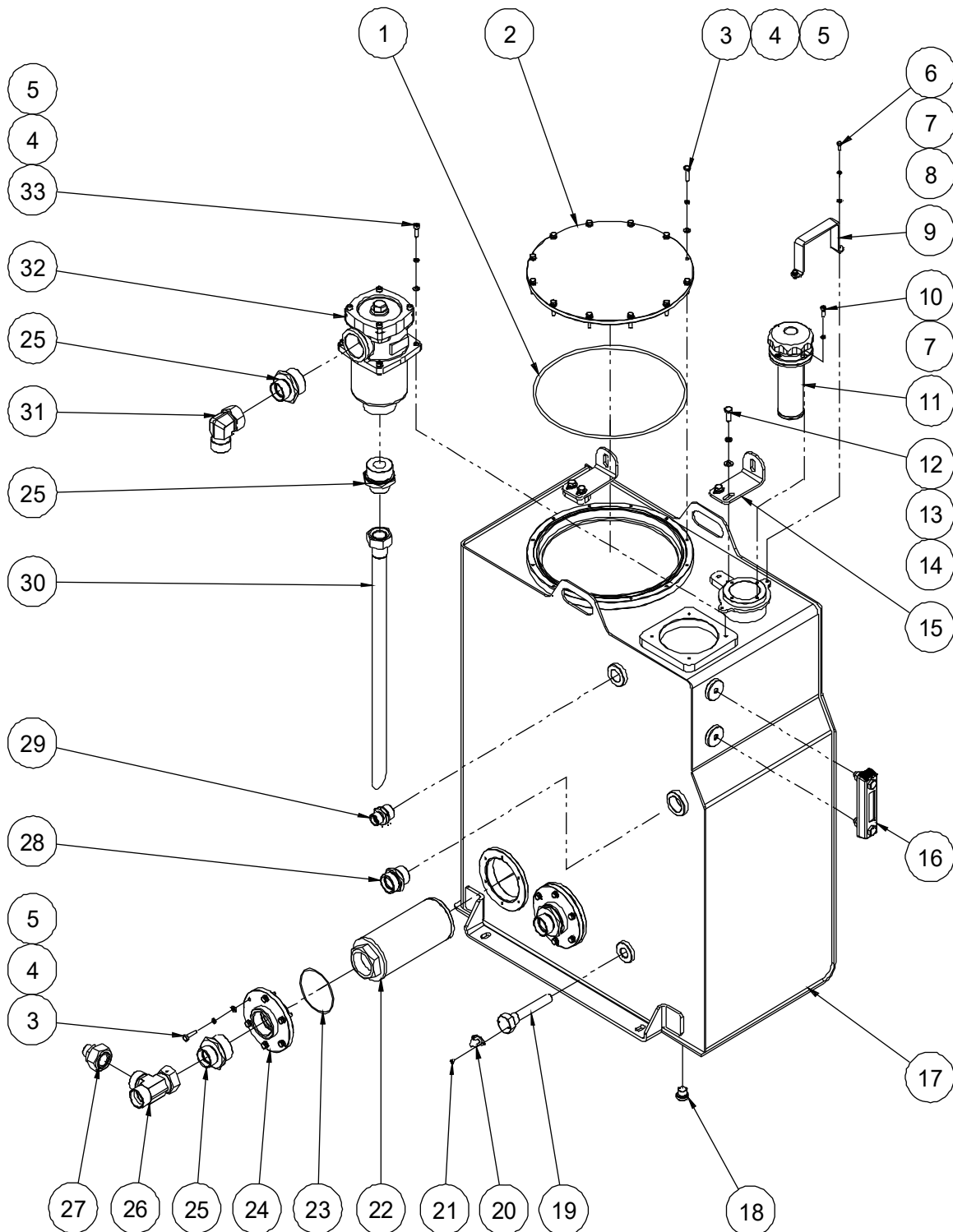
**105.1 Right Tray Assembly**

Item	Part No.	Description	Qty.
1	00001163	Nut GB/T 6182 M8	6
2	00000608	Washer GB/T 97.1 8	30
3	00001061	Screw GB/T 70.1 M8×20	8
4	00000609	Washer GB/T 93 8	22
5	10010270	Plate	1
6	00003867	Elbow	2
7	00003870	Elbow	1
8	00004349	Elbow	2
9	00002135	Straight fitting	2
10	00002138	Straight fitting	1
11	00002145	Straight fitting	2
12	10018478	Plate	1
13		Hydraulic tank assembly (refer to 106.1)	1
14	00000623	Nut GB/T 6182 M10	18
15	00000615	Washer GB/T 97.1 10	44
16	00000683	Bolt GB/T 5783 M10×30	16
17	00000684	Bolt GB/T 5783 M10×35	2
18	00000605	Washer GB/T 97.1 5	4
19	00000606	Washer GB/T 93 5	4
20	00003949	Bolt GB/T 5783 M5×16	4
21	90029469	Fuel pump	1
22	00000674	Bolt GB/T 5783 M10×20	4
23	00000679	Washer GB/T 93 10	4
24		Filter assembly (refer to 107.1)	1
25	00000993	Bolt GB/T 5783 M8×25	2
26		Fuel filter assembly (refer to 108.1)	1
27	00000997	Washer GB/T 97.1 16	6
28	00001035	Washer GB/T 93 16	6
29	00006696	Bolt GB/T 5783 M16×25	6

**105.1 Right Tray Assembly**

Item	Part No.	Description	Qty.
30	10010213	Cooler shroud weldment	1
31		Engine installation assembly (refer to 109.1, 109.2, 110.1, 110.2, 111.1, 111.2)	1
32	00000995	Bolt GB/T 5783 M8×30	4
33	00000875	Bolt GB/T 5783 M8×20	10
34	10023985	Cover	1
35	10013263	Exhaust pipe weldment	1

### 106.1 Hydraulic Tank Assembly



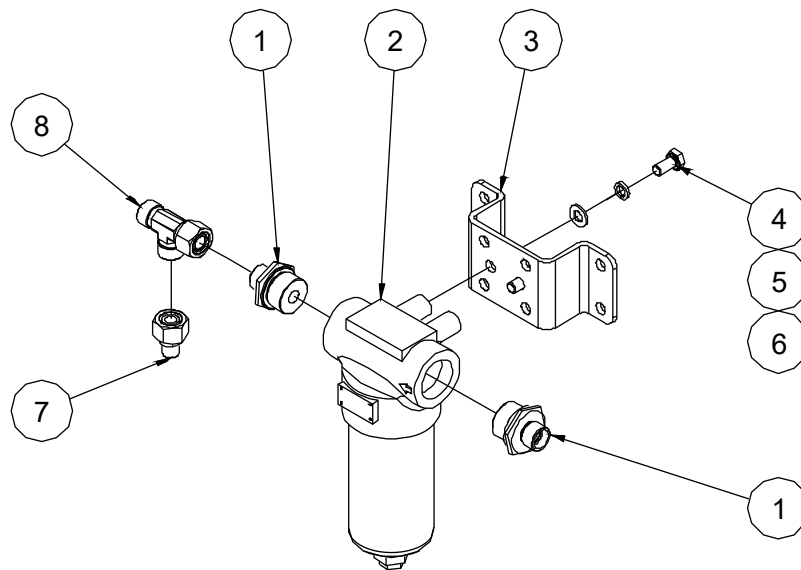
**106.1 Hydraulic Tank Assembly**

Item	Part No.	Description	Qty.
1	00004412	O-ring GB/T 3452.1-272×5.3	1
2	10011071	Cover weldment	1
3	00000619	Bolt GB/T 5783 M6×25	24
4	00000621	Washer GB/T 93 6	28
5	00000620	Washer GB/T 97.1 6	28
6	00002246	Bolt GB/T 5783 M5×12	2
7	00000606	Washer GB/T 93 5	6
8	00000605	Washer GB/T 97.1 5	2
9	10013558	Keeper bar	1
10	00001246	Screw GB/T 70.1 M5×16	4
11	00000520	Air cleaner	1
12	00000875	Bolt GB/T 5783 M8×20	4
13	00000609	Washer GB/T 93 8	4
14	00000608	Washer GB/T 97.1 8	4
15	10011836	Bracket	2
16	00001873	Level gauge	1
17	10023616	Hydraulic tank weldment	1
18	00001074	Plug VST116×1.5ED	1
19	10005917	Plug	1
20	00003376	Temperature switch	1
21	00003548	Screw GB/T 818 M3×6 - H	2
22	00001872	Suction filter	2
23	00001536	O-ring As568A 82.22×2.62	2
24	50001442	Flange	2
25	00003964	Straight fitting	4
26	00001242	Tee fitting	1
27	00003844	Straight fitting	1
28	00002071	Straight fitting	1
29	00006556	Straight fitting	1

**106.1 Hydraulic Tank Assembly**

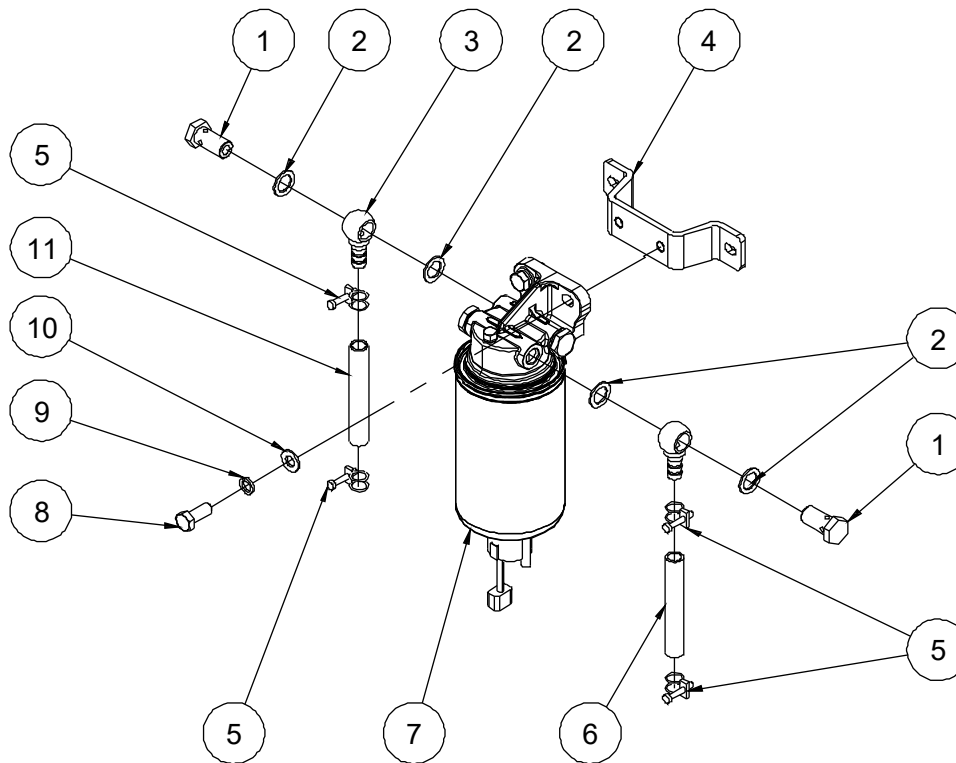
Item	Part No.	Description	Qty.
30	10011561	Pipe	1
31	00001837	Elbow	1
32	00001869	Return filter	1
--	00004706	Filter element	1
33	00000774	Screw GB/T 70.1 M6×20	4

**107.1 Filter Assembly**



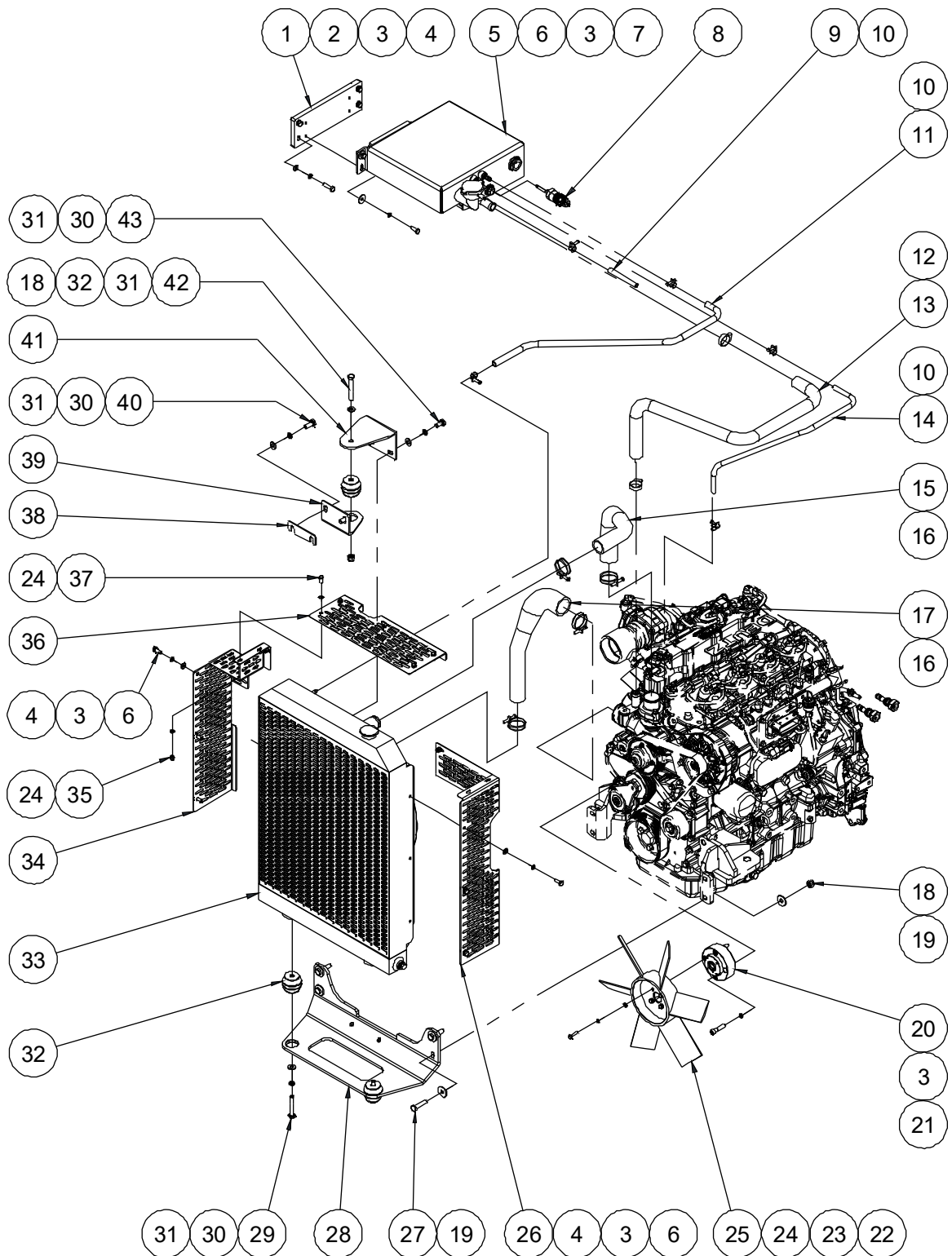
**107.1 Filter Assembly**

Item	Part No.	Description	Qty.
1	00002069	Straight fitting	2
2	00001870	High pressure line filter	1
--	00004697	Filter element	1
3	50002311	Filter bracket	1
4	00000674	Bolt GB/T 5783 M10×20	2
5	00000679	Washer GB/T 93 10	2
6	00000615	Washer GB/T 97.1 10	2
7	00005926	Straight fitting	1
8	00001240	Tee fitting	1

**108.1 Fuel Filter Assembly****108.1 Fuel Filter Assembly**

Item	Part No.	Description	Qty.
1	90007329	Fitting	2
2	90007331	Washer	4
3	90023862	Fitting	2
4	10004734	Fuel filter bracket	1
5	50001592	Clamp	4
6	10004736	Hose	1
7	90029468	Fuel filter	1
--	90031462	Filter element	1
--	90031464	Fuel sensor	1
8	00000678	Bolt GB/T 5783 M10×25	2
9	00000679	Washer GB/T 93 10	2
10	00000615	Washer GB/T 97.1 10	2
11	10004735	Hose	1

109.1 Cooling System Assembly



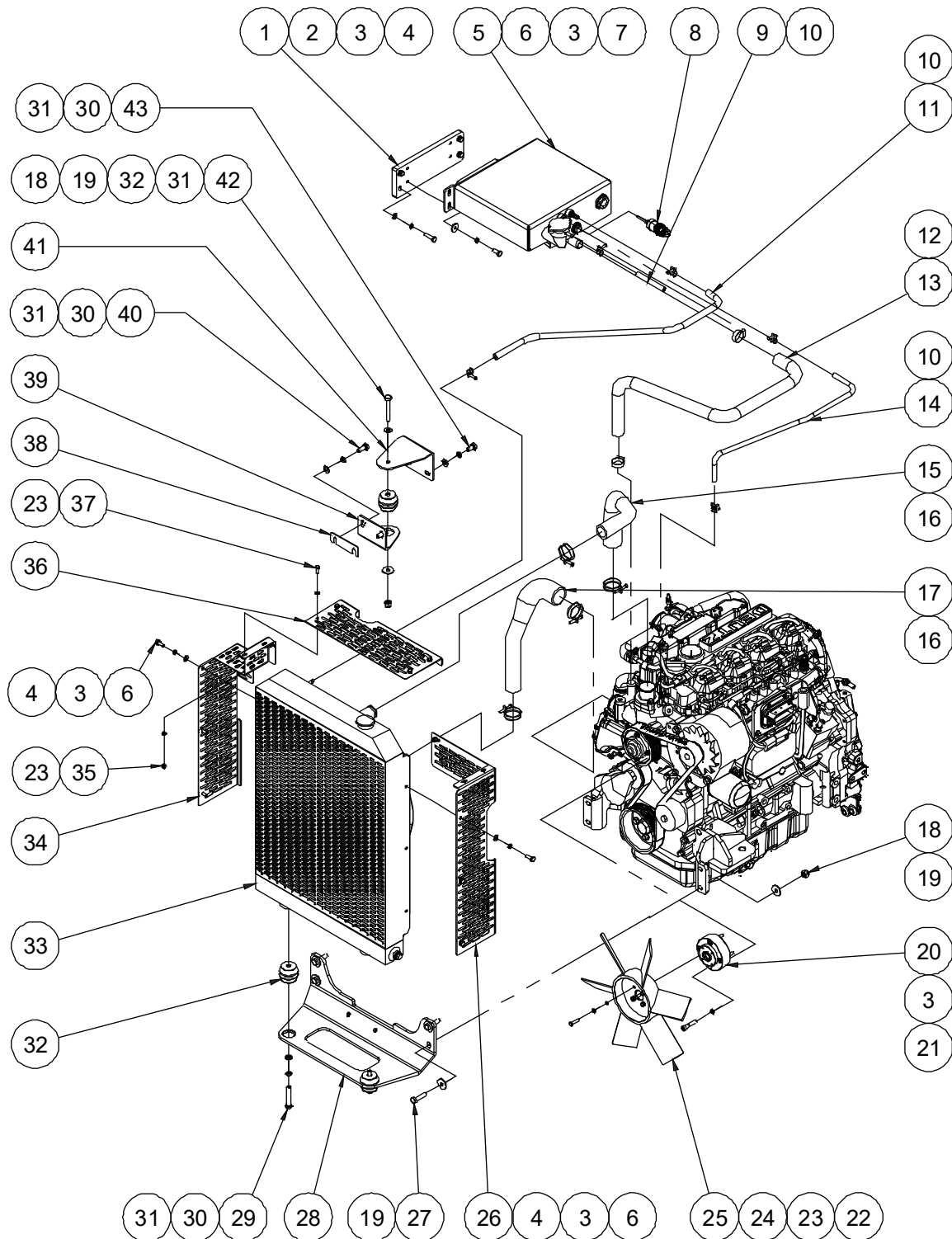
**109.1 Cooling System Assembly**

Item	Part No.	Description	Qty.
1	10014343	Bottle bracket	1
2	00000995	Bolt GB/T 5783 M8×30	4
3	00000609	Washer GB/T 93 8	18
4	00000608	Washer GB/T 97.1 8	10
5	92101233	Coolant recovery bottle	1
6	00000875	Bolt GB/T 5783 M8×20	10
7	00002000	Washer GB/T 96.1 8	4
8	00002595	Coolant level switch	1
9	10004758	Hose	1
10	50001592	Clamp	5
11	10010312	Hose	1
12	90005077	Clamp	2
13	10010313	Hose	1
14	10010311	Hose	1
15	10004753	Hose	1
16	50001582	Clamp	4
17	10004754	Hose	1
18	00000623	Nut GB/T 6182 M10	5
19	00001028	Washer GB/T 96.1 10	9
20	10004747	spacer	1
21	00000744	Screw GB/T 70.1 M8×40	4
22	00000619	Bolt GB/T 5783 M6×25	4
23	00000621	Washer GB/T 93 6	4
24	00000620	Washer GB/T 97.1 6	18
25	10003948	Fan	1
26	10004749	Cover	1
27	00001041	Bolt GB/T 5783 M10×40	4
28	10004739	Cooler bracket	1
29	00001984	Bolt GB/T 5782 M10×60	2

**109.1 Cooling System Assembly**

Item	Part No.	Description	Qty.
30	00000679	Washer GB/T 93 10	6
31	00000615	Washer GB/T 97.1 10	7
32	00002251	Bumper	3
33	10004745	Cooler	1
34	10010292	Cover	1
35	00001033	Nut GB/T 6182 M6	7
36	10010293	Cover	1
37	00000818	Bolt GB/T 5783 M6×16	7
38	10013435	Adjusting plate	1
39	10013434	Cooler bracket	1
40	00000678	Bolt GB/T 5783 M10×25	2
41	10013433	Cooler bracket	1
42	00002512	Bolt GB/T 5783 M10×70	1
43	00000674	Bolt GB/T 5783 M10×20	2

### 109.2 Cooling System Assembly (T4 Engine)



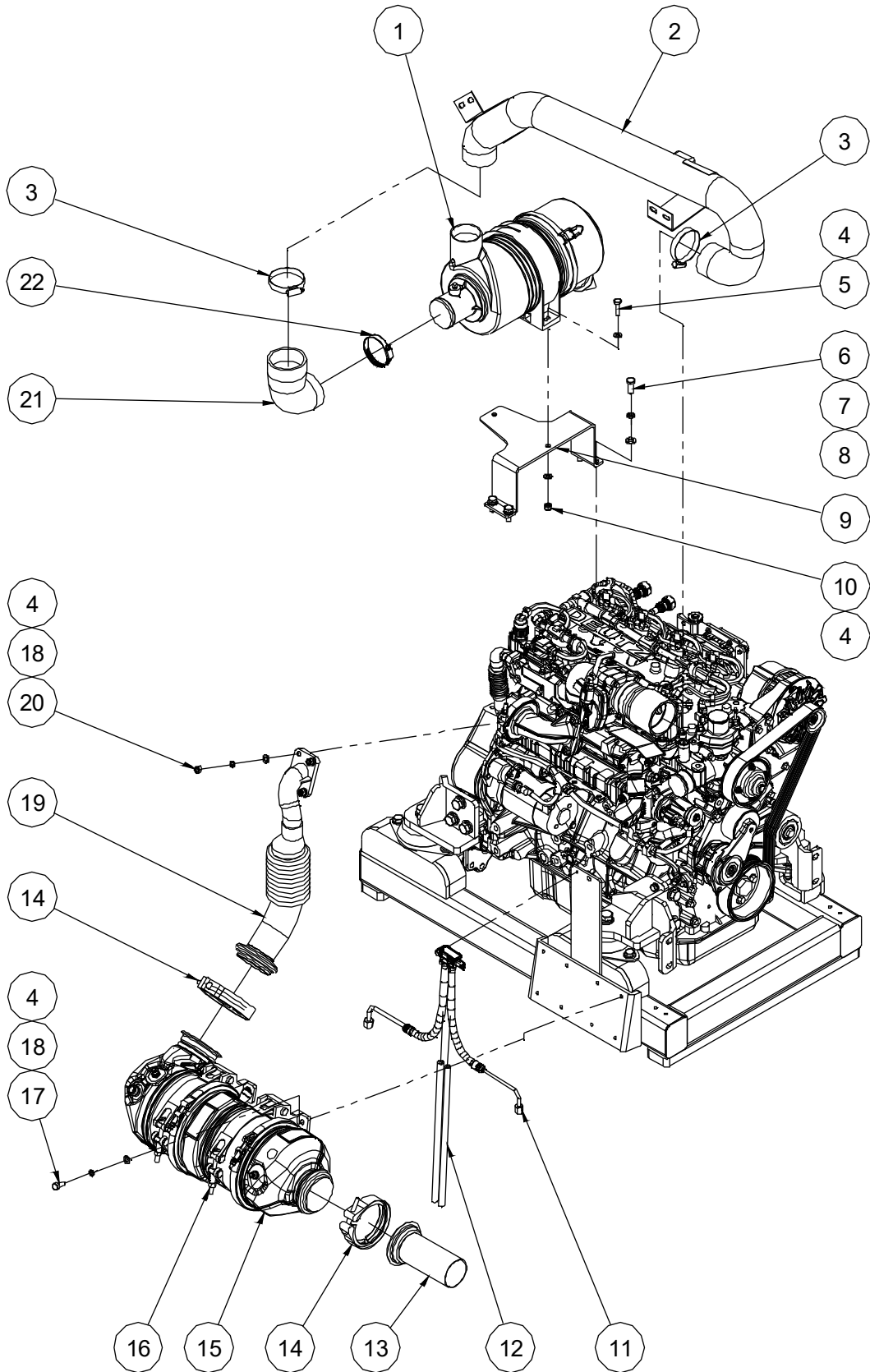
**109.2 Cooling System Assembly (T4 Engine)**

Item	Part No.	Description	Qty.
1	10014343	Bottle bracket	1
2	00000995	Bolt GB/T 5783 M8×30	4
3	00000609	Washer GB/T 93 8	18
4	00000608	Washer GB/T 97.1 8	10
5	92101233	Coolant recovery bottle	1
6	00000875	Bolt GB/T 5783 M8×20	10
7	00002000	Washer GB/T 96.1 8	4
8	00002595	Coolant level switch	1
9	10004758	Hose	1
10	50001592	Clamp	5
11	10010312	Hose	1
12	90005077	Clamp	2
13	10010313	Hose	1
14	10010311	Hose	1
15	10004753	Hose	1
16	50001582	Clamp	4
17	10004754	Hose	1
18	00000623	Nut GB/T 6182 M10	5
19	00001028	Washer GB/T 96.1 10	9
20	10004747	spacer	1
21	00000744	Screw GB/T 70.1 M8×40	4
22	00000619	Bolt GB/T 5783 M6×25	4
23	00000621	Washer GB/T 93 6	4
24	00000620	Washer GB/T 97.1 6	18
25	10003948	Fan	1
26	10004749	Cover	1
27	00001041	Bolt GB/T 5783 M10×40	4
28	10004739	Cooler bracket	1
29	00001984	Bolt GB/T 5782 M10×60	2

**109.2 Cooling System Assembly (T4 Engine)**

Item	Part No.	Description	Qty.
30	00000679	Washer GB/T 93 10	6
31	00000615	Washer GB/T 97.1 10	7
32	00002251	Bumper	3
33	10004745	Cooler	1
34	10010292	Cover	1
35	00001033	Nut GB/T 6182 M6	7
36	10010293	Cover	1
37	00000818	Bolt GB/T 5783 M6×16	7
38	10013435	Adjusting plate	1
39	10013434	Cooler bracket	1
40	00000678	Bolt GB/T 5783 M10×25	2
41	10013433	Cooler bracket	1
42	00002512	Bolt GB/T 5783 M10×70	1
43	00000674	Bolt GB/T 5783 M10×20	2

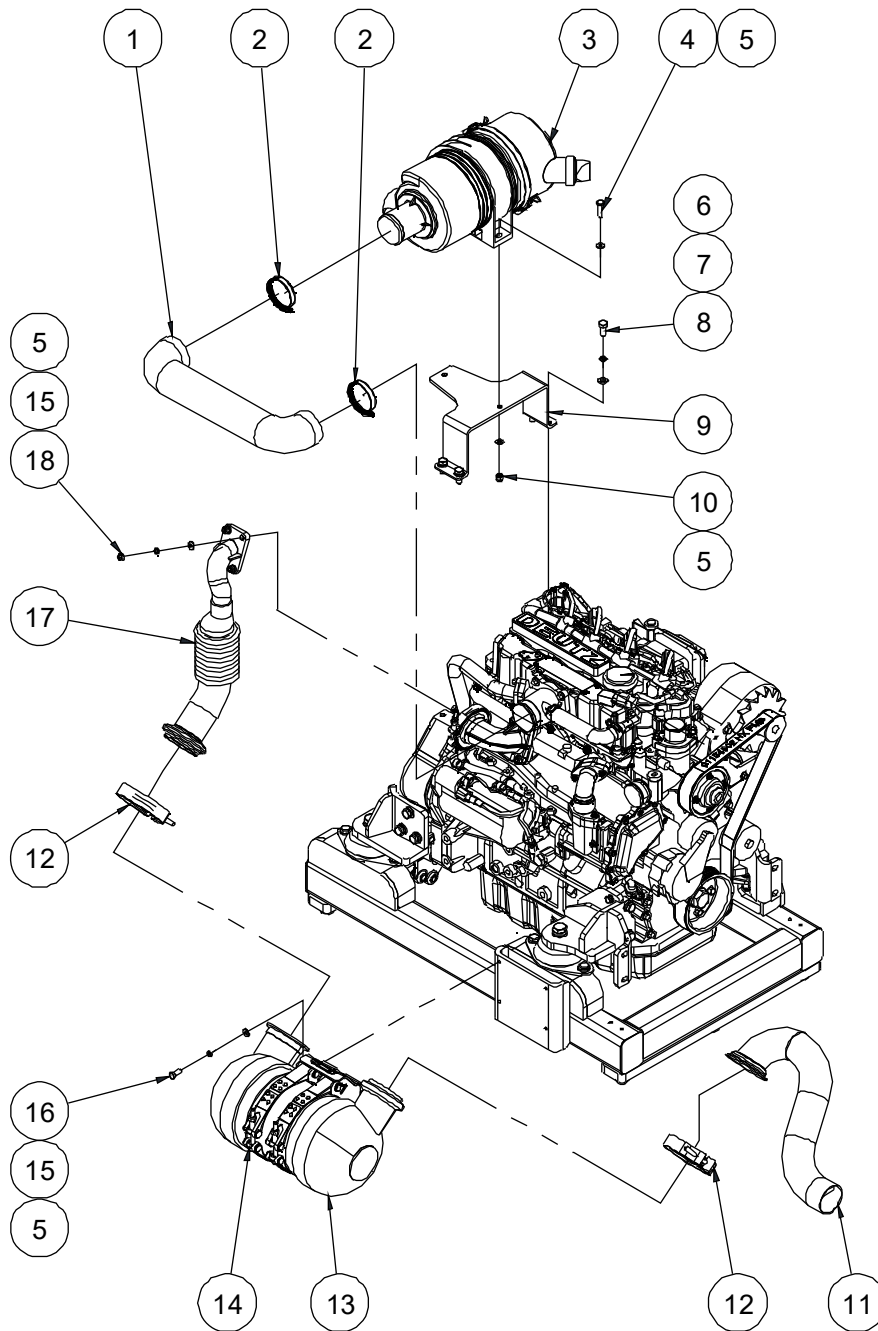
### 110.1 Intake System and Exhaust System



**110.1 Intake System and Exhaust System**

Item	Part No.	Description	Qty.
1	10003952	Air cleaner	1
--	10001393	Filter element (inner)	1
--	10004082	Filter element (outer)	1
2	10023971	inlet pipe weldment	1
3	00003733	Clamp	2
4	00000608	Washer GB/T 97.1 8	20
5	00000995	Bolt GB/T 5783 M8×30	2
6	00000678	Bolt GB/T 5783 M10×25	4
7	00000679	Washer GB/T 93 10	4
8	00000615	Washer GB/T 97.1 10	4
9	10004761	Air cleaner bracket	1
10	00001163	Nut GB/T 6182 M8	4
11	00006582	Differential pressure sensor	1
12	10013436	Hose	2
13	10010304	Exhaust pipe weldment	1
14	90029480	Clamp	2
15	00006324	Muffler	1
16	10010294	Muffler clip	2
17	00000875	Bolt GB/T 5783 M8×20	10
18	00000609	Washer GB/T 93 8	12
19	10010123	Exhaust pipe weldment	1
20	00000610	Nut GB/T 6170 M8	4
21	10010286	Hose	1
22	50001583	Clamp	1

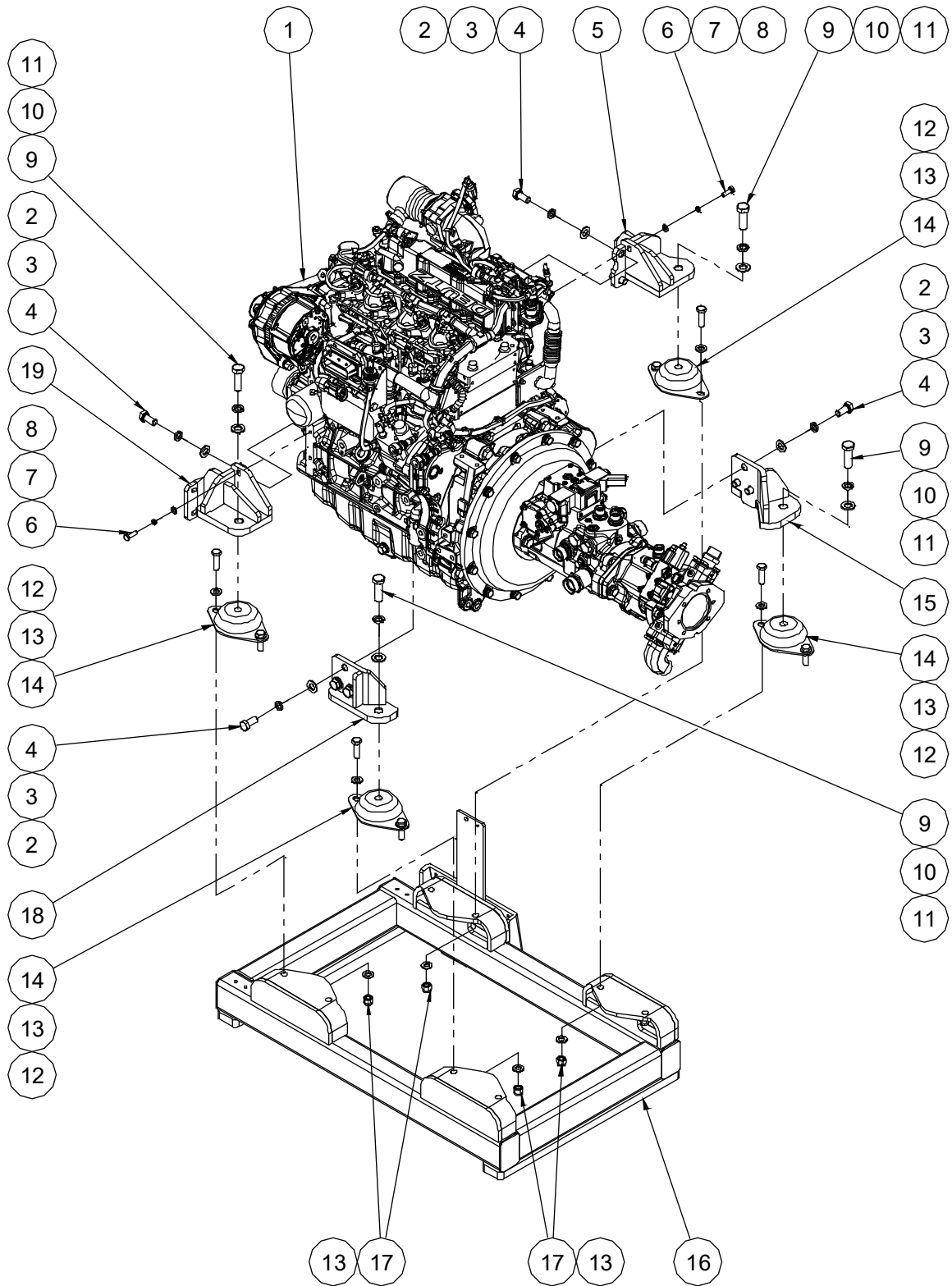
### 110.2 Intake System and Exhaust System (T4 Engine)



**110.2 Intake System and Exhaust System (T4 Engine)**

Item	Part No.	Description	Qty.
1	10004760	Hose	1
2	50001583	Clamp	2
3	10003952	Air cleaner	1
--	10001393	Filter element (inner)	1
--	10004082	Filter element (outer)	1
4	00000995	Bolt GB/T 5783 M8×30	2
5	00000608	Washer GB/T 97.1 8	12
6	00000615	Washer GB/T 97.1 10	4
7	00000679	Washer GB/T 93 10	4
8	00000678	Bolt GB/T 5783 M10×25	4
9	10004761	Air cleaner bracket	1
10	00001163	Nut GB/T 6182 M8	2
11	10024464	Exhaust pipe weldment	1
12	90029480	Clamp	2
13	90029479	Muffler	1
14	90029478	Muffler clip	1
15	00000609	Washer GB/T 93 8	8
16	00000875	Bolt GB/T 5783 M8×20	4
17	10010123	Exhaust pipe weldment	1
18	00000610	Nut GB/T 6170 M8	4

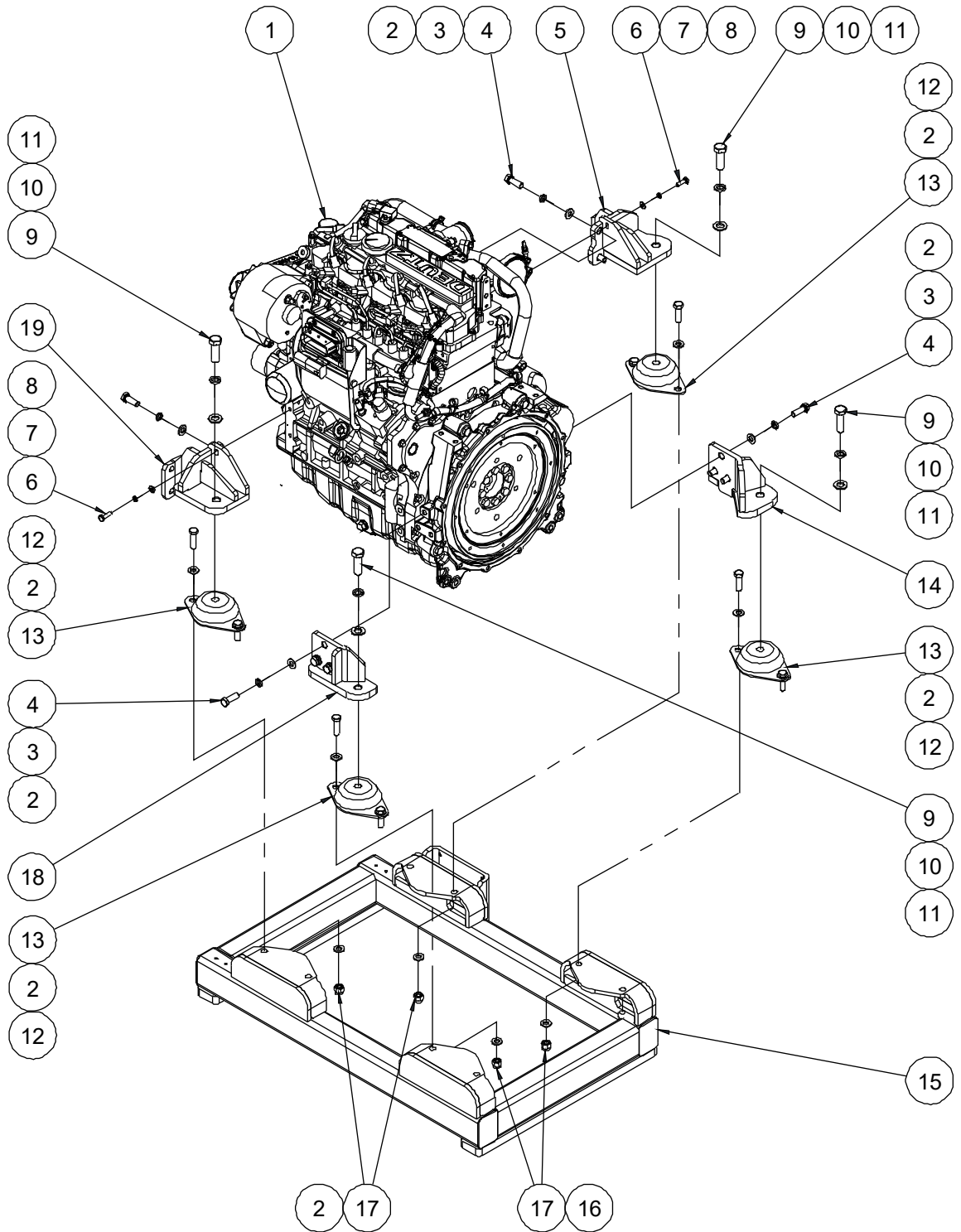
### 111.1 Engine Assembly Installation



**111.1 Engine Assembly Installation**

Item	Part No.	Description	Qty.
1		Engine assembly (refer to 112.1)	1
2	00001043	Washer GB/T 97.1 14	10
3	00001258	Washer GB/T 93 14	10
4	00001259	Bolt GB/T 5783 M14×30	10
5	10004710	Engine bracket	1
6	00000993	Bolt GB/T 5783 M8×25	2
7	00000609	Washer GB/T 93 8	2
8	00000608	Washer GB/T 97.1 8	2
9	00001036	Bolt GB/T 5783 M16×50	4
10	00001035	Washer GB/T 93 16	4
11	00000997	Washer GB/T 97.1 16	4
12	00001055	Bolt GB/T 5783 M12×40	8
13	00000814	Washer GB/T 97.1 12	16
14	10004820	Absorber	4
15	10004702	Engine bracket	1
16	10010295	Engine tray weldment	1
17	00001249	Nut GB/T 6182 M12	8
18	10004706	Engine bracket	1
19	10004715	Engine bracket	1

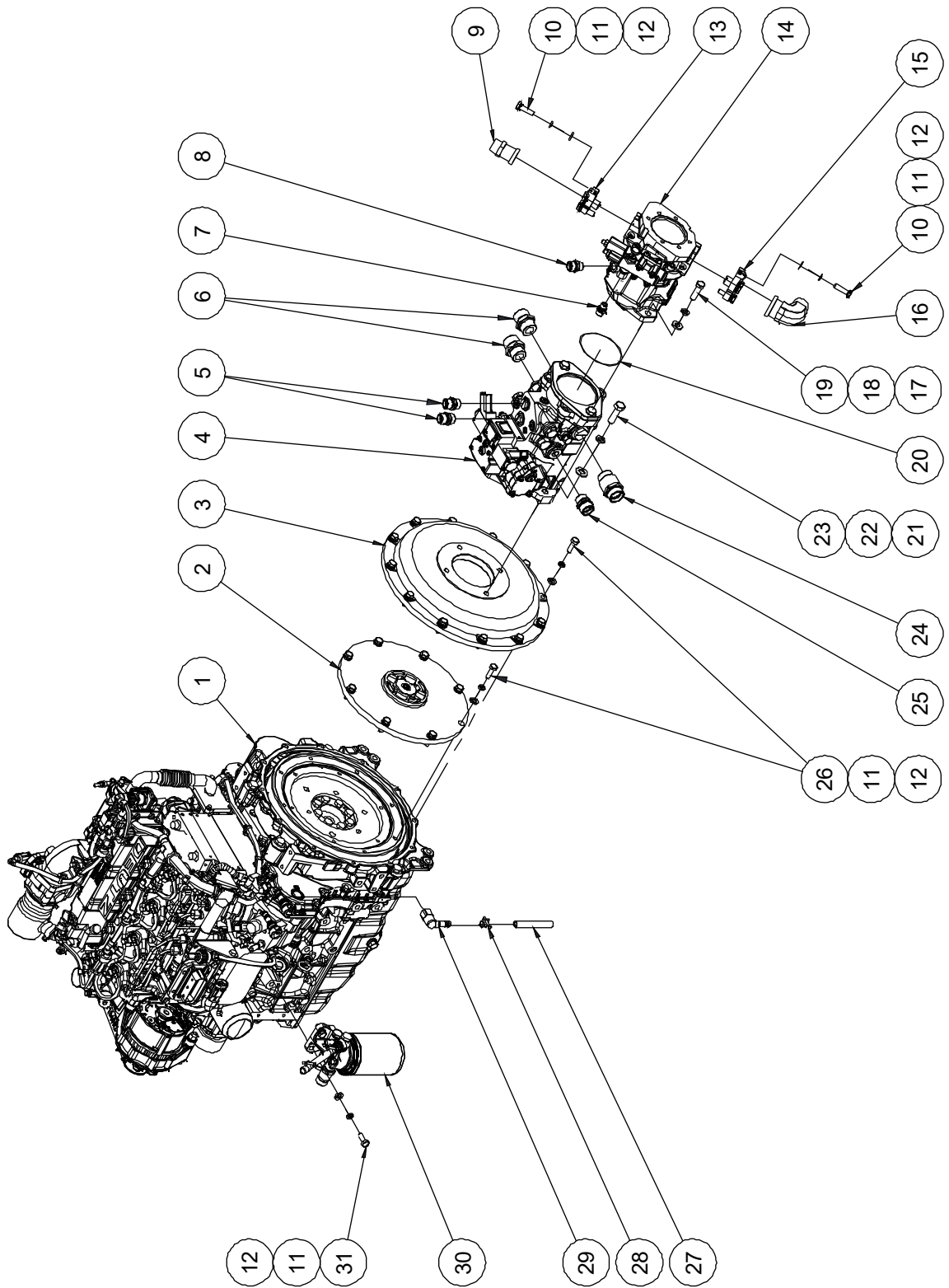
### 111.2 Engine Assembly Installation (T4 Engine)



**111.2 Engine Assembly Installation (T4 Engine)**

Item	Part No.	Description	Qty.
1		Engine assembly (refer to 112.1)	1
2	00000814	Washer GB/T 97.1 12	26
3	00000815	Washer GB/T 93 12	10
4	00002046	Bolt GB/T 5783 M12×35	10
5	10004710	Engine bracket	1
6	00000993	Bolt GB/T 5783 M8×25	2
7	00000609	Washer GB/T 93 8	2
8	00000608	Washer GB/T 97.1 8	2
9	00001036	Bolt GB/T 5783 M16×50	4
10	00001035	Washer GB/T 93 16	4
11	00000997	Washer GB/T 97.1 16	4
12	00001055	Bolt GB/T 5783 M12×40	8
13	10004820	Absorber	4
14	10004702	Engine bracket	1
15	10010227	Engine bracket	1
16	00001249	Nut GB/T 6182 M12	8
17	00000814	Washer GB/T 97.1 12	26
18	10004706	Engine bracket	1
19	10004715	Engine bracket	1

### 112.1 Engine Assembly



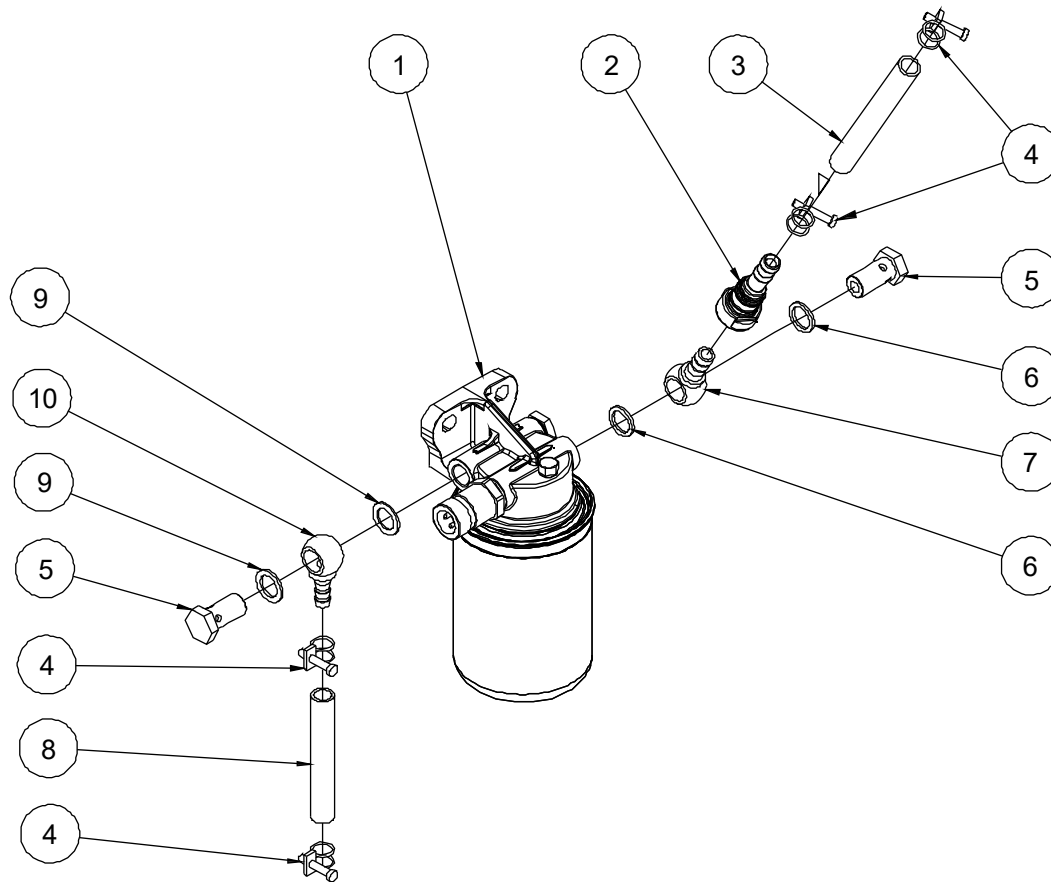
**112.1 Engine Assembly**

Item	Part No.	Description	Qty.
1	10008264	Engine (EU Stage V)	1
	00009421	Engine (T4)	1
2	00002745	Coupler	1
3	50004663	Adapter	1
4	00006621	Piston pump	1
5	00001776	Straight fitting	2
6	00001790	Straight fitting	2
7	00001290	Straight fitting	1
8	00001264	Straight fitting	1
9	00006180	Flange adapter	1
10	00000684	Bolt GB/T 5783 M10×35	8
11	00000679	Washer GB/T 93 10	30
12	00000615	Washer GB/T 97.1 10	30
13	90003625	Flange	1
14	90028882	Piston pump	1
15	90009892	Flange	1
16	00006427	Flange adapter	1
17	00000814	Washer GB/T 97.1 12	2
18	00000815	Washer GB/T 93 12	2
19	00001055	Bolt GB/T 5783 M12×40	2
20	00001691	O-ring As568A 101.32×1.78	1
21	00001043	Washer GB/T 97.1 14	2
22	00001258	Washer GB/T 93 14	2
23	00002217	Bolt GB/T 5783 M14×45	2
24	00006807	Straight fitting	1
25	00001780	Straight fitting	1
26	00000683	Bolt GB/T 5783 M10×30	20
27	10004772	Hose	1
28	50001592	Clamp	5

**112.1 Engine Assembly**

<b>Item</b>	<b>Part No.</b>	<b>Description</b>	<b>Qty.</b>
29	90023935	Fitting	1
30		Fuel filter assembly (refer to 113.1)	1
31	00000678	Bolt GB/T 5783 M10×25	2

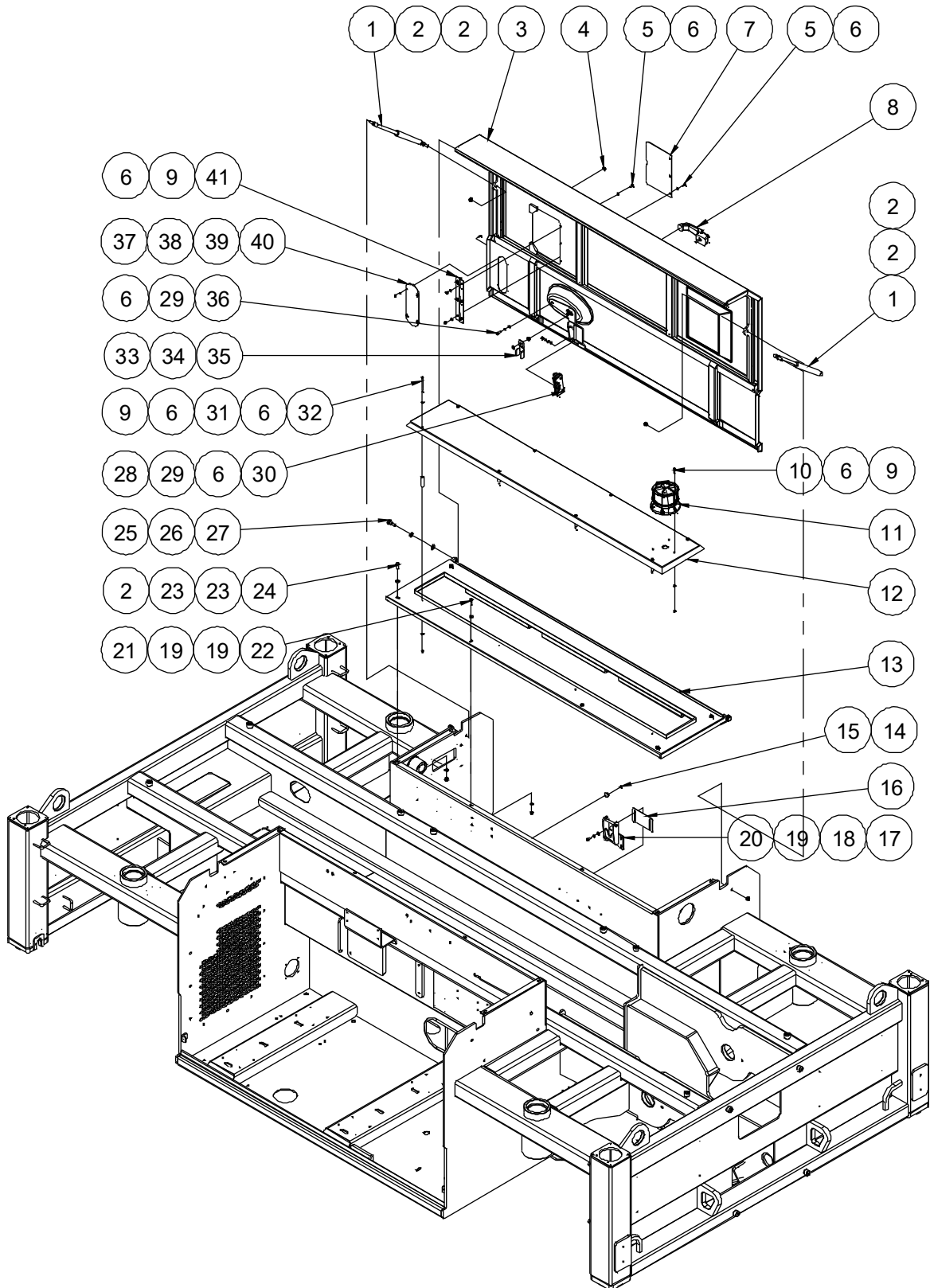
**113.1 Fuel Filter Assembly**



**113.1 Fuel Filter Assembly**

Item	Part No.	Description	Qty.
1	90029470	Fuel filter	1
--	00005078	Filter element	1
2	92048997	Fitting	1
3	10013270	Hose	1
4	50001592	Clamp	4
5	90007329	Fitting	2
6	00001335	Washer JB/T 982 16	2
7	90023862	Fitting	1
8	10013269	Hose	1
9	90007331	Washer	2
10	90007330	Fitting	1

**114.1 Left Tray Door Installation**



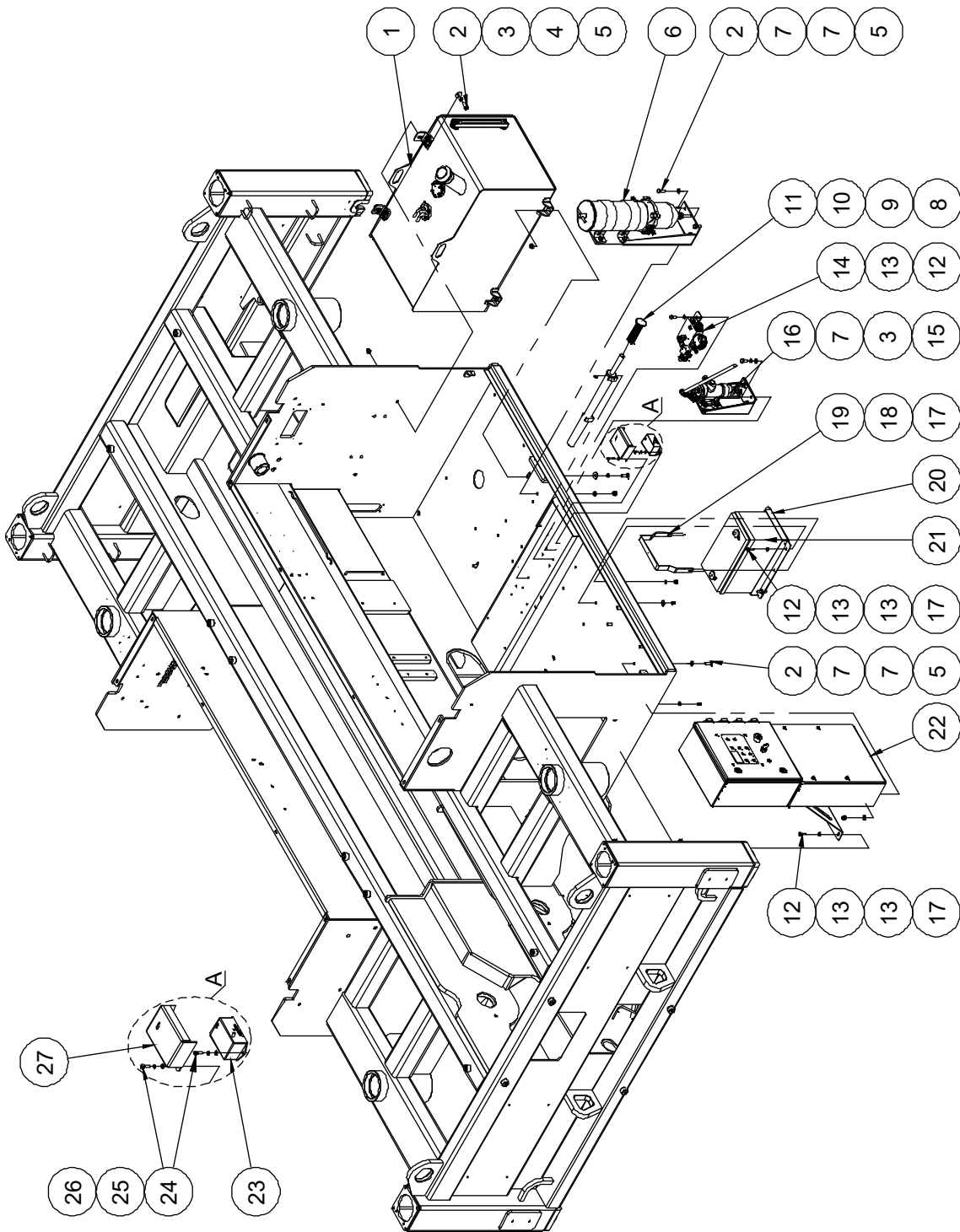
**114.1 Left Tray Door Installation**

Item	Part No.	Description	Qty.
1	10010148	Gas shock	2
2	00000623	Nut GB/T 6182 M10	8
3	10023951	Left door	1
4	10002550	Magnet	2
5	00001986	Screw GB/T 818 M6×16 - H	6
6	00000620	Washer GB/T 97.1 6	36
7	10010265	Fuel tank door	1
8	50000524	Handle	1
9	00001033	Nut GB/T 6182 M6	17
10	00000774	Screw GB/T 70.1 M6×20	3
11	00004883	Beacon	1
12	10010986	Cover	1
13	10023949	Top panel	1
14	10000376	Bumper	2
15	00002026	Screw GB/T 818 M4×10 - H	2
16	10010444	Washer	1
17	00000875	Bolt GB/T 5783 M8×20	4
18	00000609	Washer GB/T 93 8	4
19	00000608	Washer GB/T 97.1 8	8
20	10010254	Lock clasp	1
21	00001163	Nut GB/T 6182 M8	2
22	00000993	Bolt GB/T 5783 M8×25	2
23	00000615	Washer GB/T 97.1 10	8
24	00000678	Bolt GB/T 5783 M10×25	4
25	00001043	Washer GB/T 97.1 14	2
26	00001258	Washer GB/T 93 14	2
27	10010215	Pin	2
28	00000619	Bolt GB/T 5783 M6×25	2
29	00000621	Washer GB/T 93 6	5

**114.1 Left Tray Door Installation**

Item	Part No.	Description	Qty.
30	10000481	Latch (left)	1
31	10010987	Spacer sleeve	8
32	00007023	Bolt GB/T 5782 M6×80	8
33	50000478	Threaded sleeve	1
34	50000479	Nut	1
35	10016135	Bracket	1
36	00000743	Bolt GB/T 5783 M6×20	3
37	00005259	Screw GB/T 819 M4×14 - H	4
38	00000778	Washer GB/T 97.1 4	4
39	00001236	Nut GB/T 889.1 M4	4
40	10010264	PC plate	1
41	10002660	Hinge	1

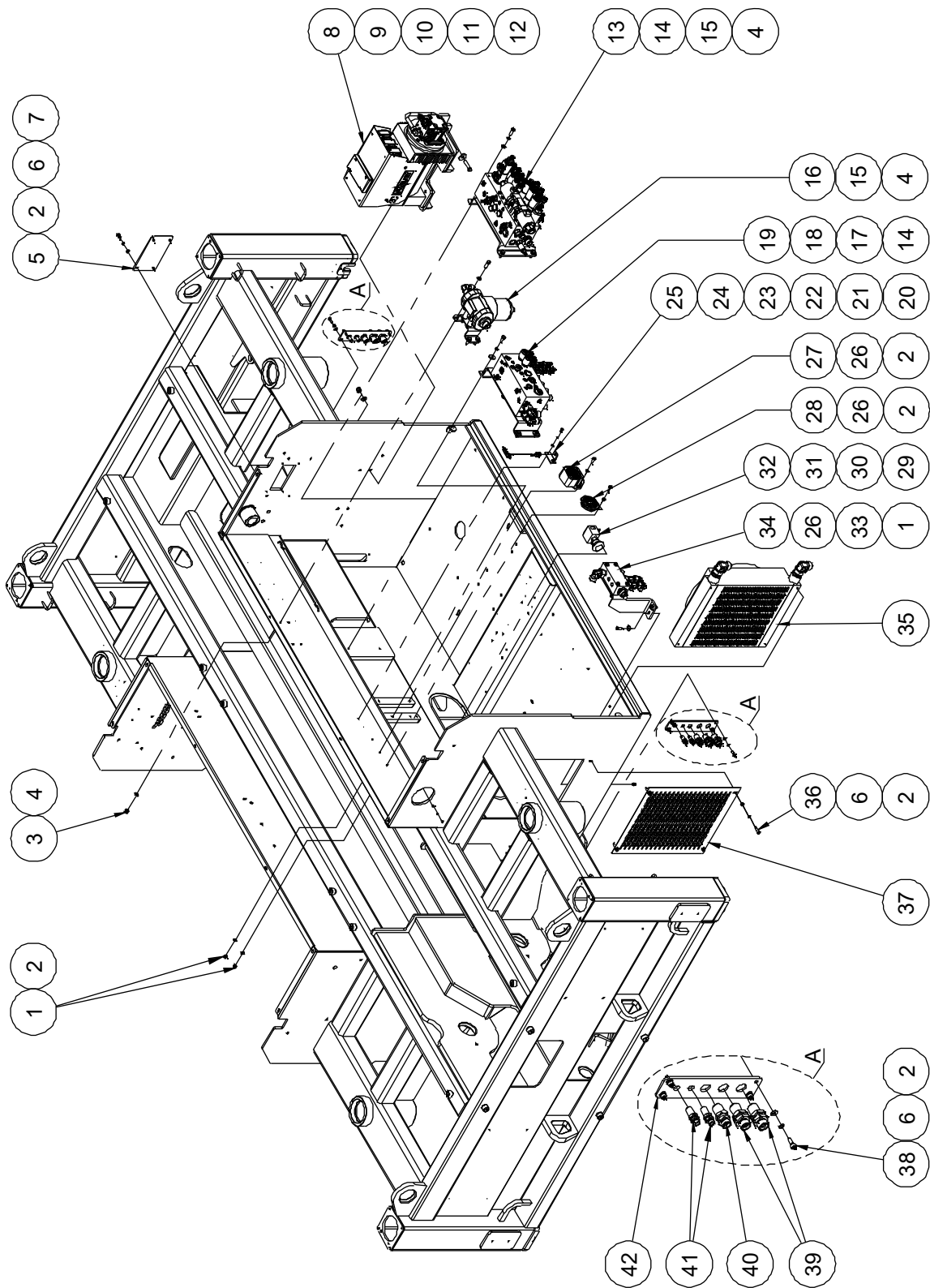
### 115.1 Left Tray Assembly 1



**115.1 Left Tray Assembly 1**

Item	Part No.	Description	Qty.
1		Fuel tank assembly (refer to 117.1)	1
2	00000683	Bolt GB/T 5783 M10×30	12
3	00000679	Washer GB/T 93 10	8
4	00001028	Washer GB/T 96.1 10	4
5	00000623	Nut GB/T 6182 M10	12
6		Oil-water separator assembly (option) (refer to 118.1)	1
7	00000615	Washer GB/T 97.1 10	20
8	10004795	Handle	1
9	00001824	Clip 32	2
10	00002002	Screw GB/T 70.1 M4×10	2
11	10004798	Handle grip	1
12	00000993	Bolt GB/T 5783 M8×25	8
13	00000608	Washer GB/T 97.1 8	14
14		Flow control manifold (option) (refer to 119.1)	1
15	00000678	Bolt GB/T 5783 M10×25	4
16		Manual pump assembly (refer to 120.1)	1
17	00001163	Nut GB/T 6182 M8	8
18	00002000	Washer GB/T 96.1 8	2
19	10010146	Battery strap	1
20	10010136	Battery box weldment	1
21	00004485	Battery	1
22		Ground control installation (refer to 121.1)	1
23	00003962	Tilt sensor	1
24	00001246	Screw GB/T 70.1 M5×16	4
25	00000606	Washer GB/T 93 5	4
26	00000605	Washer GB/T 97.1 5	4
27	10003942	Tilt sensor cover	1

### 116.1 Left Tray Assembly 2



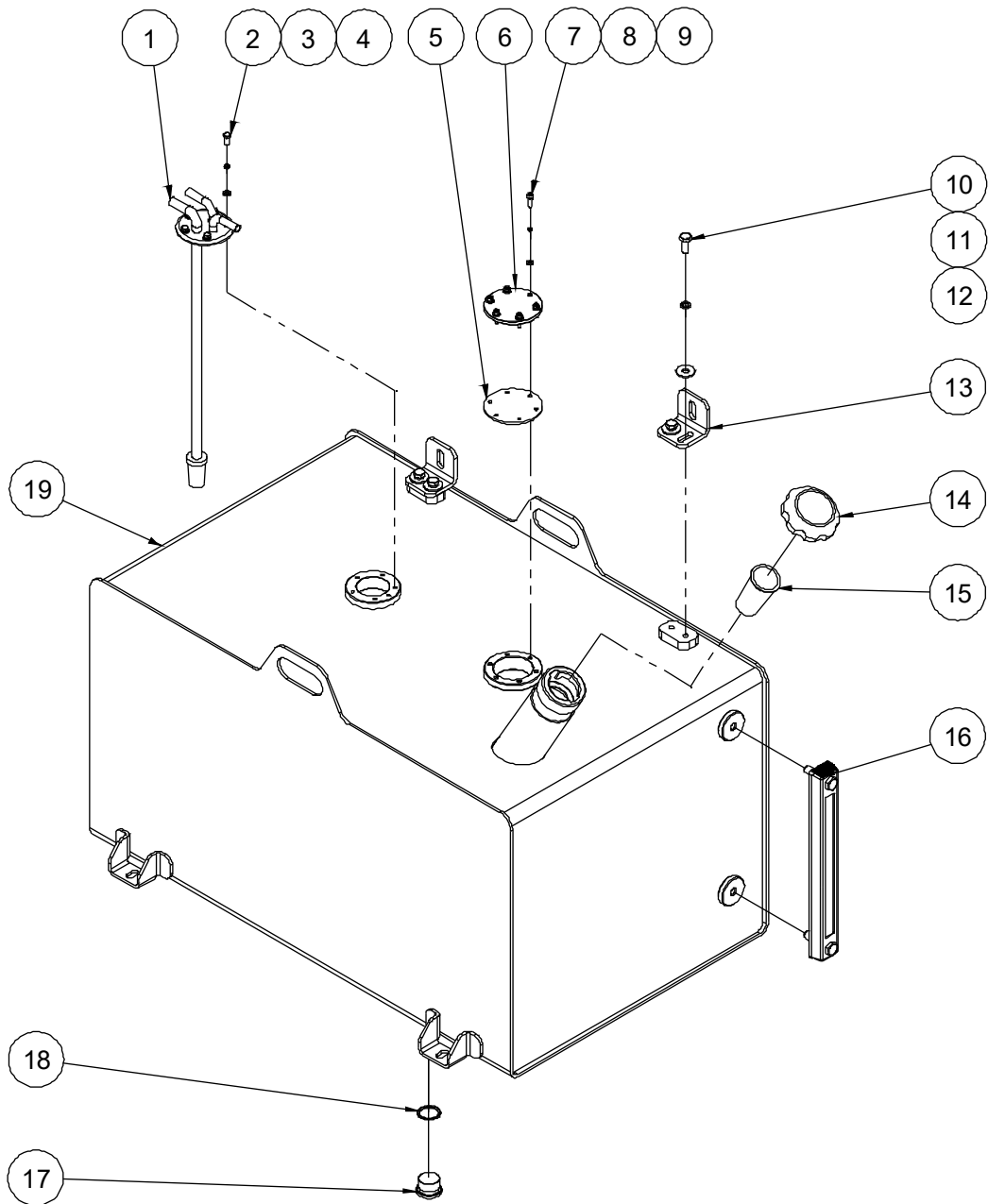
**116.1 Left Tray Assembly 2**

Item	Part No.	Description	Qty.
1	00001163	Nut GB/T 6182 M8	5
2	00000608	Washer GB/T 97.1 8	22
3	00000623	Nut GB/T 6182 M10	4
4	00000615	Washer GB/T 97.1 10	12
5	10010207	Plate	1
6	00000609	Washer GB/T 93 8	16
7	00001063	Bolt GB/T 5783 M8×16	4
8		Alternator assembly (option) (refer to 124.1)	1
9	00004433	Bolt GB/T 5782 M12×50	4
10	00002601	Washer GB/T 96.1 12	4
11	00000814	Washer GB/T 97.1 12	4
12	00001249	Nut GB/T 6182 M12	4
13		Function manifold assembly (refer to 125.1)	1
14	00000679	Washer GB/T 93 10	8
15	00000683	Bolt GB/T 5783 M10×30	8
16		High pressure line filter assembly (refer to 126.1)	1
17	00001028	Washer GB/T 96.1 10	4
18	00000678	Bolt GB/T 5783 M10×25	4
19		Drive manifold assembly (refer to 127.1)	1
20	00000745	Bolt GB/T 5783 M6×12	2
21	00000621	Washer GB/T 93 6	2
22	00000620	Washer GB/T 97.1 6	2
23	00006828	Wrench GB/T 5356-3	1
24	00001825	Water-proof joint M12	1
25	10012522	Bracket	1
26	00000993	Bolt GB/T 5783 M8×25	5
27	00004438	Alarm	1
28	00002212	Horn	1
29	00000607	Screw GB/T 818 M5×12 - H	2

**116.1 Left Tray Assembly 2**

Item	Part No.	Description	Qty.
30	00000606	Washer GB/T 93 5	2
31	00000605	Washer GB/T 97.1 5	2
32	00000655	Power switch	1
33	00002000	Washer GB/T 96.1 8	2
34		Hydraulic hoses manifold assembly (refer to 128.1)	1
35		Oil cooler assembly (refer to 129.1)	1
36	00002488	Bolt GB/T 5783 M8×35	4
37	10020179	Oil cooler cover	1
38	00001061	Screw GB/T 70.1 M8×20	8
39	00002145	Straight fitting	4
40	00002138	Straight fitting	2
41	00002135	Straight fitting	4
42	10010270	Plate	2

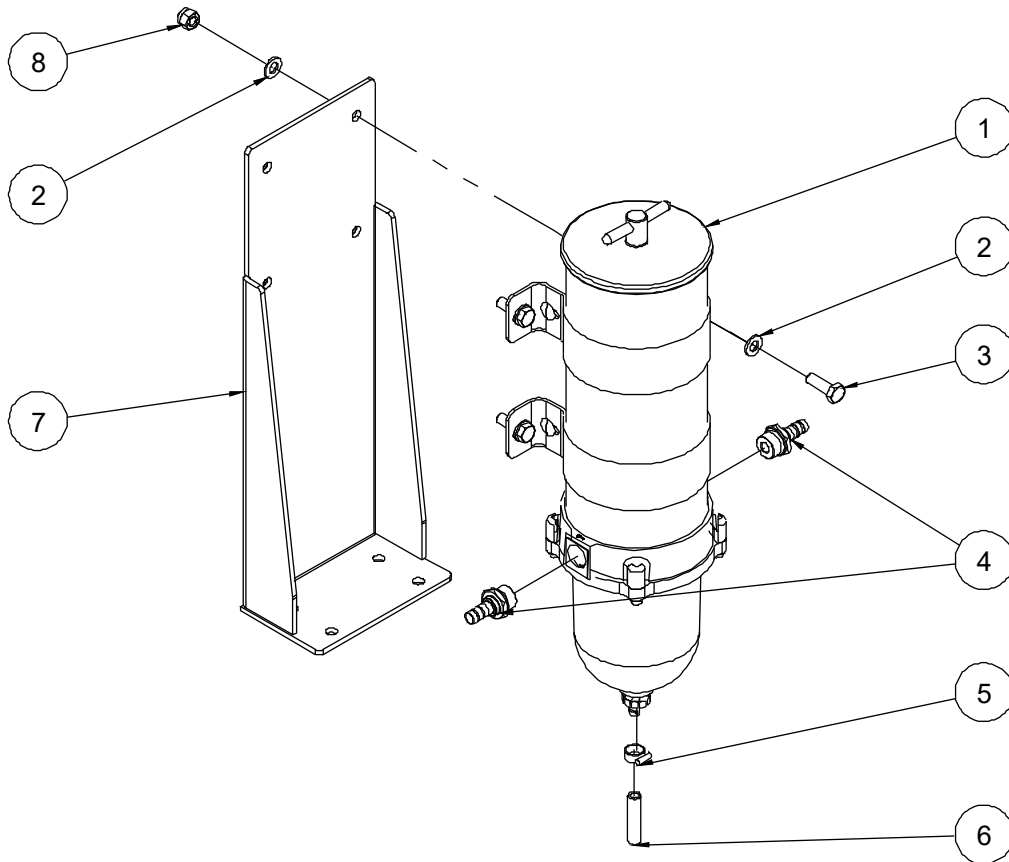
### 117.1 Fuel Tank Assembly



**117.1 Fuel Tank Assembly**

Item	Part No.	Description	Qty.
1	10011554	Pipe	1
2	00002246	Bolt GB/T 5783 M5×12	5
3	00000606	Washer GB/T 93 5	5
4	00000605	Washer GB/T 97.1 5	5
5	10004793	Rubber pad	1
6	10004792	Cover	1
7	00000604	Screw GB/T 70.1 M4×16	6
8	00000779	Washer GB/T 93 4	6
9	00000778	Washer GB/T 97.1 4	6
10	00000875	Bolt GB/T 5783 M8×20	4
11	00000609	Washer GB/T 93 8	4
12	00002000	Washer GB/T 96.1 8	4
13	50003005	Bracket	2
14	00002153	Tank cover	1
15	00002154	Filter web	1
16	00008091	Level gauge	1
17	50000197	G3/4 Plug	1
18	50000523	Washer	1
19	10011804	Fuel tank weldment	1

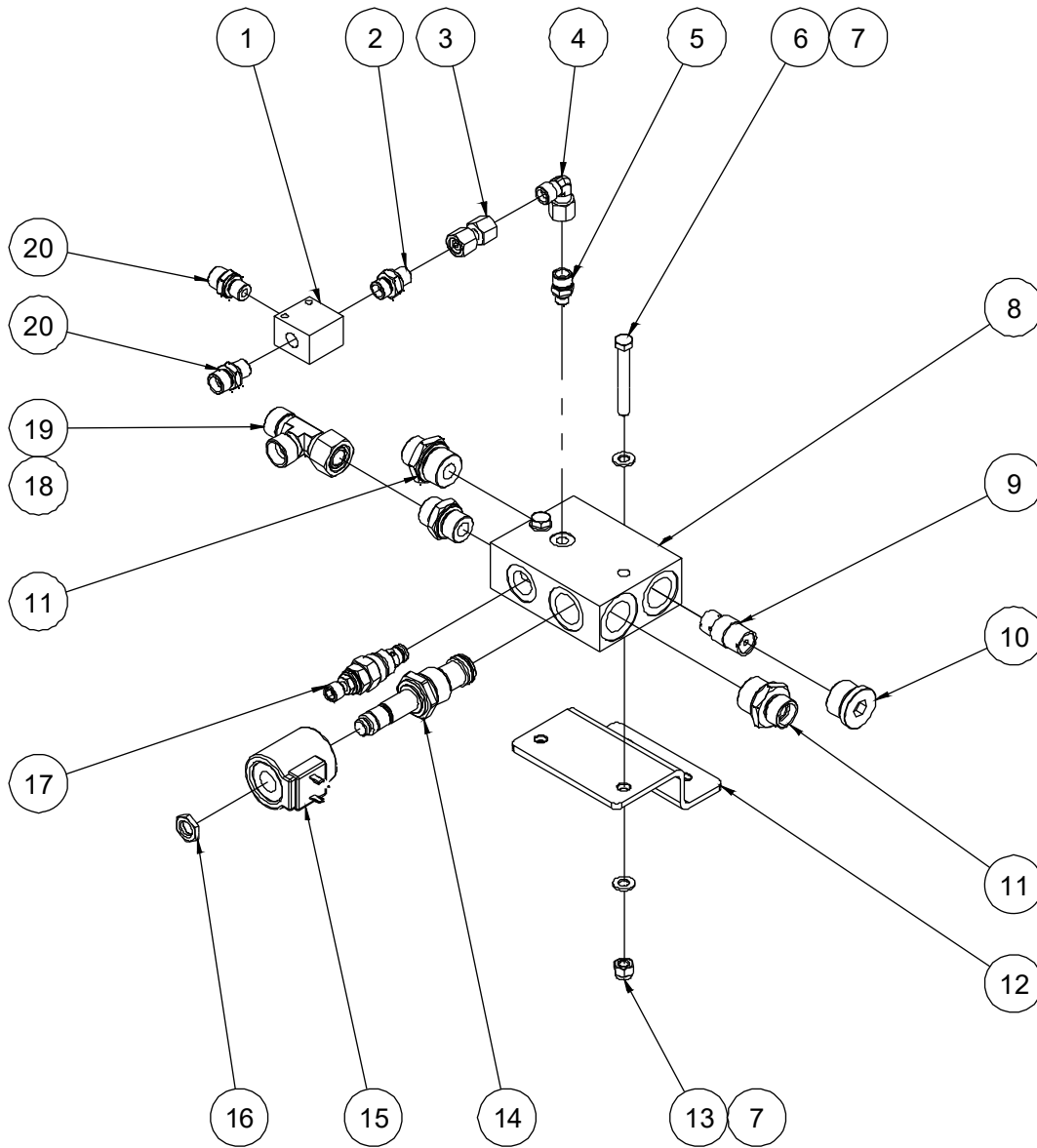
**118.1 Oil-water Separator Assembly (Option)**



**118.1 Oil-water Separator Assembly (Option)**

Item	Part No.	Description	Qty.
1	92000170	Oil-water separator	1
2	00000615	Washer GB/T 97.1 10	8
3	00000683	Bolt GB/T 5783 M10×30	4
4	92000108	Pipe Fitting	2
5	92100158	Clamp	1
6	10016487	Hose	1
7	10016126	Oil-water separator bracket	1
8	00000623	Nut GB/T 6182 M10	4

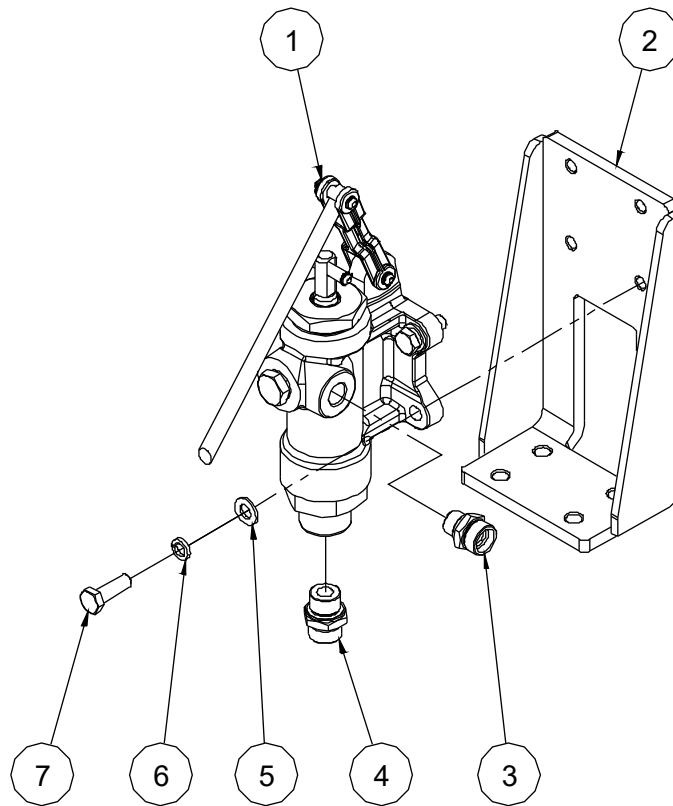
**119.1 Flow Control Manifold (option)**



**119.1 Flow Control Manifold (option)**

Item	Part No.	Description	Qty.
1	00005196	Shuttle valve	1
2	00001316	Straight fitting	1
3	00005208	Straight fitting	1
4	00001832	Elbow	1
5	00001314	Straight fitting	1
6	00001162	Bolt GB/T 5782 M8×60	2
7	00000608	Washer GB/T 97.1 8	4
8	00005385	Valve body	1
9	00008109	Flow control valve (L) (matching with Alternator 110V)	1
	00008110	Flow control valve (L) (matching with Alternator 220V)	1
10	00001115	Plug VSTI3/4ED	1
11	00001508	Straight fitting	2
12	10007389	Bracket	1
13	00001163	Nut GB/T 6182 M8	2
14	00005198	Solenoid valve spool (Ma)	1
15	00003287	Coil	1
16	00003017	Nut	1
17	00003780	Relief valve (RV5)	1
18	00001506	Straight fitting	1
19	00001240	Tee fitting	1
20	00001318	Straight fitting	2

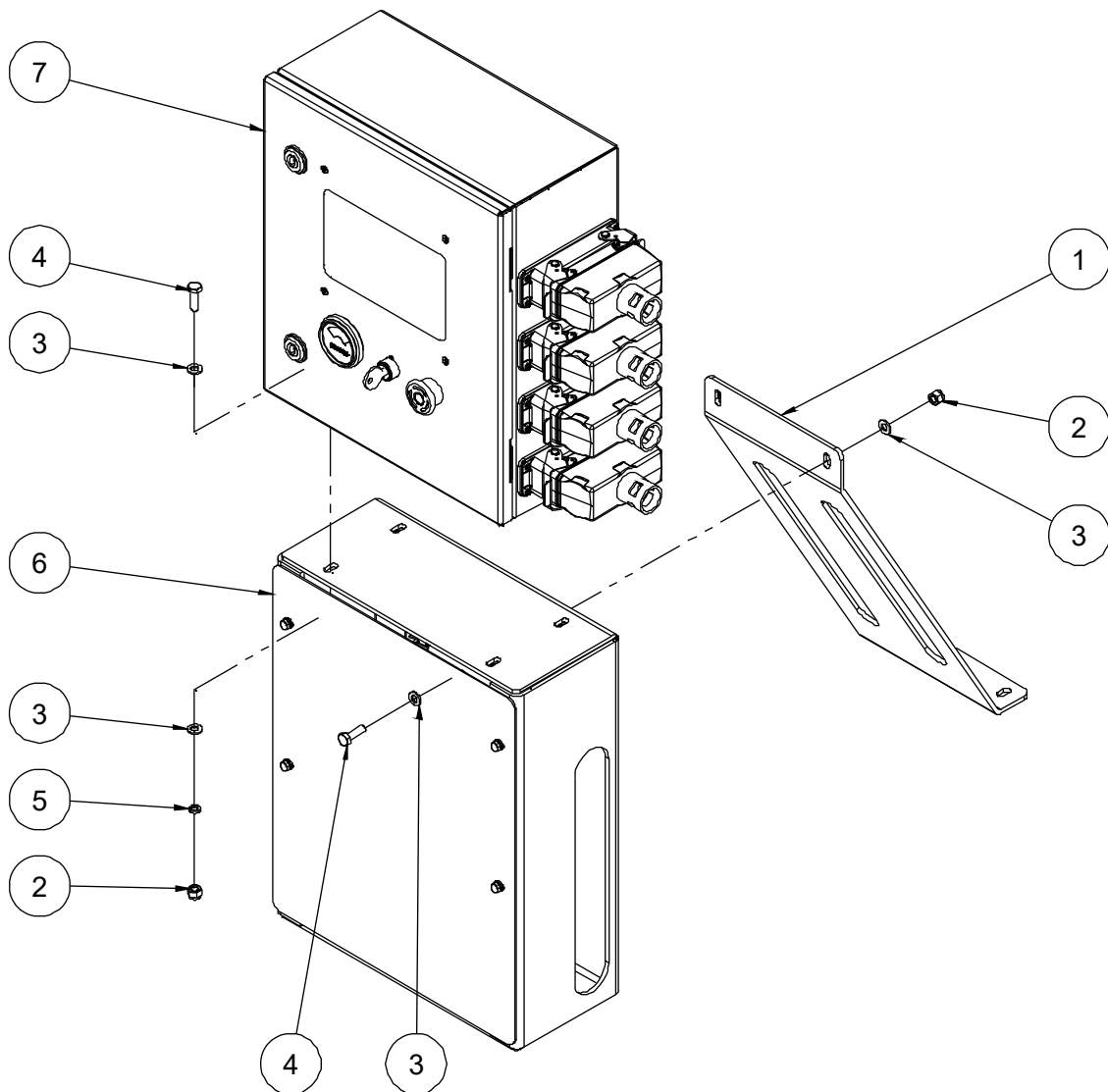
## 120.1 Manual Pump Assembly



## 120.1 Manual Pump Assembly

Item	Part No.	Description	Qty.
1	00000315	Manual pump	1
2	10004781	Manual pump bracket	1
3	00001507	Straight fitting	1
4	00001506	Straight fitting	1
5	00000615	Washer GB/T 97.1 10	4
6	00000679	Washer GB/T 93 10	4
7	00000683	Bolt GB/T 5783 M10×30	4

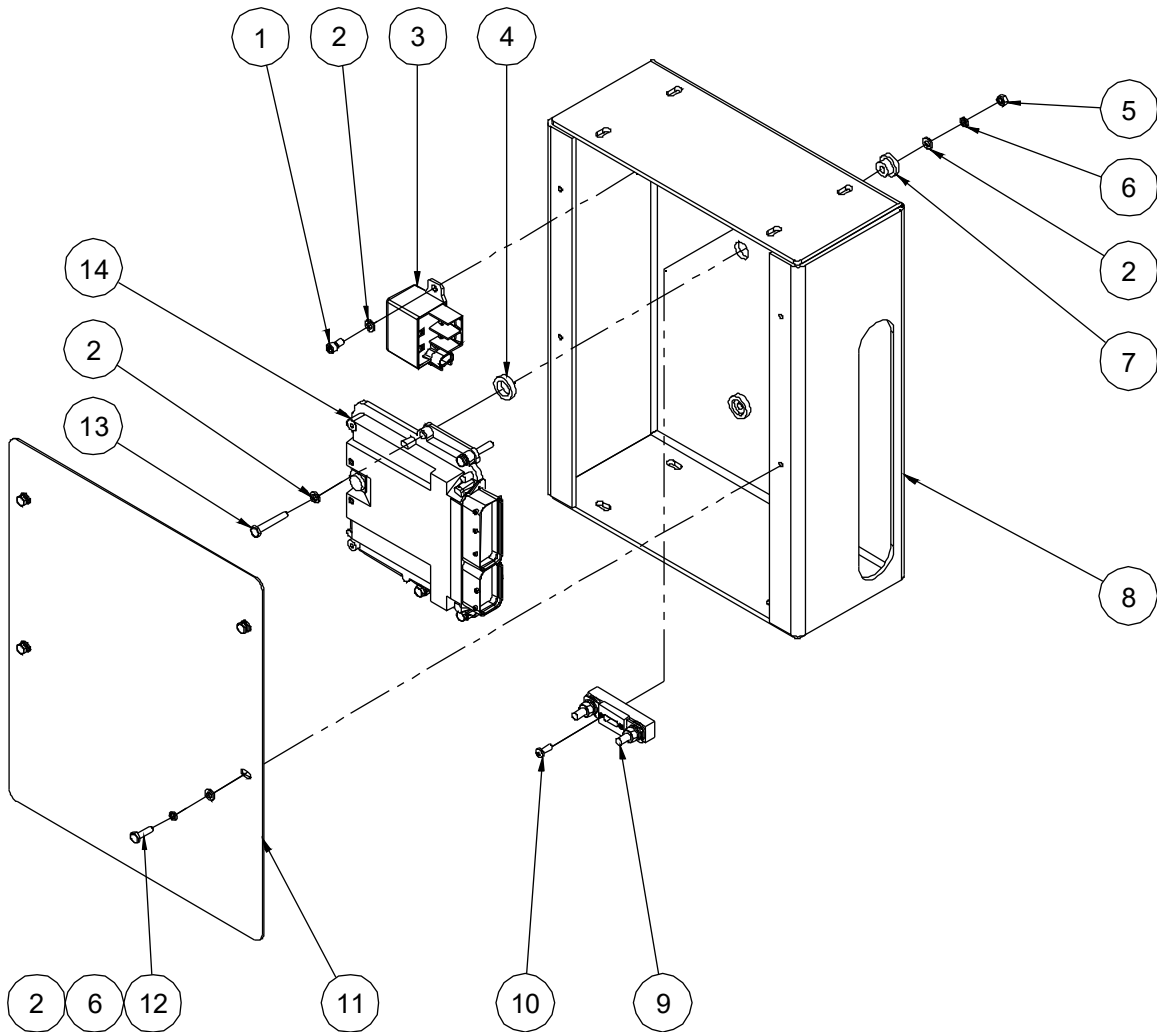
**121.1 Ground Control Installation**



**121.1 Ground Control Installation**

Item	Part No.	Description	Qty.
1	10009589	Bracket	1
2	00001163	Nut GB/T 6182 M8	6
3	00000608	Washer GB/T 97.1 8	12
4	00000993	Bolt GB/T 5783 M8×25	6
5	00000609	Washer GB/T 93 8	4
6		Ground control box support assembly (refer to 122.1)	1
7		Ground control box assembly (refer to 123.1)	1

### 122.1 Ground Control Box Support Assembly



**122.1 Ground Control Box Support Assembly**

Item	Part No.	Description	Qty.
1	00002029	Screw GB/T 70.1 M6×12	2
2	00000620	Washer GB/T 97.1 6	14
3	00002918	DC Contactor	1
4	50002380	Nylon insulator	4
5	00002247	Nut GB/T 6170 M6	4
6	00000621	Washer GB/T 93 6	8
7	50002379	Nylon insulator	4
8	10013765	Ground control box support	1
9	00002074	150A Fuse assembly	1
--	00002562	150A Fuse	1
--	00000757	Fuse seat	1
10	00002313	Screw GB/T 818 M5×14 - H	2
11	10005205	Cover	1
12	00000743	Bolt GB/T 5783 M6×20	4
13	00002559	Bolt GB/T 5783 M6×40	4
14	00002594	ECU	1



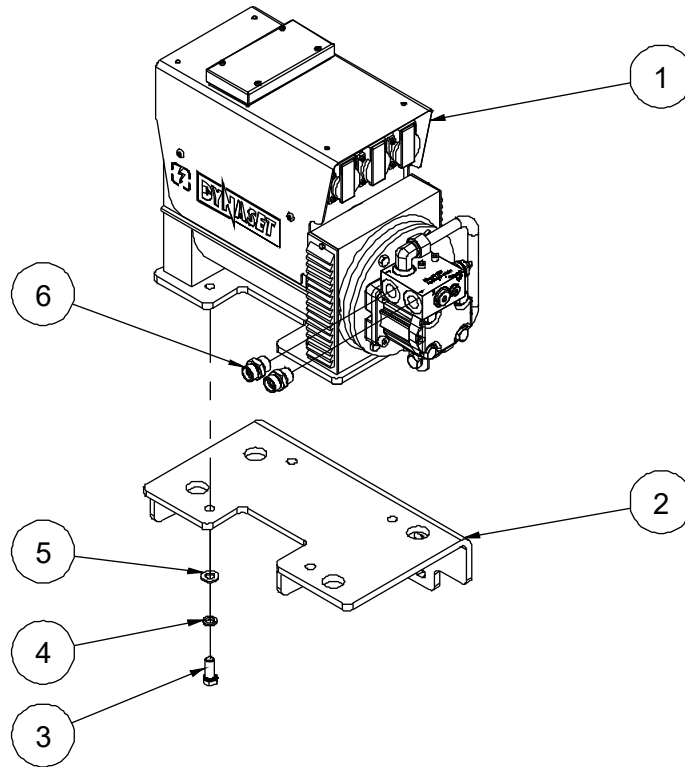
**123.1 Ground Control Box Assembly**

Item	Part No.	Description	Qty.
1	10020084	Ground control box cover	1
2	00000742	Nut GB/T 889.1 M6	6
3	00007940	Controller	1
4	00000778	Washer GB/T 97.1 4	24
5	00000779	Washer GB/T 93 4	20
6	00001236	Nut GB/T 889.1 M4	24
7	10013771	Ground control box weldment	1
8	00000732	Housing	4
9	00000604	Screw GB/T 70.1 M4×16	16
10	50000217	Hinge	2
11	00005259	Screw GB/T 819 M4×14 - H	4
12	10004977	Terminal rail	1
13	00000605	Washer GB/T 97.1 5	10
14	00000606	Washer GB/T 93 5	10
15	00002391	Screw GB/T 818 M5×8 - H	10
16	00000660	End, Fixation	2
17	00000659	End, Straight	6
18	00002593	End, Plate	1
19	00000647	Relay	1
20	00000620	Washer GB/T 97.1 6	8
21	10013770	Mounting plate	1
22	00000621	Washer GB/T 93 6	4
23	00002597	Circuit breaker	2
24	00002208	Circuit breaker	1
25	10004973	Circuit breaker bracket	1
26	00002206	Relay	5
27	00000923	Emergency stop switch	1
--	00000754	Red mushroom head	1
--	00000752	Base with 1 NC contact	1

**123.1 Ground Control Box Assembly**

<b>Item</b>	<b>Part No.</b>	<b>Description</b>	<b>Qty.</b>
--	00001245	NC contact	1
28	00001243	Key switch (key removable in off position)	1
	00003356	Key switch (key removable in all position)	1
--	00003050	Key	1
29	00003162	LED (red)	1
30	00001296	Latch, Column	2
31	00005290	Relay	1

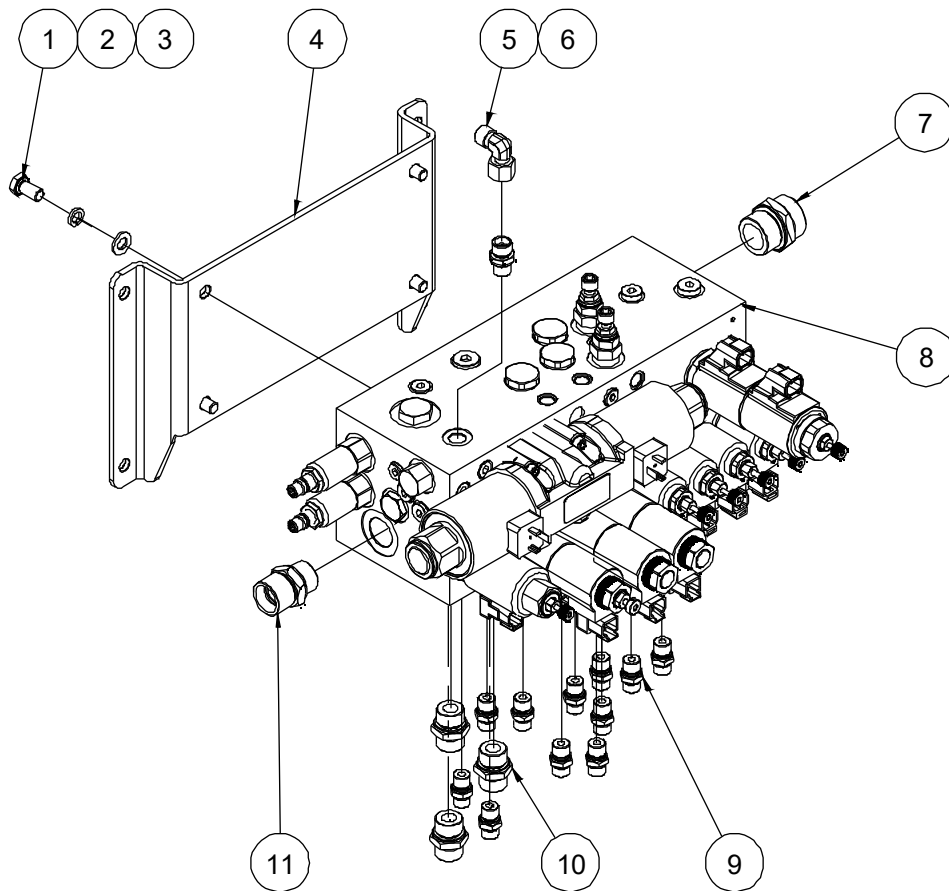
**124.1 Alternator Assembly (option)**



**124.1 Alternator Assembly (option)**

Item	Part No.	Description	Qty.
1	00008004	Alternator (110V)	1
	00008094	Alternator (220V)	1
2	10016463	Alternator bracket	1
3	00002059	Bolt GB/T 5783 M12×30	1
4	00000815	Washer GB/T 93 12	1
5	00000814	Washer GB/T 97.1 12	1
6	00001506	Straight fitting	2

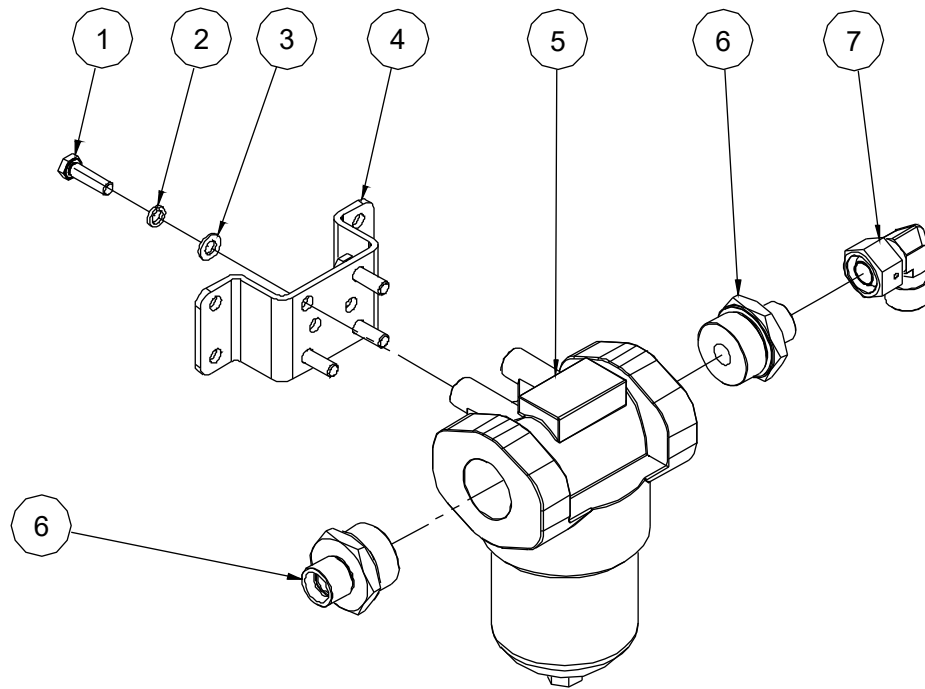
### 125.1 Function Manifold Assembly



### 125.1 Function Manifold Assembly

Item	Part No.	Description	Qty.
1	00000674	Bolt GB/T 5783 M10×20	4
2	00000679	Washer GB/T 93 10	4
3	00000615	Washer GB/T 97.1 10	4
4	10004810	Function manifold bracket	1
5	00001833	Elbow	1
6	00001290	Straight fitting	1
7	00002071	Straight fitting	1
8		Function manifold (refer to 404.1)	1
9	00001282	Straight fitting	11
10	00001266	Straight fitting	3
11	00004466	Straight fitting	1

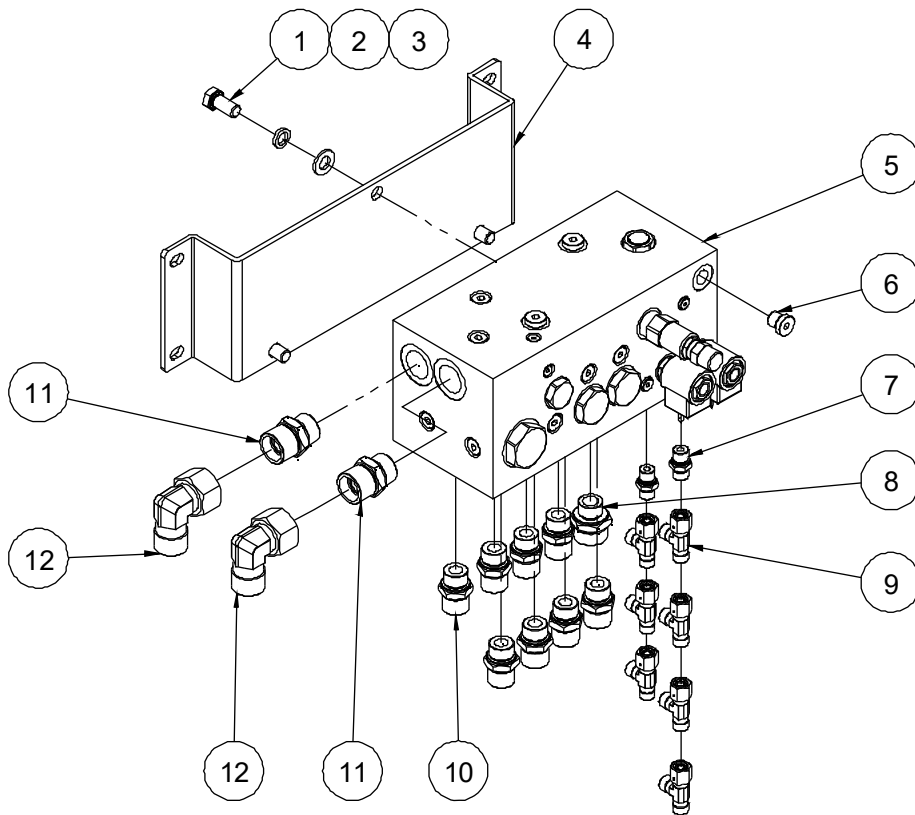
**126.1 High Pressure Line Filter Assembly**



**126.1 High Pressure Line Filter Assembly**

Item	Part No.	Description	Qty.
1	00000684	Bolt GB/T 5783 M10×35	4
2	00000679	Washer GB/T 93 10	4
3	00000615	Washer GB/T 97.1 10	4
4	50002311	Filter bracket	1
5	00001871	High pressure line filter	1
--	00004696	Filter element	1
6	00003963	Straight fitting	2
7	00001842	Elbow	1

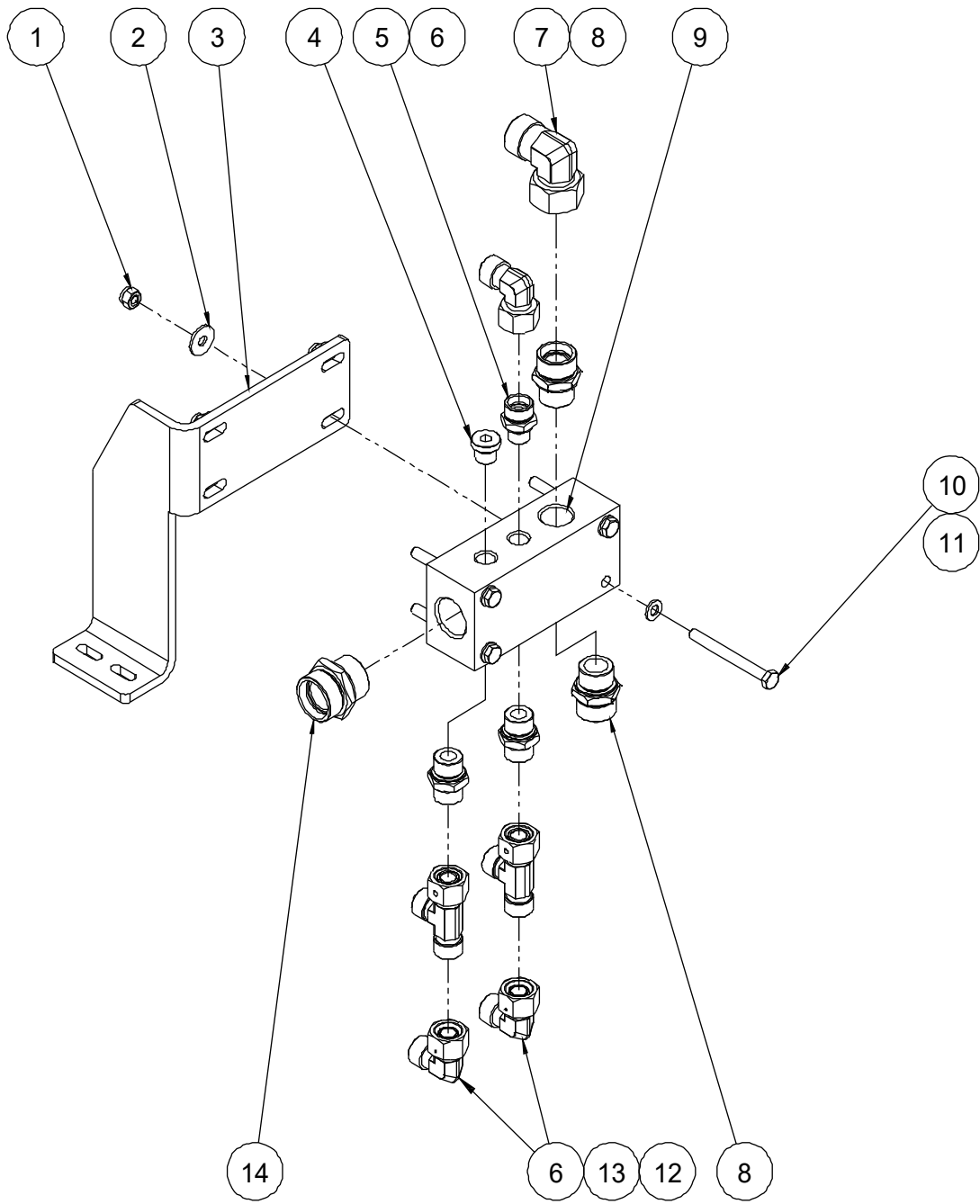
### 127.1 Drive Manifold Assembly



### 127.1 Drive Manifold Assembly

Item	Part No.	Description	Qty.
1	00000816	Bolt GB/T 5783 M12×25	3
2	00000815	Washer GB/T 93 12	3
3	00000814	Washer GB/T 97.1 12	3
4	10011556	Drive manifold bracket	1
5		Drive manifold (refer to 405.1)	1
6	00001073	Plug VST114×1.5ED	3
7	00001282	Straight fitting	2
8	00001270	Straight fitting	1
9	00001237	Tee fitting	7
10	00001283	Straight fitting	8
11	00001285	Straight fitting	2
12	00001842	Elbow	2

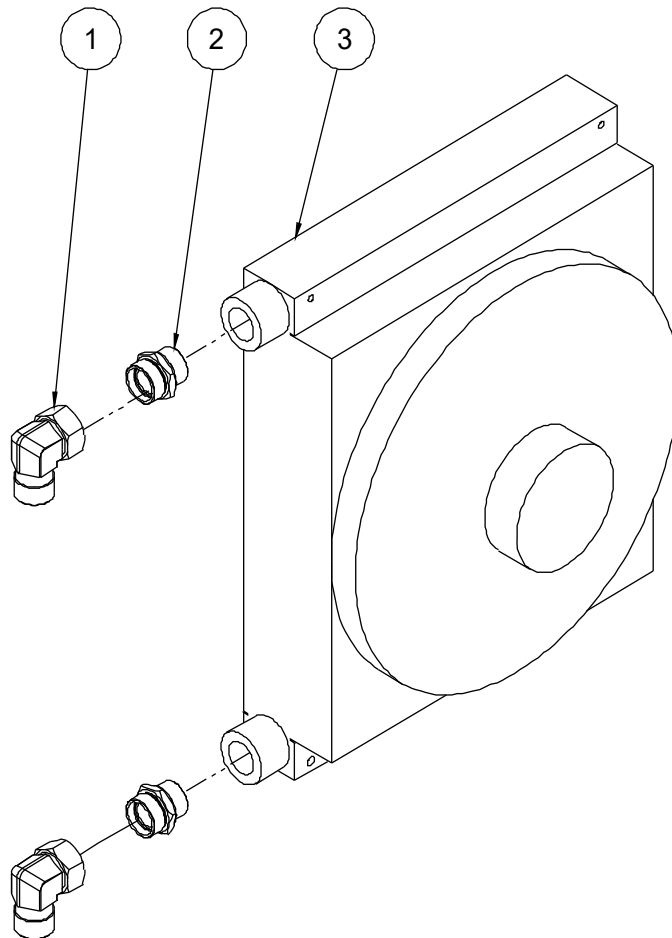
**128.1 Hydraulic Hoses Manifold Assembly**



**128.1 Hydraulic Hoses Manifold Assembly**

Item	Part No.	Description	Qty.
1	00001163	Nut GB/T 6182 M8	4
2	00002000	Washer GB/T 96.1 8	4
3	10023624	Bracket	1
4	00001074	Plug VST116×1.5ED	2
5	00001265	Straight fitting	1
6	00001835	Elbow	3
7	00001836	Elbow	1
8	00001269	Straight fitting	2
9	00002183	Manifold	1
10	00001026	Bolt GB/T 5782 M8×80	4
11	00000608	Washer GB/T 97.1 8	4
12	00001266	Straight fitting	2
13	00001240	Tee fitting	2
14	00002071	Straight fitting	1

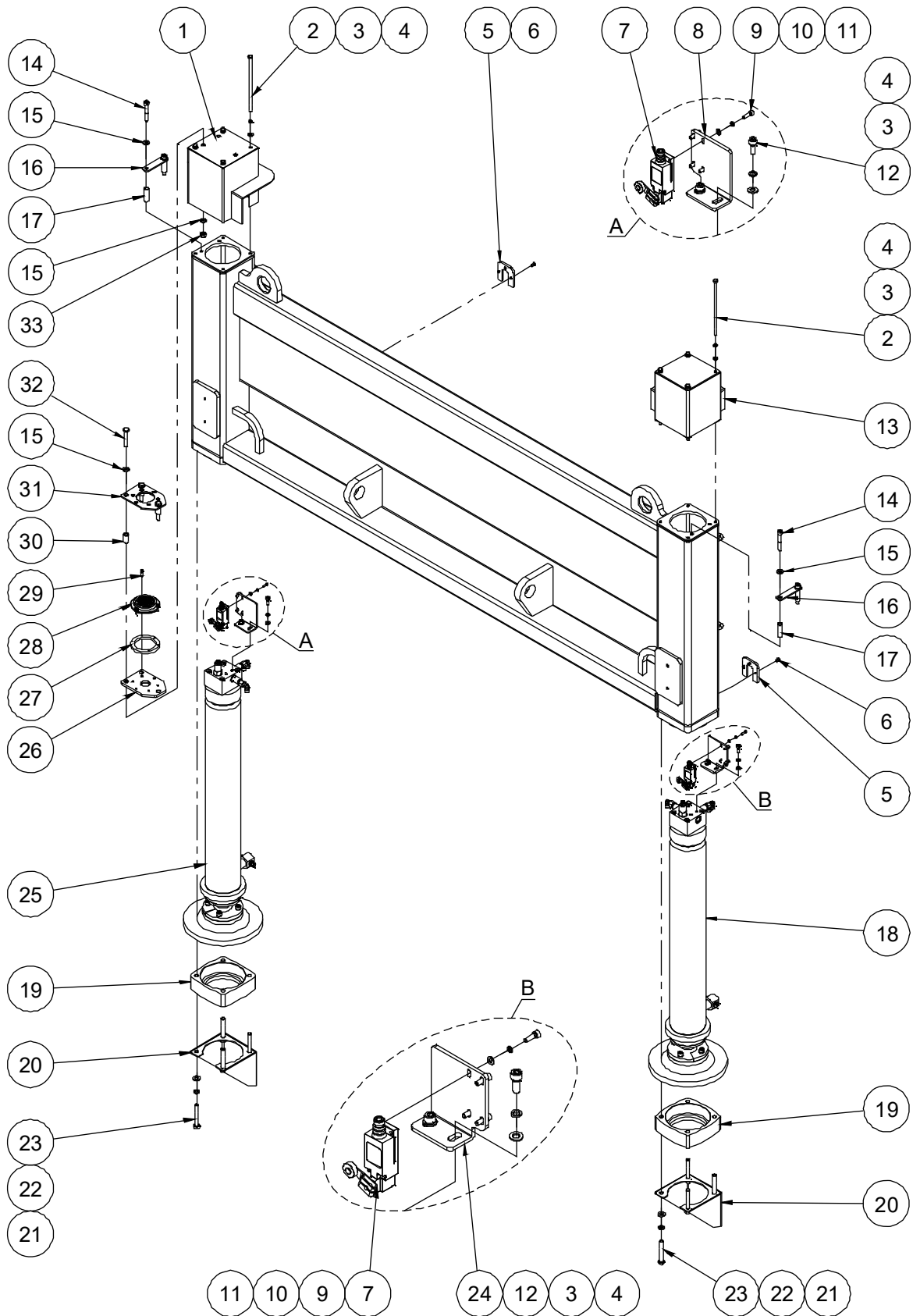
**129.1 Oil Cooler Assembly**



**129.1 Oil Cooler Assembly**

Item	Part No.	Description	Qty.
1	00001837	Elbow	2
2	00002071	Straight fitting	2
3	00003941	Oil cooler	1

130.1 Outriggers Assembly



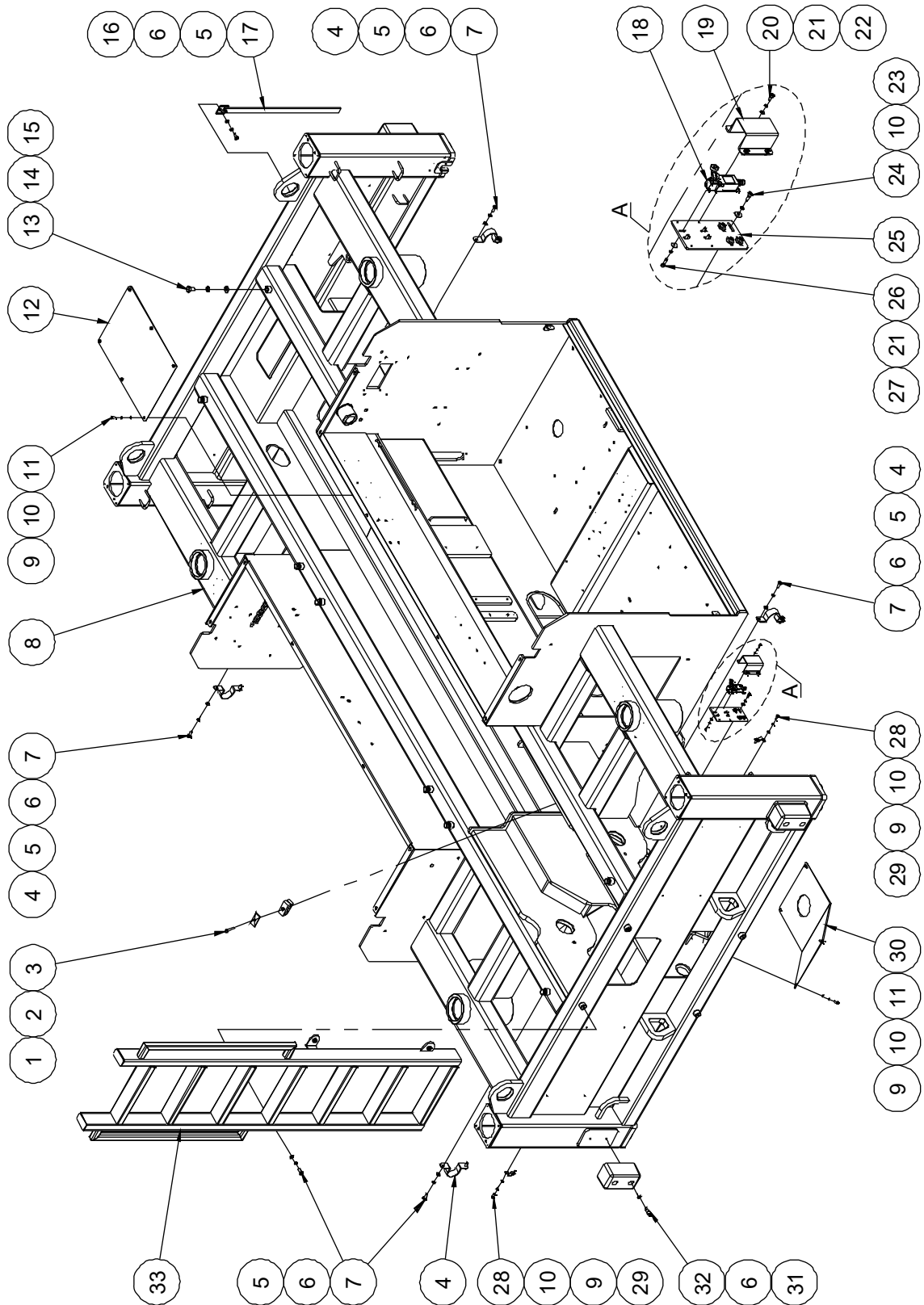
**130.1 Outriggers Assembly**

Item	Part No.	Description	Qty.
1	10010981	Outrigger cover (without bubble level)	1
	10012159	Outrigger cover (with bubble level)	1
2	00006125	Bolt GB/T 5782 M8×210	8
3	00000609	Washer GB/T 93 8	12
4	00000608	Washer GB/T 97.1 8	12
5	10010273	Rubber block	2
6	00000829	Screw GB/T 70.3 M6×12	6
7	00000748	Limit switch	2
8	10010155	Switch bracket	1
9	00001246	Screw GB/T 70.1 M5×16	8
10	00000606	Washer GB/T 93 5	8
11	00000605	Washer GB/T 97.1 5	8
12	00001061	Screw GB/T 70.1 M8×20	4
13	10010981	Outrigger cover (without bubble level)	1
14	00002563	Screw GB/T 70.1 M10×65	4
15	00000615	Washer GB/T 97.1 10	10
16	10010158	Signal plate	2
17	10010173	Spacer sleeve	4
18		Left outrigger cylinder assembly (without seal kit) (refer to 402.1)	1
19	10010132	Outrigger seat	2
20	10012523	Outrigger support frame	2
21	00000814	Washer GB/T 97.1 12	8
22	00000815	Washer GB/T 93 12	8
23	00002527	Bolt GB/T 5782 M12×80	8
24	10010157	Switch bracket	1
25		Right outrigger cylinder assembly (without seal kit) (refer to 403.1)	1
26	10012155	Bubble level mount plate (option)	1
27	10004271	Rubber pad	1

**130.1 Outriggers Assembly**

<b>Item</b>	<b>Part No.</b>	<b>Description</b>	<b>Qty.</b>
28	10004259	Bubble level	1
29	00000817	Screw GB/T 70.1 M5×20	3
30	10012156	Spacer sleeve (option)	3
31	10012157	Bubble level cover (option)	1
32	00002508	Bolt GB/T 5783 M10×60	3
33	00000623	Nut GB/T 6182 M10	3

### 131.1 Ladder and Chassis Accessory Installation



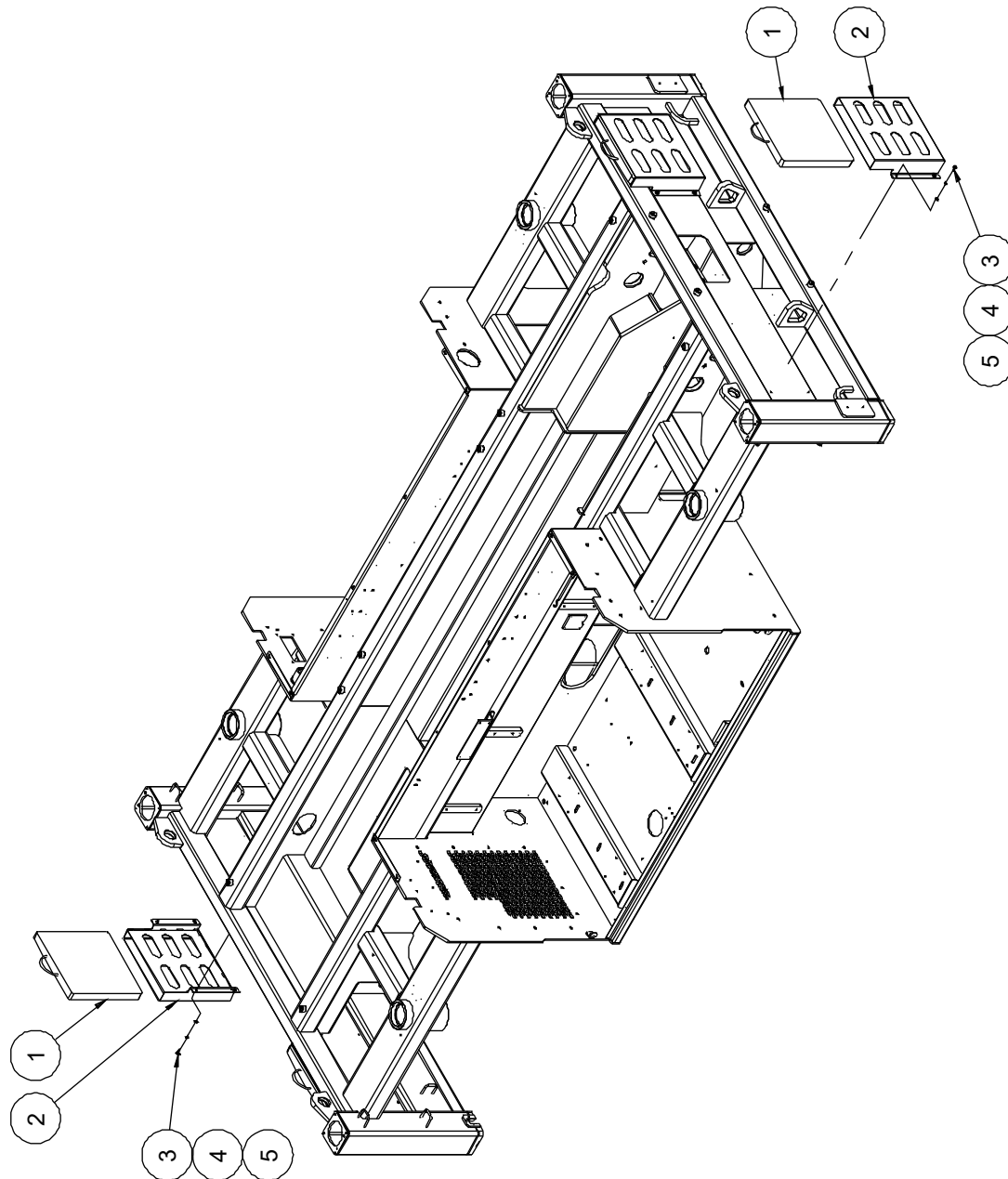
**131.1 Ladder and Chassis Accessory Installation**

Item	Part No.	Description	Qty.
1	00000316	Hose clamp	1
2	00000317	Base plate	1
3	00001985	Bolt GB/T 5782 M8×55	1
4	10014075	Clamp	4
5	00000615	Washer GB/T 97.1 10	13
6	00000679	Washer GB/T 93 10	21
7	00000678	Bolt GB/T 5783 M10×25	12
8	10023902	Frame weldment	1
9	00000620	Washer GB/T 97.1 6	14
10	00000621	Washer GB/T 93 6	18
11	00000818	Bolt GB/T 5783 M6×16	10
12	10010274	Cover	1
13	00006696	Bolt GB/T 5783 M16×25	12
14	00000997	Washer GB/T 97.1 16	12
15	00001035	Washer GB/T 93 16	12
16	00000674	Bolt GB/T 5783 M10×20	1
17	00000669	Ground strap	1
18	00000748	Limit switch	1
19	10011485	Switch cover	1
20	00001252	Screw GB/T 70.1 M5×12	4
21	00000606	Washer GB/T 93 5	8
22	00000605	Washer GB/T 97.1 5	4
23	00002583	Washer GB/T 96.1 6	4
24	00000876	Screw GB/T 70.1 M6×16	4
25	10017502	Switch bracket	1
26	00001246	Screw GB/T 70.1 M5×16	4
27	00003545	Washer GB/T 96.1 5	4
28	00000743	Bolt GB/T 5783 M6×20	4
29	00002727	Clamp 16 JB/ZQ 4492-2006	2

**131.1 Ladder and Chassis Accessory Installation**

<b>Item</b>	<b>Part No.</b>	<b>Description</b>	<b>Qty.</b>
30	10010354	Cover	1
31	10010171	Bumper	4
32	00001059	Screw GB/T 70.1 M10×30	8
33	10018785	Ladder	1

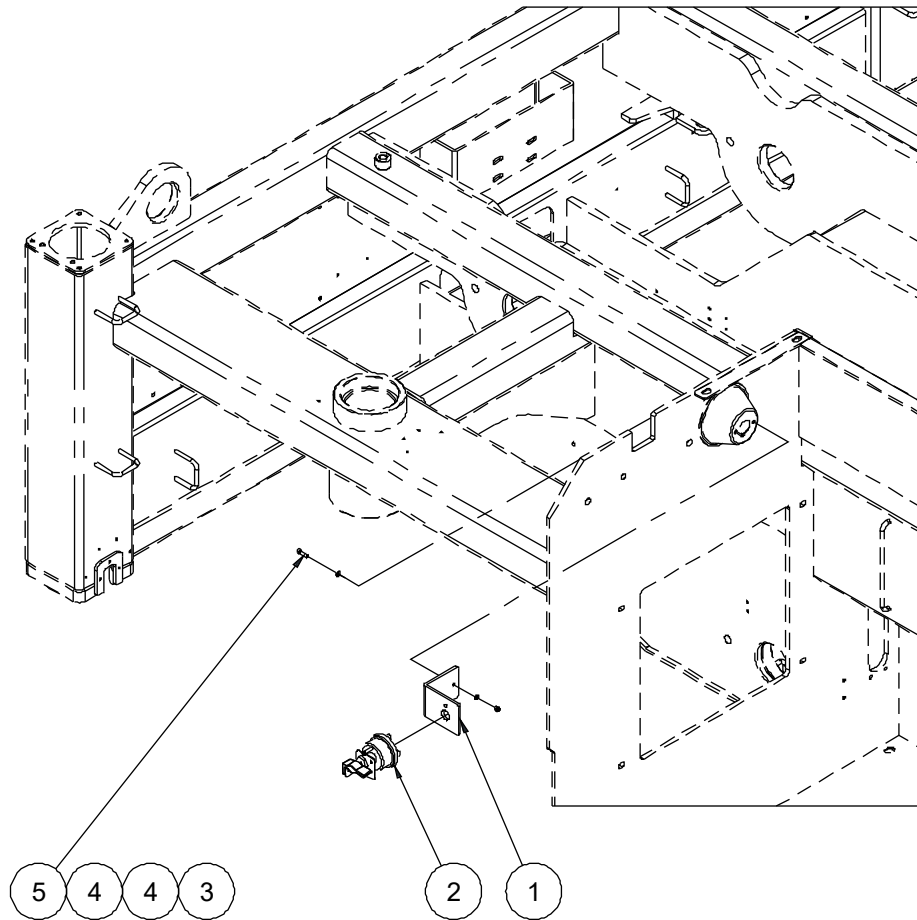
### 132.1 Outrigger Plate (Option)



### 132.1 Outrigger Plate (Option)

Item	Part No.	Description	Qty.
1	10018531	Outrigger plate	4
2	10018534	Plate box weldment	4
3	00001063	Bolt GB/T 5783 M8×16	16
4	00000609	Washer GB/T 93 8	16
5	00000608	Washer GB/T 97.1 8	16

**133.1 power switch assembly (Optional)**

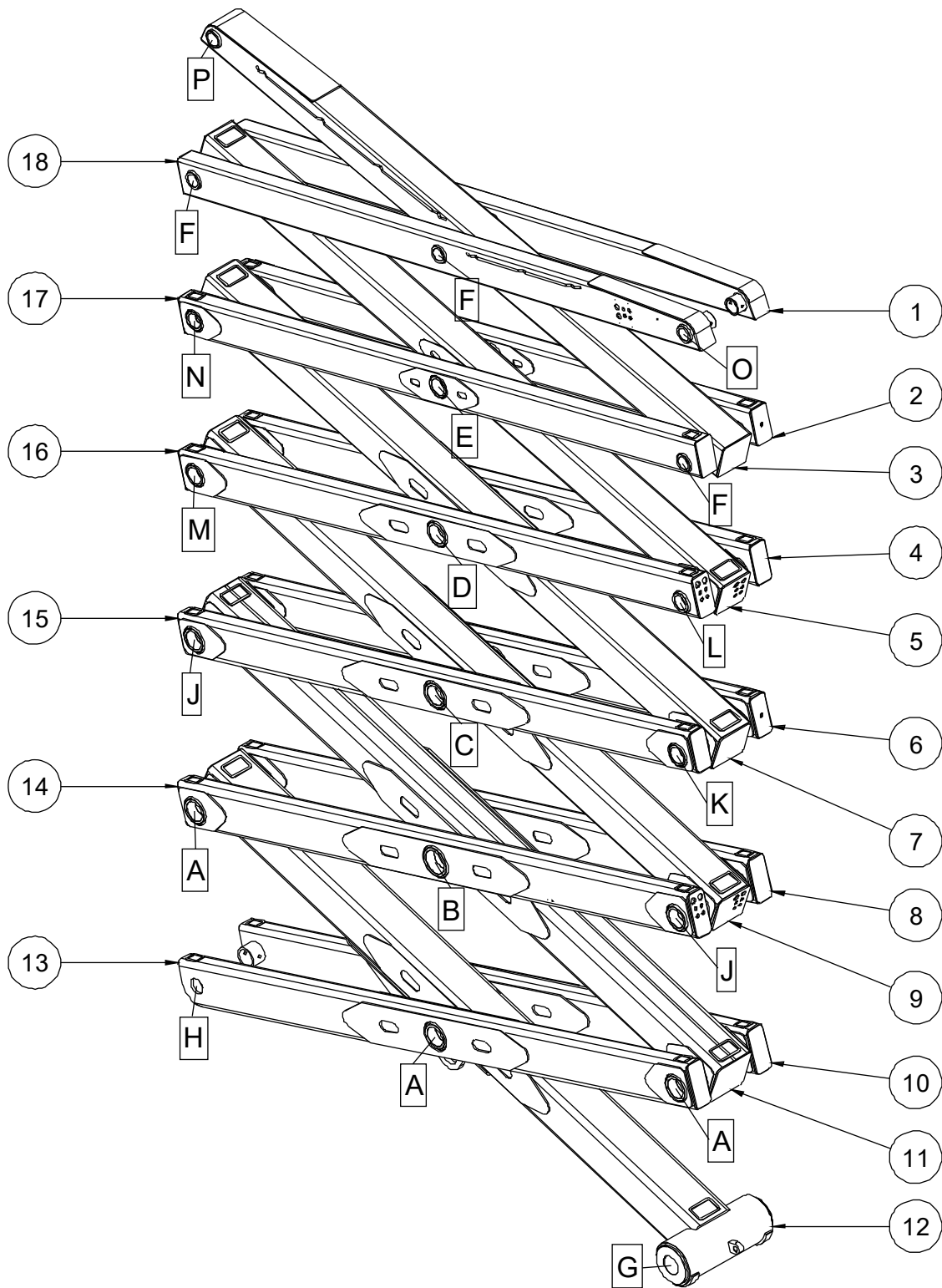


**133.1 power switch assembly (Optional)**

Item	Part No.	Description	Qty.
1	10026742	Bracket	1
2	00008632	Power switch	1
3	00000613	Nut GB/T 6182 M5	2
4	00000605	Washer GB/T 97.1 5	4
5	00000817	Screw GB/T 70 M5 x 20	2

# Section 2 Scissor

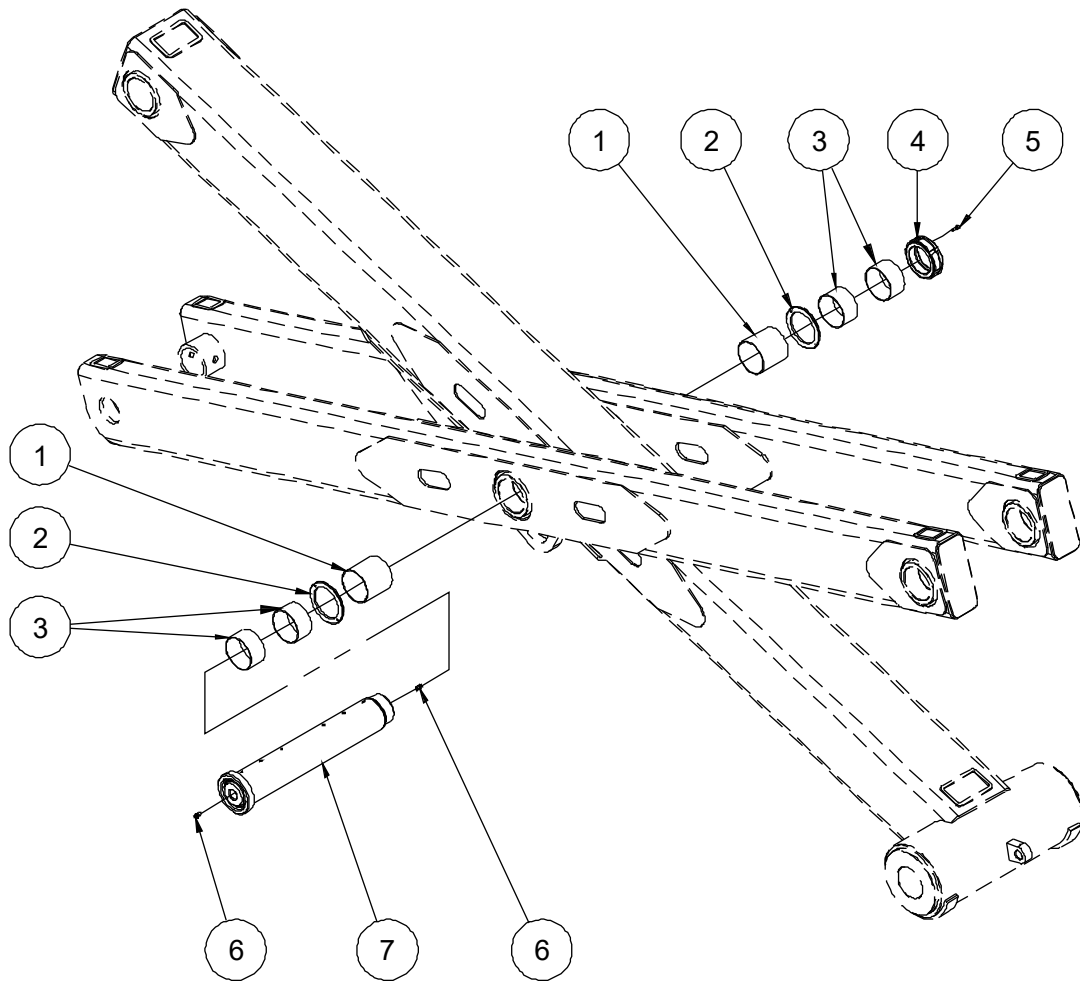
### 201.1 Scissor Arms Installation



**201.1 Scissor Arms Installation**

<b>Item</b>	<b>Part No.</b>	<b>Description</b>	<b>Qty.</b>
1	10023859	Outer arm 6, right	1
2	10023899	Outer arm 5, right	1
3	10023855	Inner arm 6	1
4	10023850	Outer arm 4, right	1
5	10023851	Inner arm 5	1
6	10023845	Outer arm 3, right	1
7	10023846	Inner arm 4	1
8	10023833	Outer arm 2, right	1
9	10023835	Inner arm 3	1
10	10023819	Outer arm 1, right	1
11	10024503	Inner arm 2	1
12	10023801	Inner arm 1	1
13	10023813	Outer arm 1, left	1
14	10023827	Outer arm 2, left	1
15	10023843	Outer arm 3, left	1
16	10023848	Outer arm 4, left	1
17	10023853	Outer arm 5, left	1
18	10023857	Outer arm6, left	1

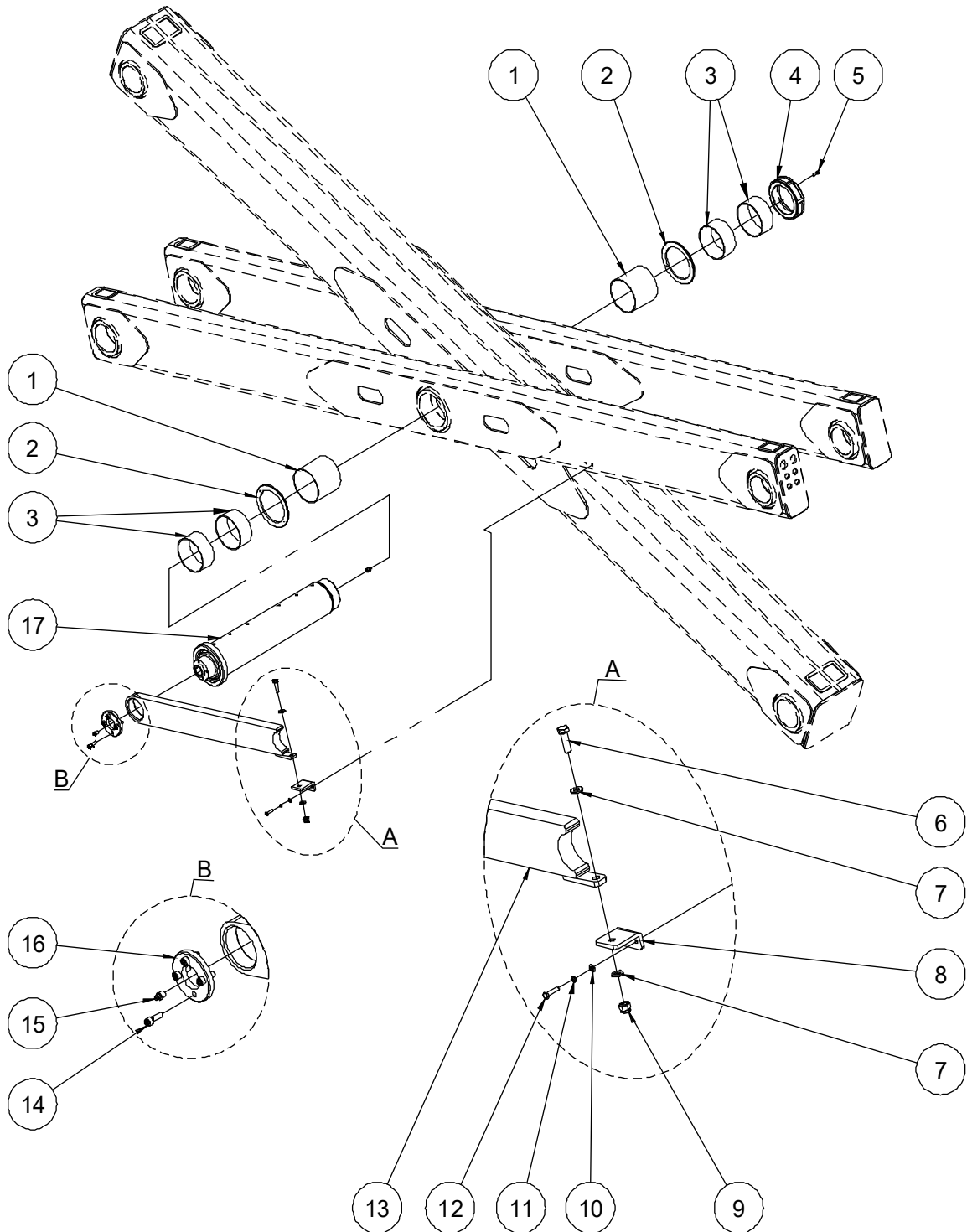
**202.1 Scissor Arm pin joint A**



**202.1 Scissor Arm pin joint A**

Item	Part No.	Description	Qty.
1	00006140	8812-909590A Bearing	2
2	10009382	Washer 90	2
3	00010052	8812-909550A Bearing	4
4	10017506	Nut M80	1
5	00000876	Screw GB/T 70.1 M6×16	4
6	00004483	Grease nipple GB/T 1152 M10×1	2
7	10023886	Pin 90-1	1

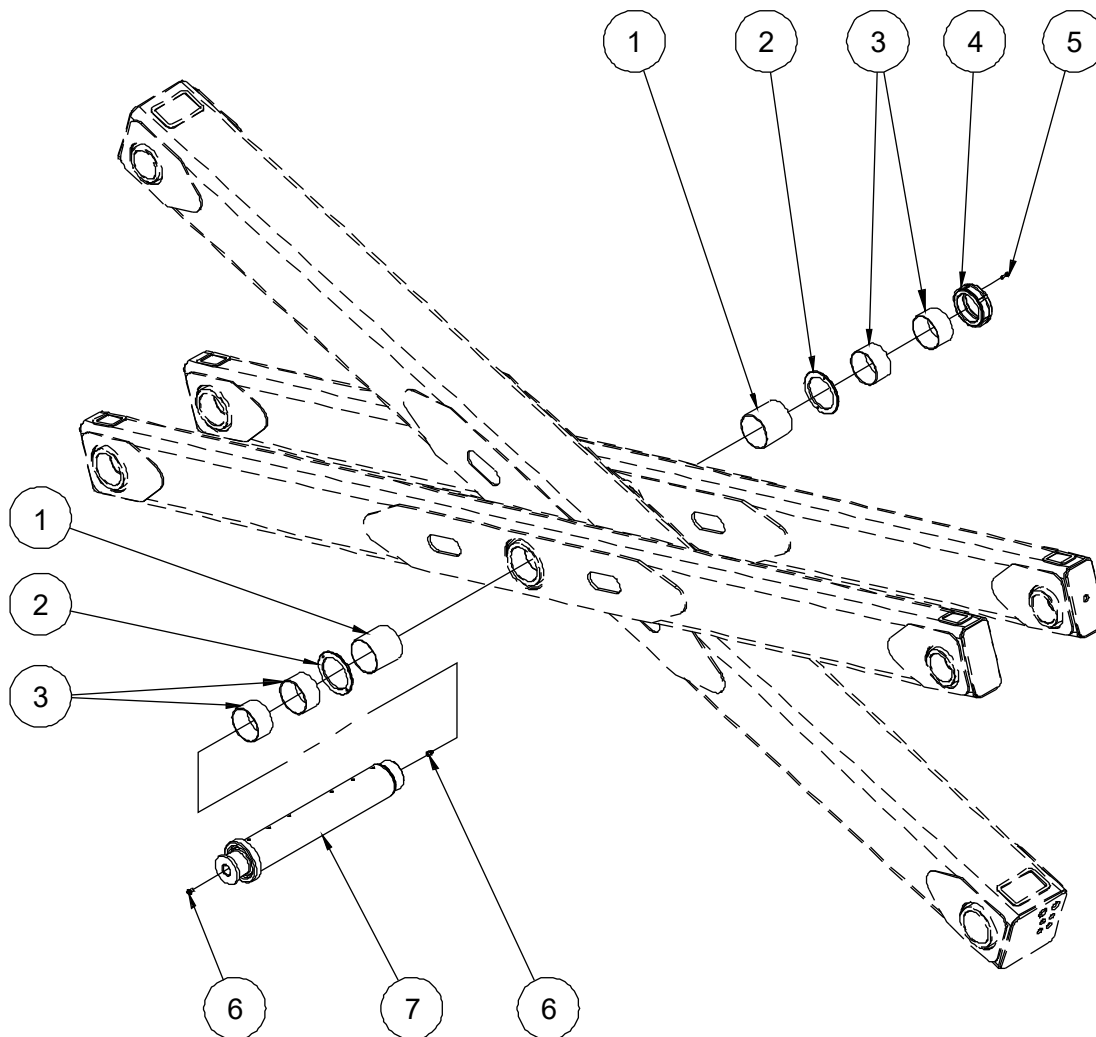
203.1 Scissor Arm pin joint B



**203.1 Scissor Arm pin joint B**

Item	Part No.	Description	Qty.
1	00007872	8812-110115100A Bearing	2
2	10016087	Washer 100	2
3	00010053	8812-11011550A Bearing	4
4	10017509	Nut M100	1
5	00000876	Screw GB/T 70.1 M6×16	6
6	00000684	Bolt GB/T 5783 M10×35	1
7	00000615	Washer GB/T 97.1 10	2
8	10022598	Bracket	1
9	00000623	Nut GB/T 6182 M10	1
10	00000620	Washer GB/T 97.1 6	2
11	00000621	Washer GB/T 93 6	2
12	00000619	Bolt GB/T 5783 M6×25	2
13	10023145	Safety arm	1
14	00002555	Screw GB/T 70.1 M8×25	4
15	00004483	Grease nipple GB/T 1152 M10×1	2
16	10022092	Safety arm retainer	1
17	10023891	Pin 110	1

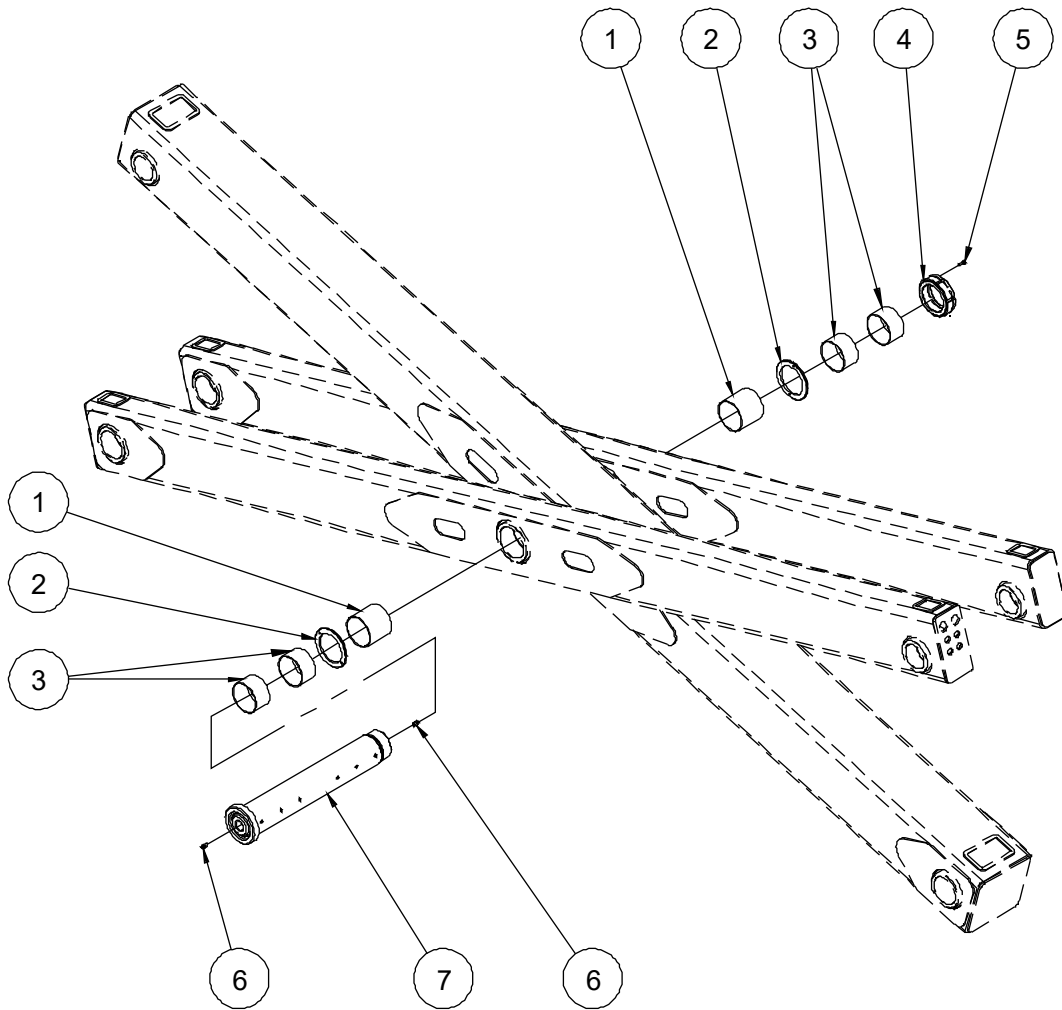
### 204.1 Scissor Arm pin joint C



### 204.1 Scissor Arm pin joint C

Item	Part No.	Description	Qty.
1	00006145	8812-10010590A Bearing	2
2	10009383	Washer 100	2
3	00006150	8812-10010560A Bearing	4
4	10017505	Nut M90	1
5	00000876	Screw GB/T 70.1 M6×16	4
6	00004483	Grease nipple GB/T 1152 M10×1	2
7	10009380	Pin 100	1

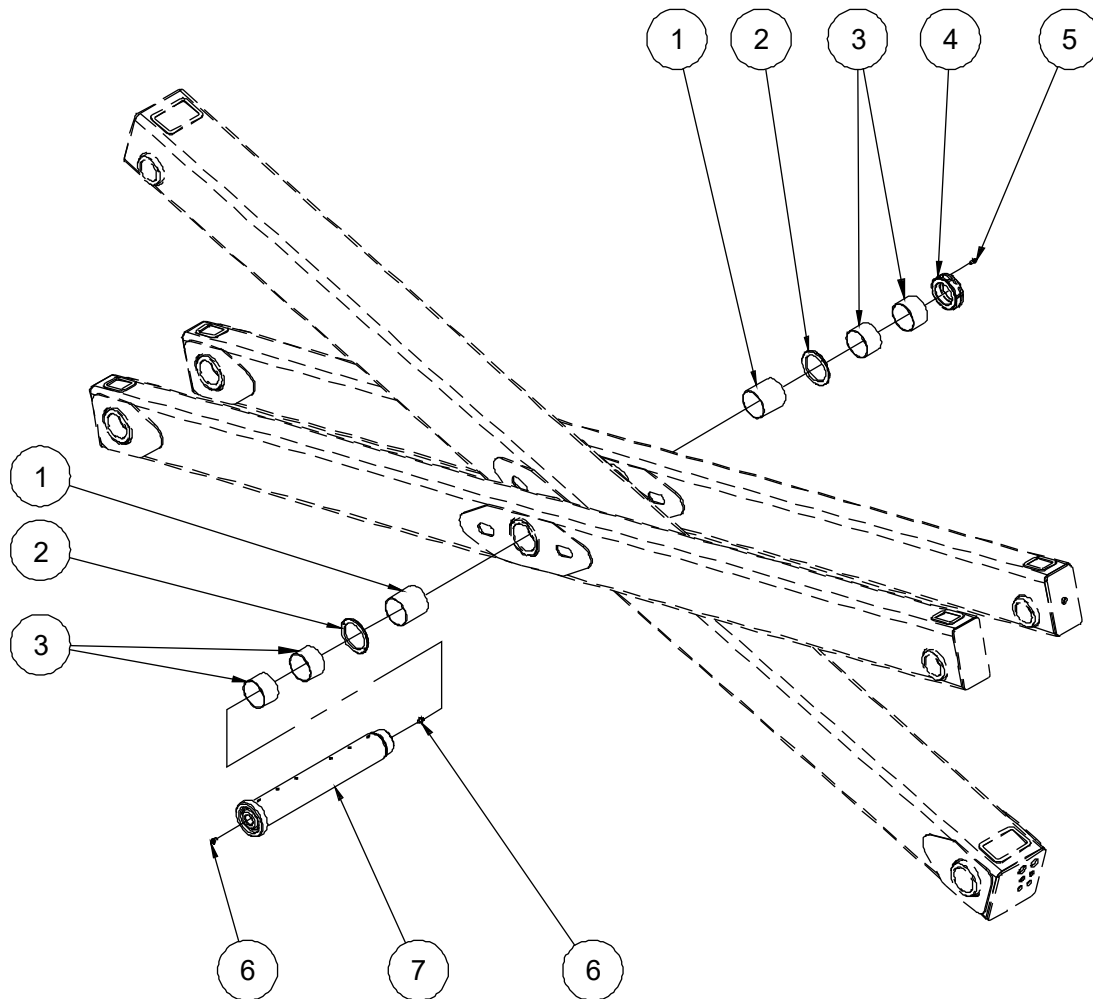
**205.1 Scissor Arm pin joint D**



**205.1 Scissor Arm pin joint D**

Item	Part No.	Description	Qty.
1	00009685	8812-859080A Bearing	2
2	10022454	Washer 85	2
3	00009686	8812-859050A Bearing	4
4	10017506	Nut M80	1
5	00000876	Screw GB/T 70.1 M6×16	4
6	00004483	Grease nipple GB/T 1152 M10×1	2
7	10023633	Pin 85	1

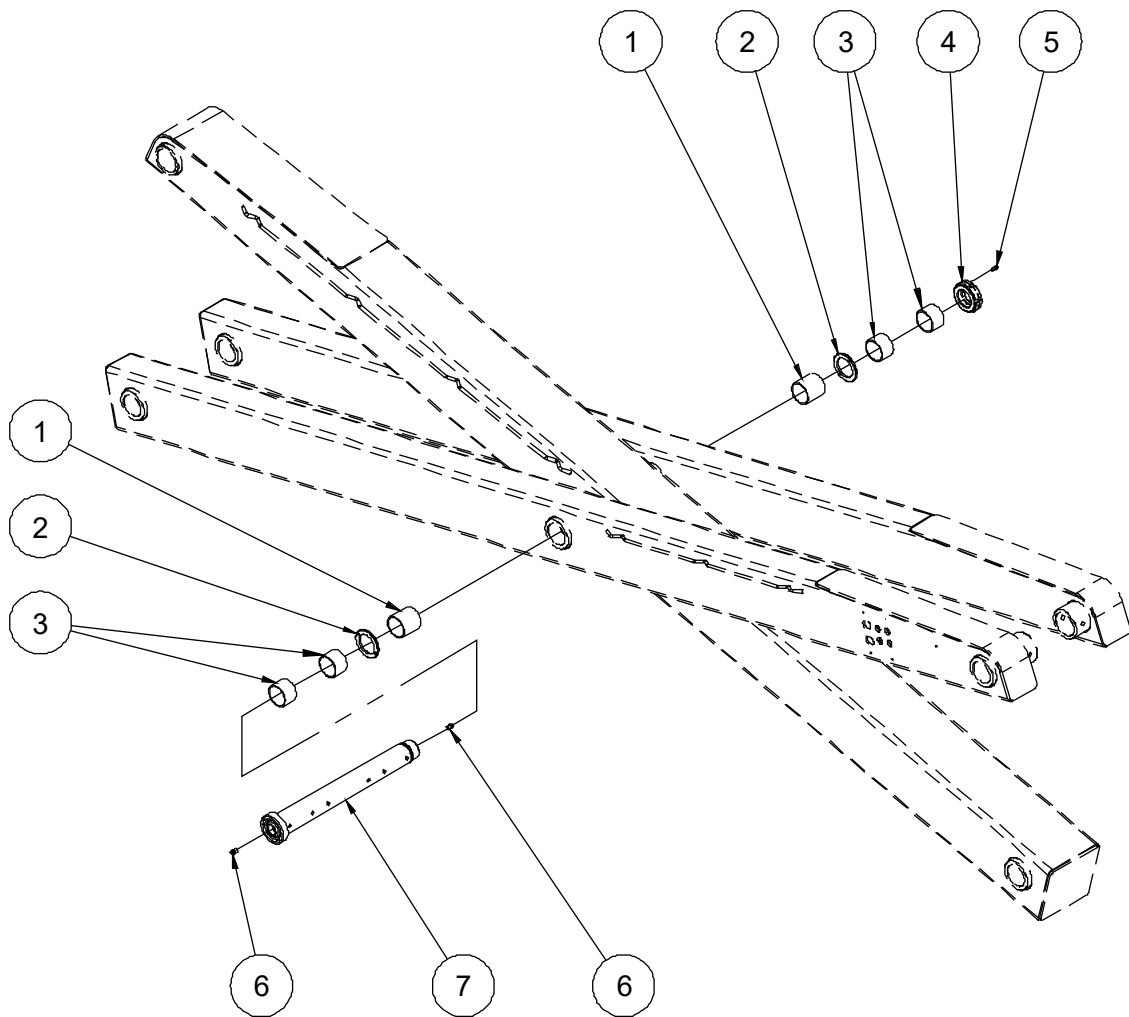
## 206.1 Scissor Arm pin joint E



## 206.1 Scissor Arm pin joint E

Item	Part No.	Description	Qty.
1	00006144	8812-758080A Bearing	2
2	10009374	Washer 75	2
3	00009688	8812-758050A Bearing	4
4	10017507	Nut M64	1
5	00002029	Screw GB/T 70.1 M6×12	4
6	00004483	Grease nipple GB/T 1152 M10×1	2
7	10022086	Pin 75	1

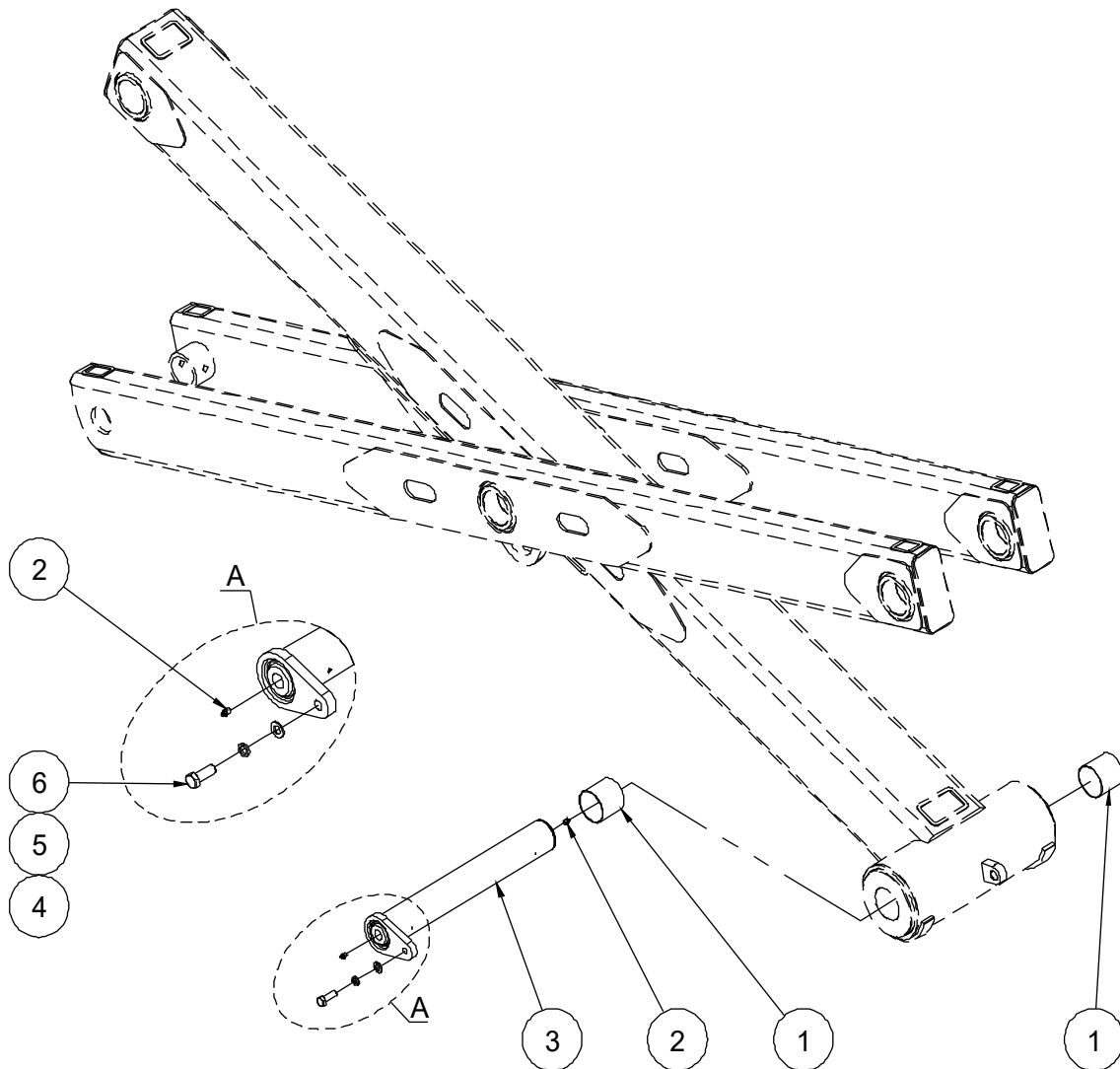
**207.1 Scissor Arm pin joint F**



**207.1 Scissor Arm pin joint F**

Item	Part No.	Description	Qty.
1	00009691	8812-556060A Bearing	2
2	10022456	Washer 55	2
3	00009692	8812-556040A Bearing	4
4	10022442	Nut M50	1
5	00002029	Screw GB/T 70.1 M6×12	4
6	00004483	Grease nipple GB/T 1152 M10×1	2
7	10022097	Pin 55	1

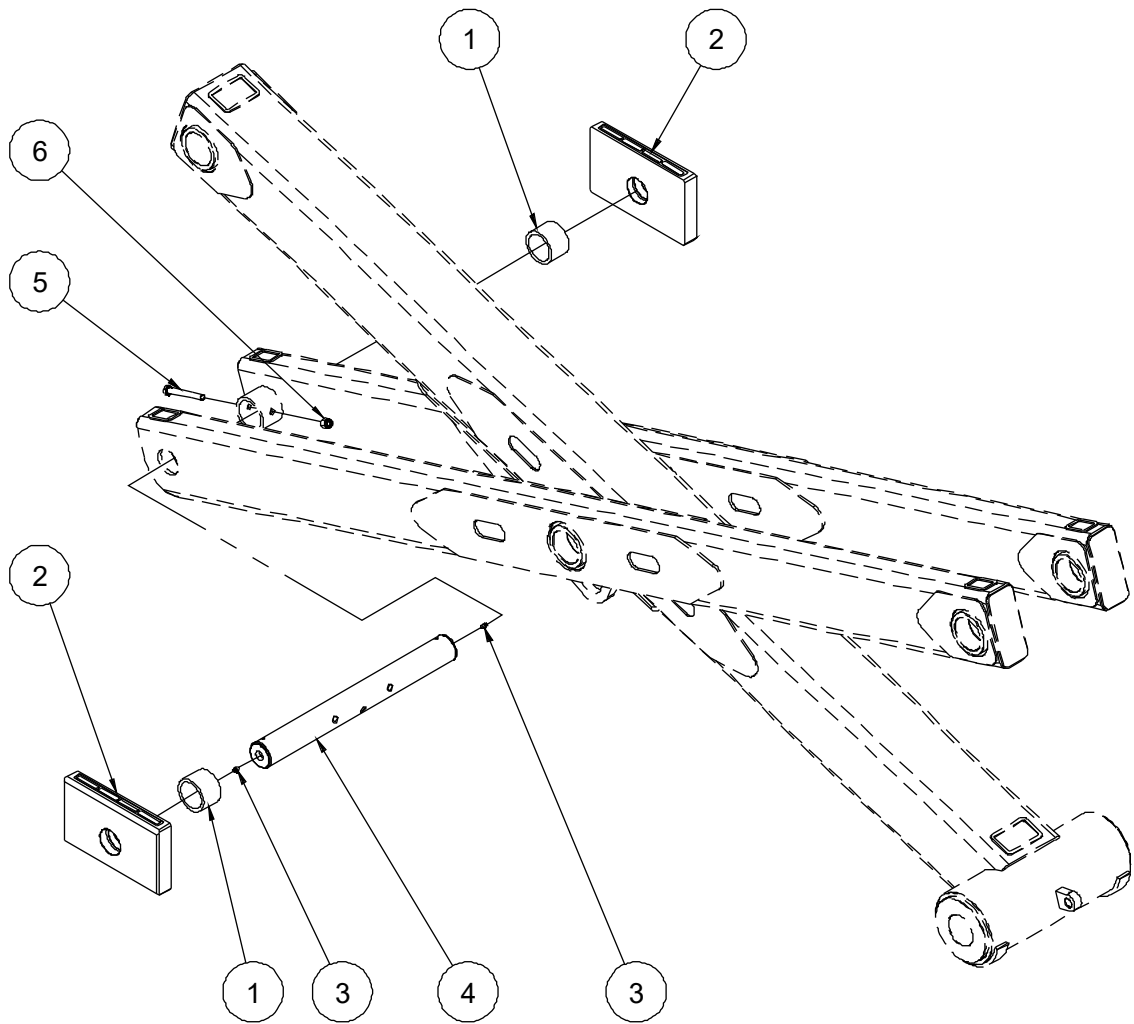
### 208.1 Scissor Arm pin joint G



### 208.1 Scissor Arm pin joint G

Item	Part No.	Description	Qty.
1	00009685	8812-859080A Bearing	2
2	00004483	Grease nipple GB/T 1152 M10×1	2
3	10023879	Pin	1
4	00000997	Washer GB/T 97.1 16	1
5	00001035	Washer GB/T 93 16	1
6	00001057	Bolt GB/T 5783 M16×45	1

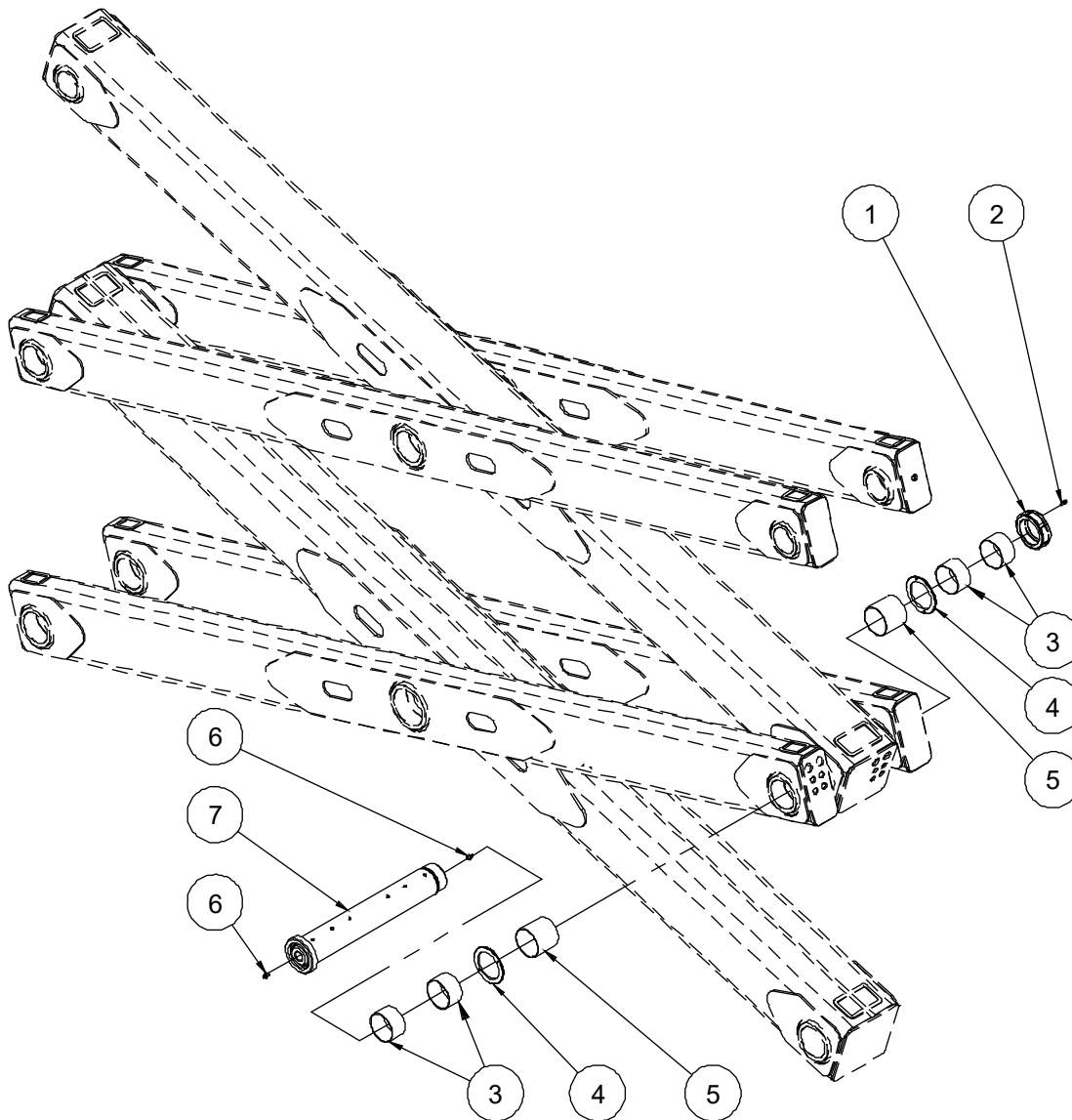
**209.1 Scissor Arm pin joint H**



**209.1 Scissor Arm pin joint H**

Item	Part No.	Description	Qty.
1	10023876	Spacer sleeve	2
2	10023878	Chassis slider	2
3	00004483	Grease nipple GB/T 1152 M10×1	2
4	10023877	Pin	1
5	00001109	Bolt GB/T 5782 M16×130	2
6	00001257	Nut GB/T 6182 M16	2

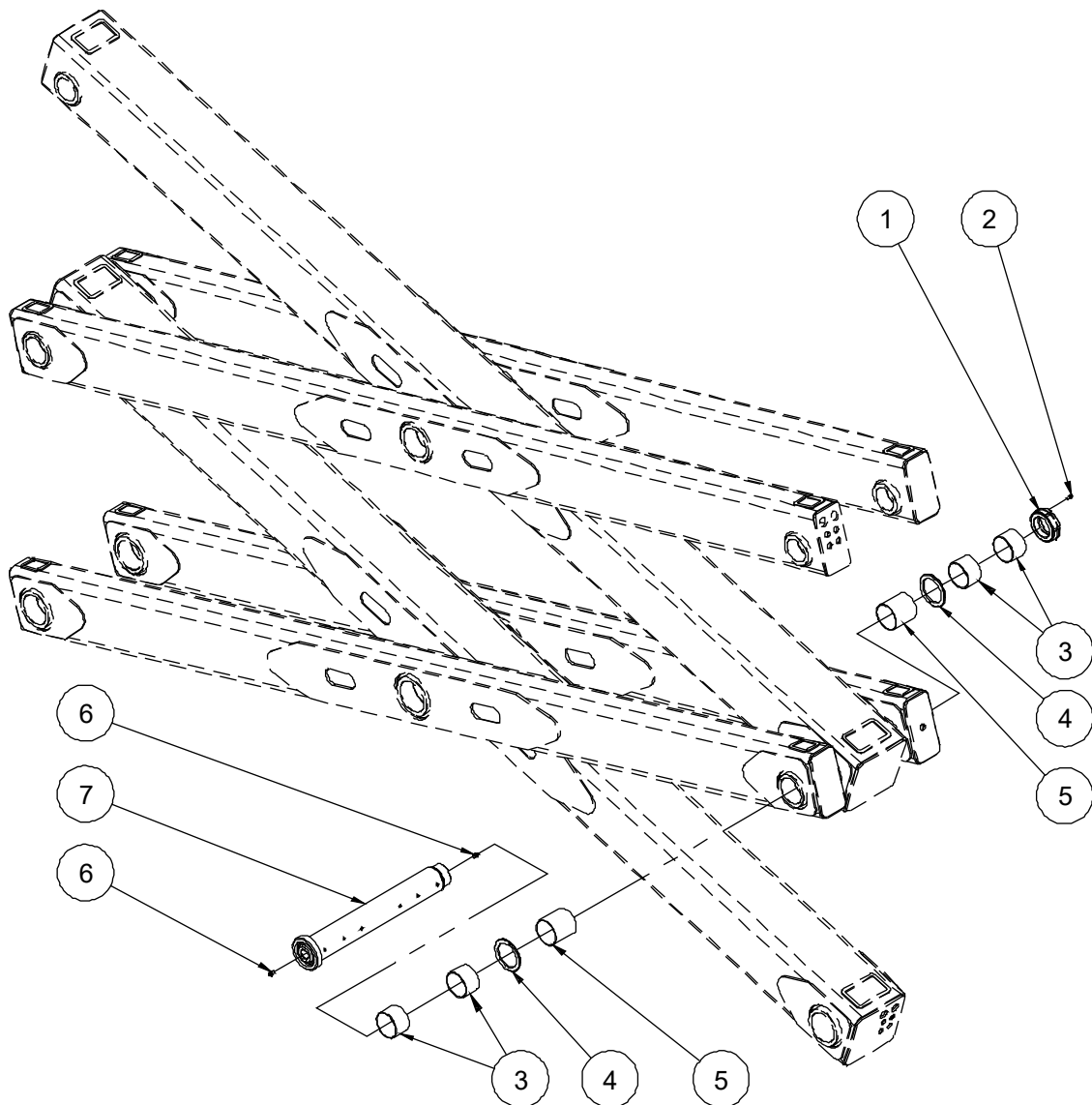
### 210.1 Scissor Arm pin joint J



### 210.1 Scissor Arm pin joint J

Item	Part No.	Description	Qty.
1	10017506	Nut M80	1
2	00000876	Screw GB/T 70.1 M6×16	4
3	00009686	8812-859050A Bearing	4
4	10022454	Washer 85	2
5	00009685	8812-859080A Bearing	2
6	00004483	Grease nipple GB/T 1152 M10×1	2
7	10023888	Pin 85-1	1

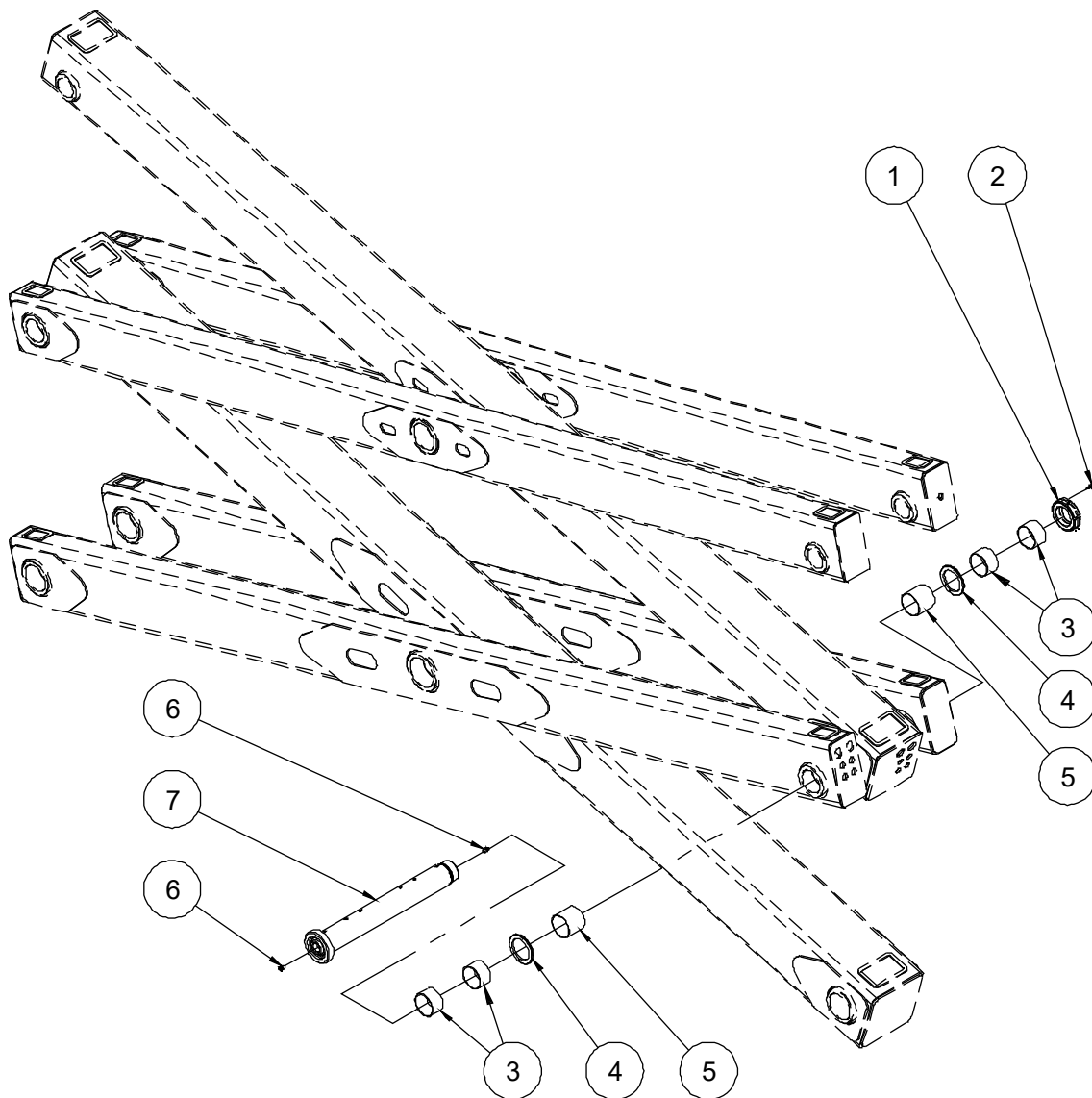
**211.1 Scissor Arm pin joint K**



**211.1 Scissor Arm pin joint K**

Item	Part No.	Description	Qty.
1	10017507	Nut M64	1
2	00002029	Screw GB/T 70.1 M6×12	4
3	00009688	8812-758050A Bearing	4
4	10009374	Washer 75	2
5	00006144	8812-758080A Bearing	2
6	00004483	Grease nipple GB/T 1152 M10×1	2
7	10023637	Pin 75-3	1

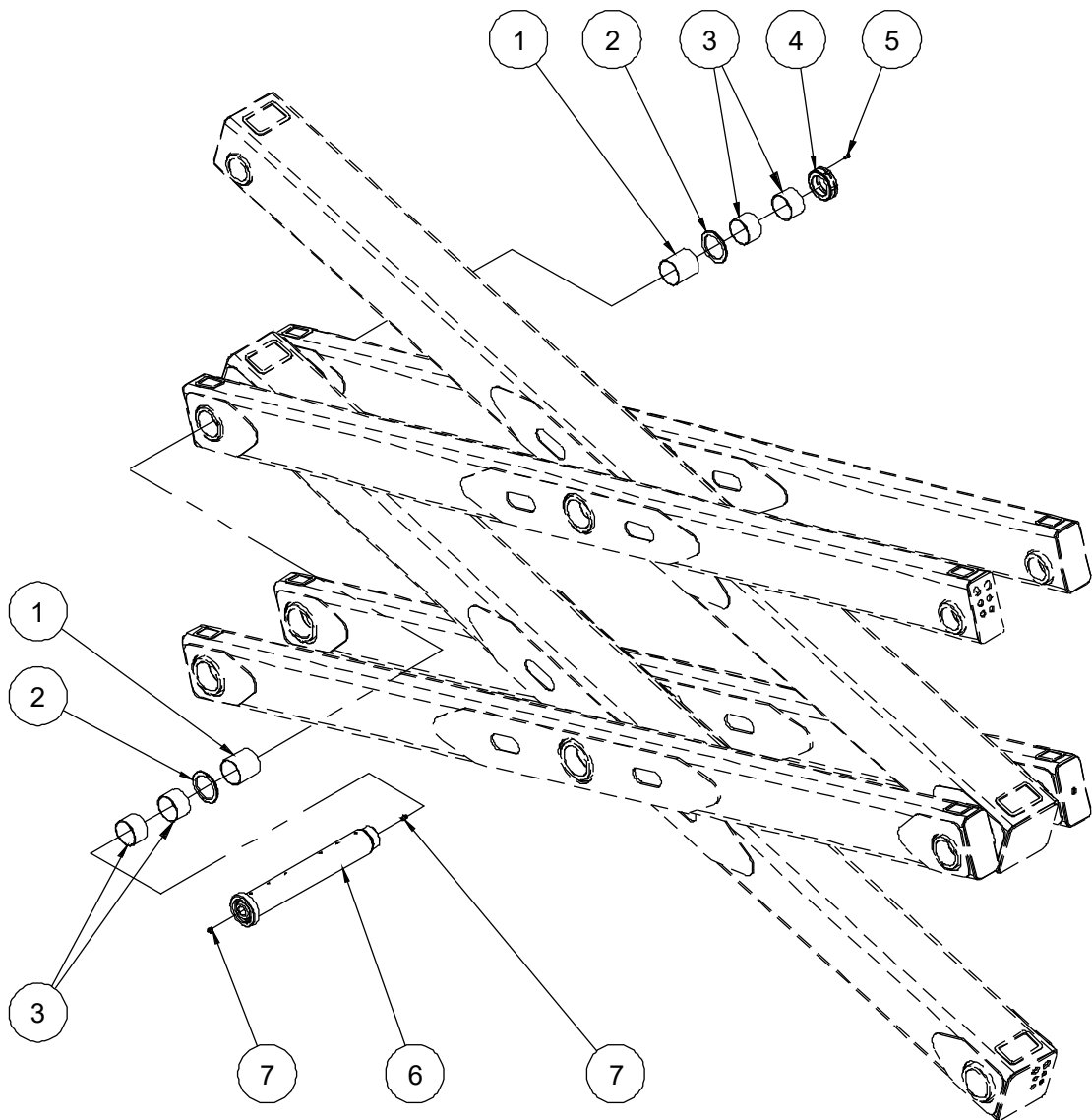
### 212.1 Scissor Arm pin joint L



### 212.1 Scissor Arm pin joint L

Item	Part No.	Description	Qty.
1	10022440	Nut M60	1
2	00002029	Screw GB/T 70.1 M6×12	4
3	00009690	8812-657040A Bearing	4
4	10022455	Washer 65	2
5	00009689	8812-657060A Bearing	2
6	00004483	Grease nipple GB/T 1152 M10×1	2
7	10023639	Pin 65-1	1

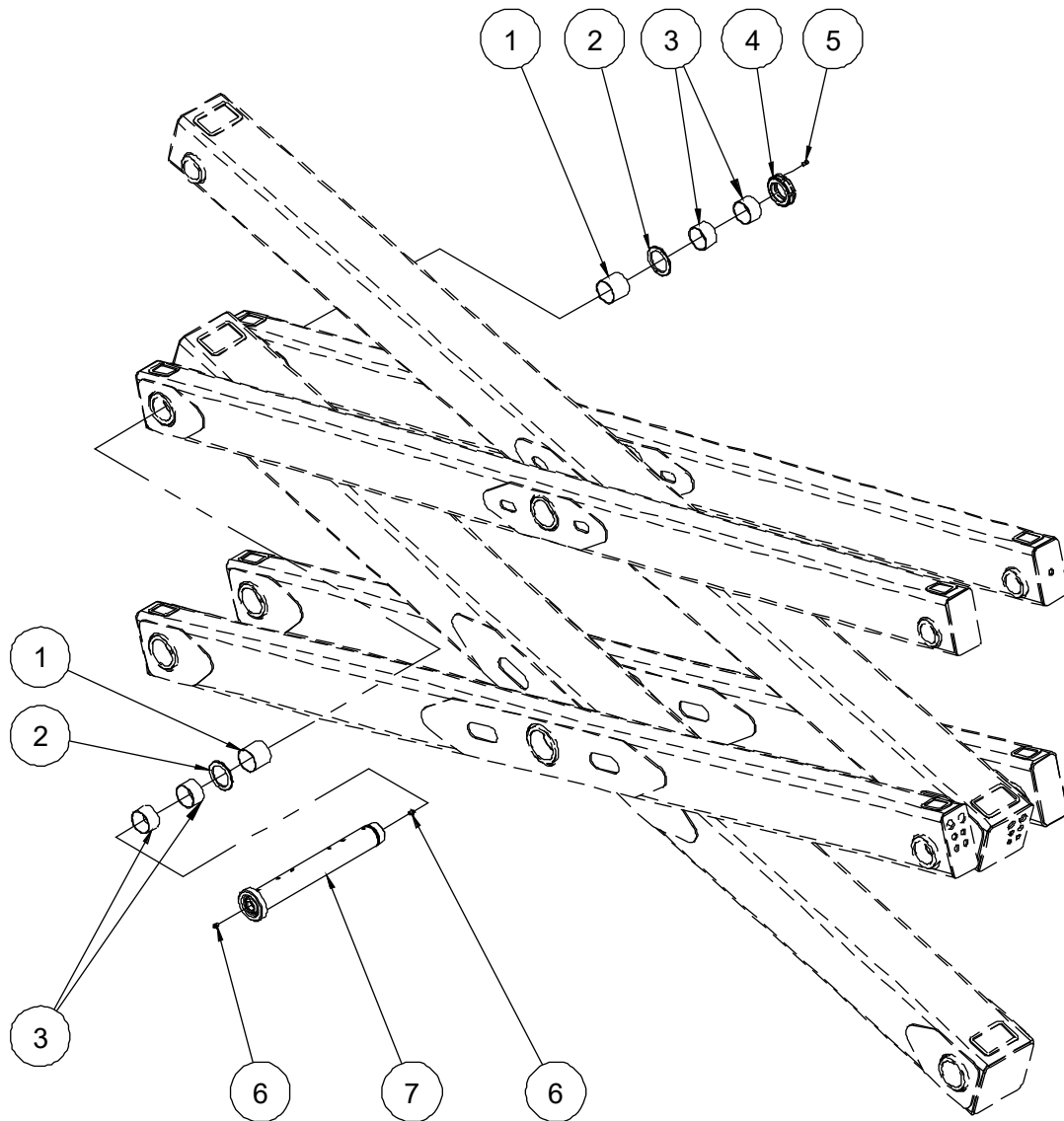
**213.1 Scissor Arm pin joint M**



**213.1 Scissor Arm pin joint M**

Item	Part No.	Description	Qty.
1	00006144	8812-758080A Bearing	2
2	10009374	Washer 75	2
3	00009688	8812-758050A Bearing	4
4	10017507	Nut M64	1
5	00002029	Screw GB/T 70.1 M6×12	4
6	00004483	Grease nipple GB/T 1152 M10×1	2
7	10023635	Pin 75-2	1

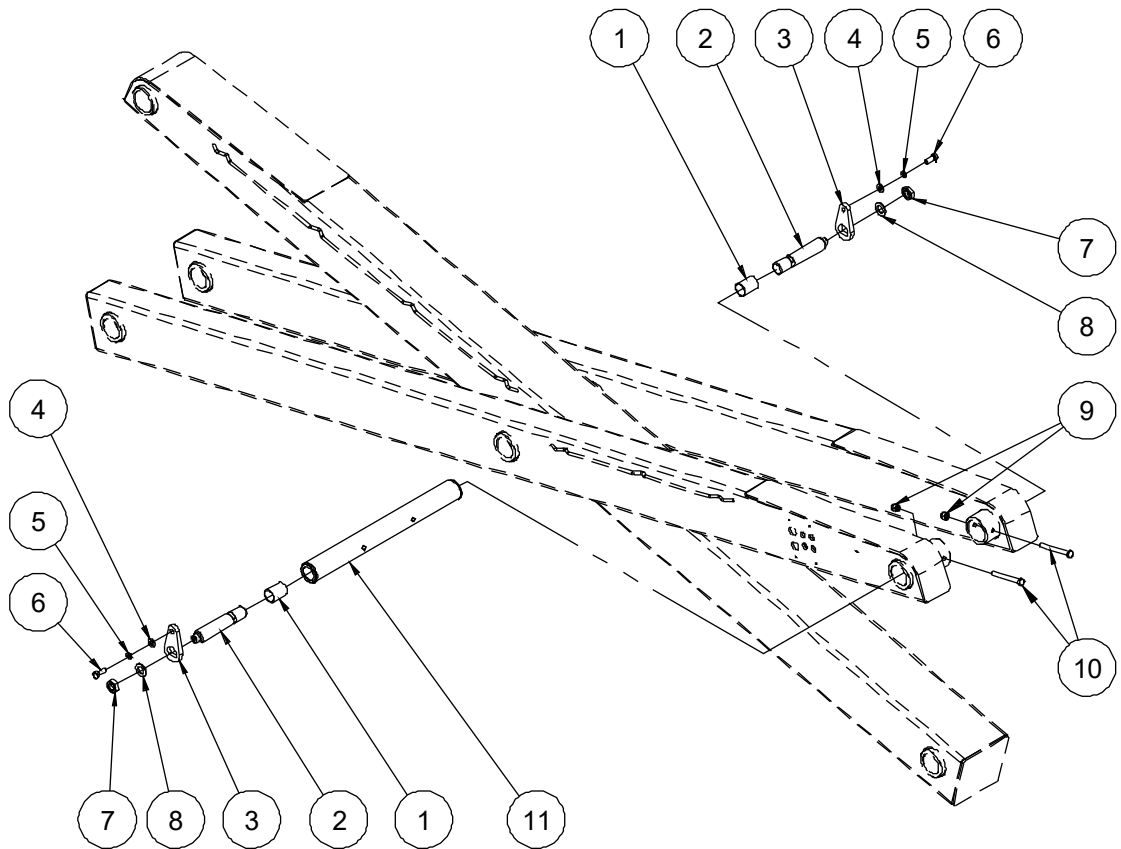
## 214.1 Scissor Arm pin joint N



## 214.1 Scissor Arm pin joint N

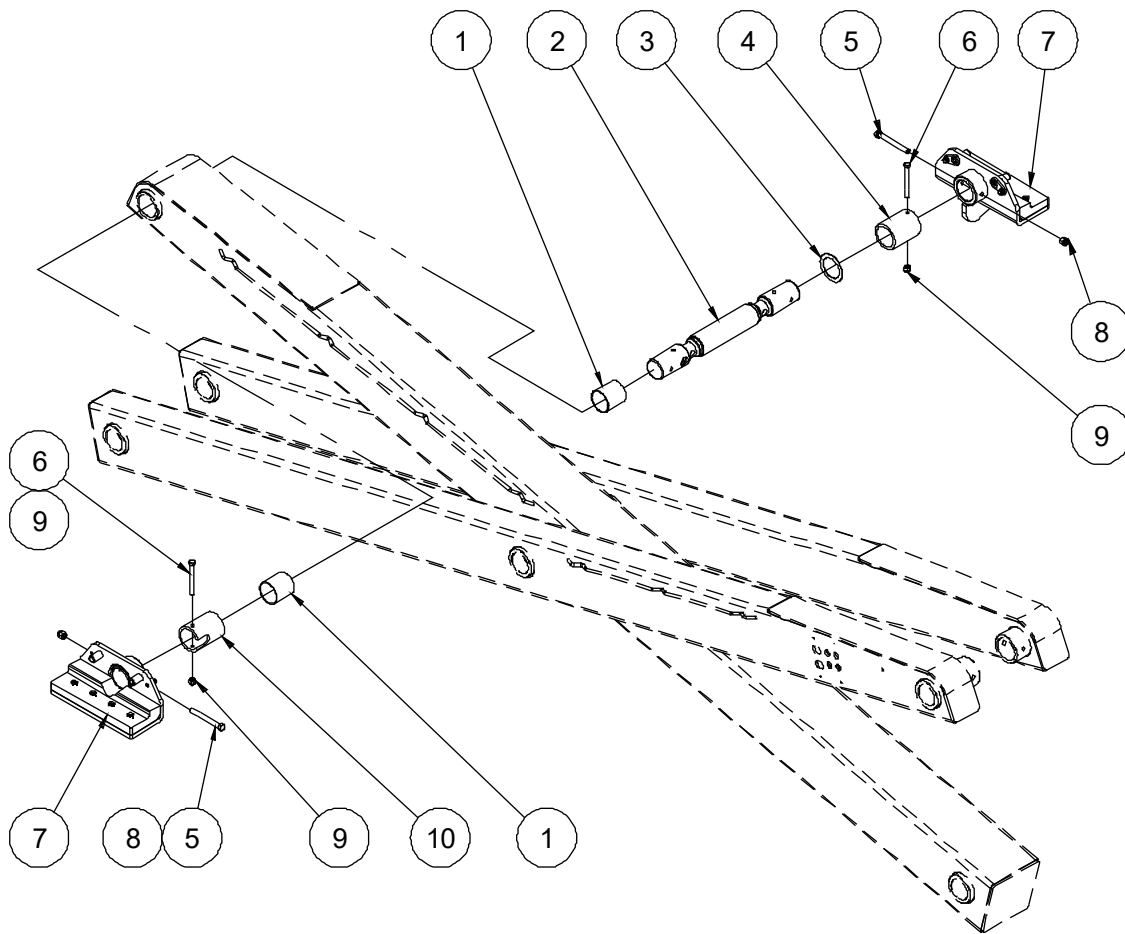
Item	Part No.	Description	Qty.
1	00009689	8812-657060A Bearing	2
2	10022455	Washer 65	2
3	00009690	8812-657040A Bearing	4
4	10022440	Nut M60	1
5	00002029	Screw GB/T 70.1 M6×12	4
6	00004483	Grease nipple GB/T 1152 M10×1	2
7	10022094	Pin 65	1

**215.1 Scissor Arm pin joint O**



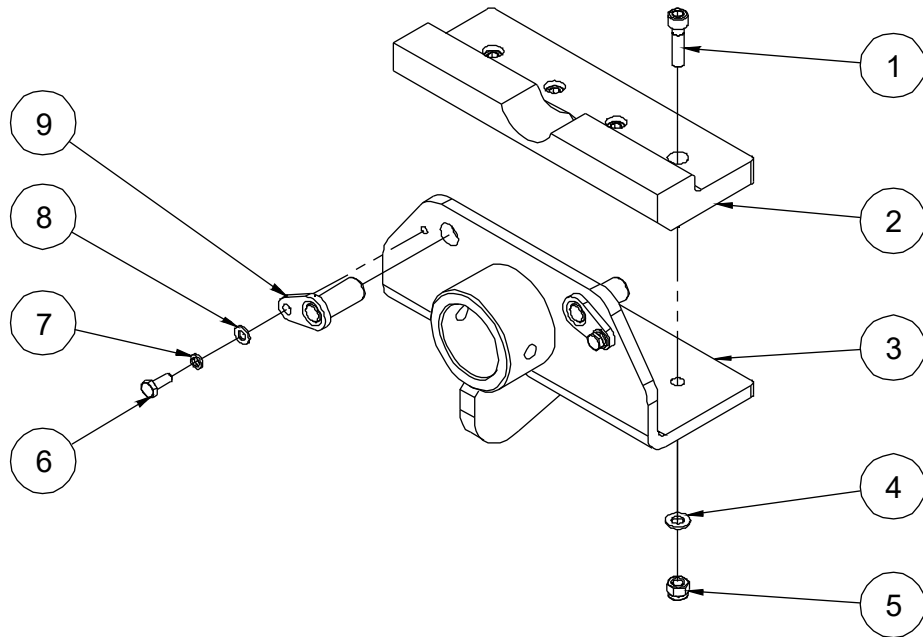
**215.1 Scissor Arm pin joint O**

Item	Part No.	Description	Qty.
1	00000392	8812-353950 Bearing	2
2	10023874	Pin	2
3	10023875	Pin fixing plate	2
4	00000814	Washer GB/T 97.1 12	2
5	00000815	Washer GB/T 93 12	2
6	00002059	Bolt GB/T 5783 M12×30	2
7	00001998	Nut GB/T 6173 M22x1.5	2
8	00002550	Washer GB/T 97.1 22	2
9	00001249	Nut GB/T 6182 M12	2
10	00006174	Bolt GB/T 5782 M12×110	2
11	10023873	Pin	1

**216.1 Scissor Arm pin joint P****216.1 Scissor Arm pin joint P**

Item	Part No.	Description	Qty.
1	00006607	8812-606565 Bearing	2
2	10023865	Pin	1
3	10024241	Washer	1
4	10023871	Spacer sleeve	1
5	00006174	Bolt GB/T 5782 M12×110	2
6	00001040	Bolt GB/T 5782 M10×100	2
7		Platform slider assembly (refet to 217.1)	2
8	00001249	Nut GB/T 6182 M12	2
9	00000623	Nut GB/T 6182 M10	10
10	10023872	Spacer sleeve	1

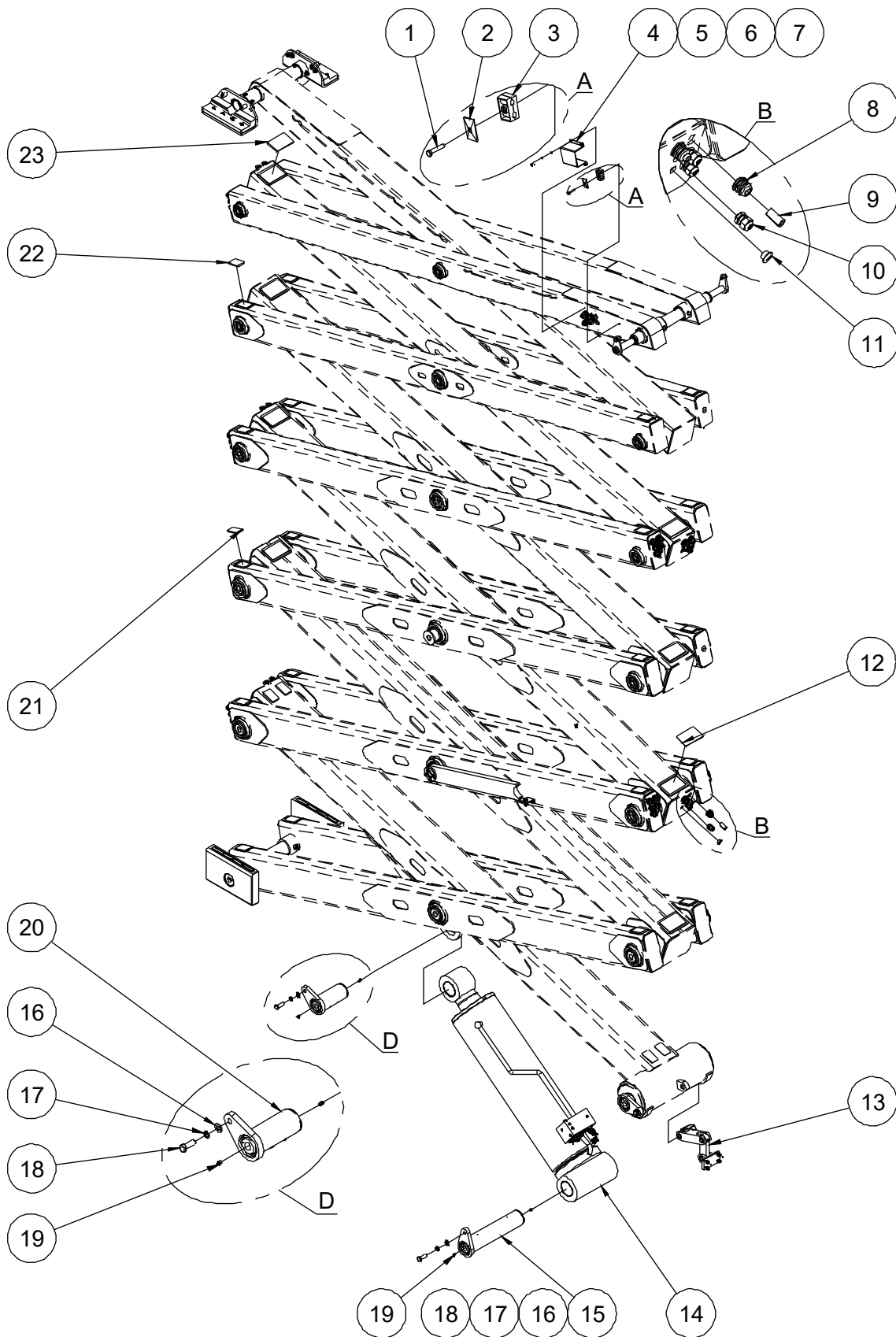
**217.1 Platform Slider Assembly**



**217.1 Platform Slider Assembly**

Item	Part No.	Description	Qty.
1	00002050	Screw GB/T 70.1 M10×40	4
2	10009349	Platform slider	1
3	10023867	Slider bracket	1
4	00000615	Washer GB/T 97.1 10	4
5	00000623	Nut GB/T 6182 M10	4
6	00000993	Bolt GB/T 5783 M8×25	2
7	00000609	Washer GB/T 93 8	2
8	00000608	Washer GB/T 97.1 8	2
9	10009353	Pin	2

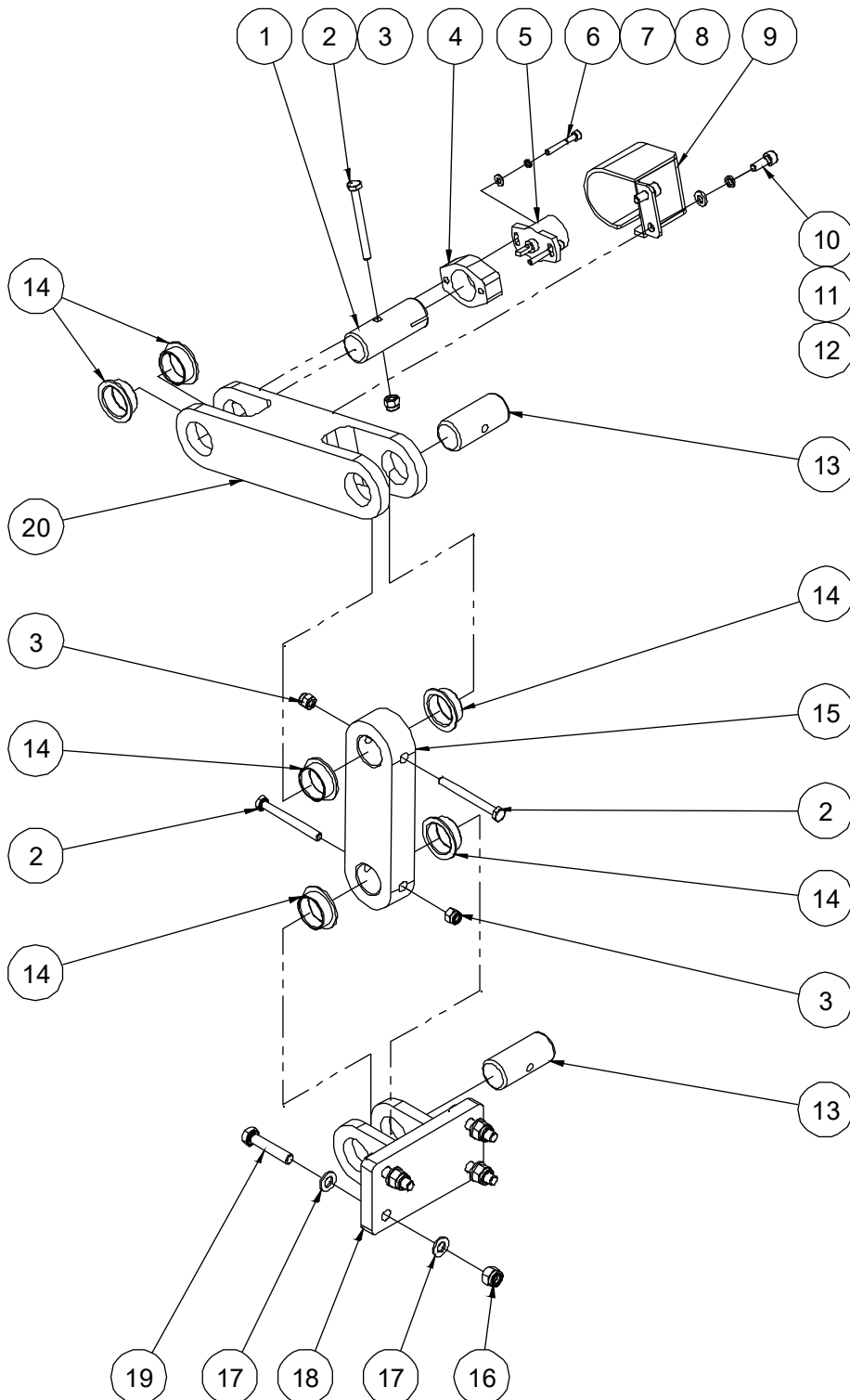
### 218.1 Lift cylinder and Scissor Accessory Installation



**218.1 Lift cylinder and Scissor Accessory Installation**

Item	Part No.	Description	Qty.
1	00002604	Bolt GB/T 5783 M8×40	1
2	10000047	Base plate	1
3	00000538	Hose clamp	1
4	10017530	Cover	1
5	00001252	Screw GB/T 70.1 M5×12	5
6	00000606	Washer GB/T 93 5	5
7	00000605	Washer GB/T 97.1 5	5
8	00001829	Water-proof joint M30×1.5	24
9	10009675	Sheath	24
10	00006128	Water-proof joint M20×1.5	36
11	00006177	Cover	16
12	10009674	Block	8
13		Rotary sensor assembly (refer to 219.1)	1
14		Lift cylinder assembly (without seal kit) (refer to 401.1)	1
15	10023882	Pin	1
16	00000997	Washer GB/T 97.1 16	3
17	00001035	Washer GB/T 93 16	3
18	00001057	Bolt GB/T 5783 M16×45	3
19	00004483	Grease nipple GB/T 1152 M10×1	40
20	10023884	Pin	1
21	10022450	Block	24
22	10025335	Block 4	1
23	10025334	Block 3	1

### 219.1 Rotary Sensor Assembly

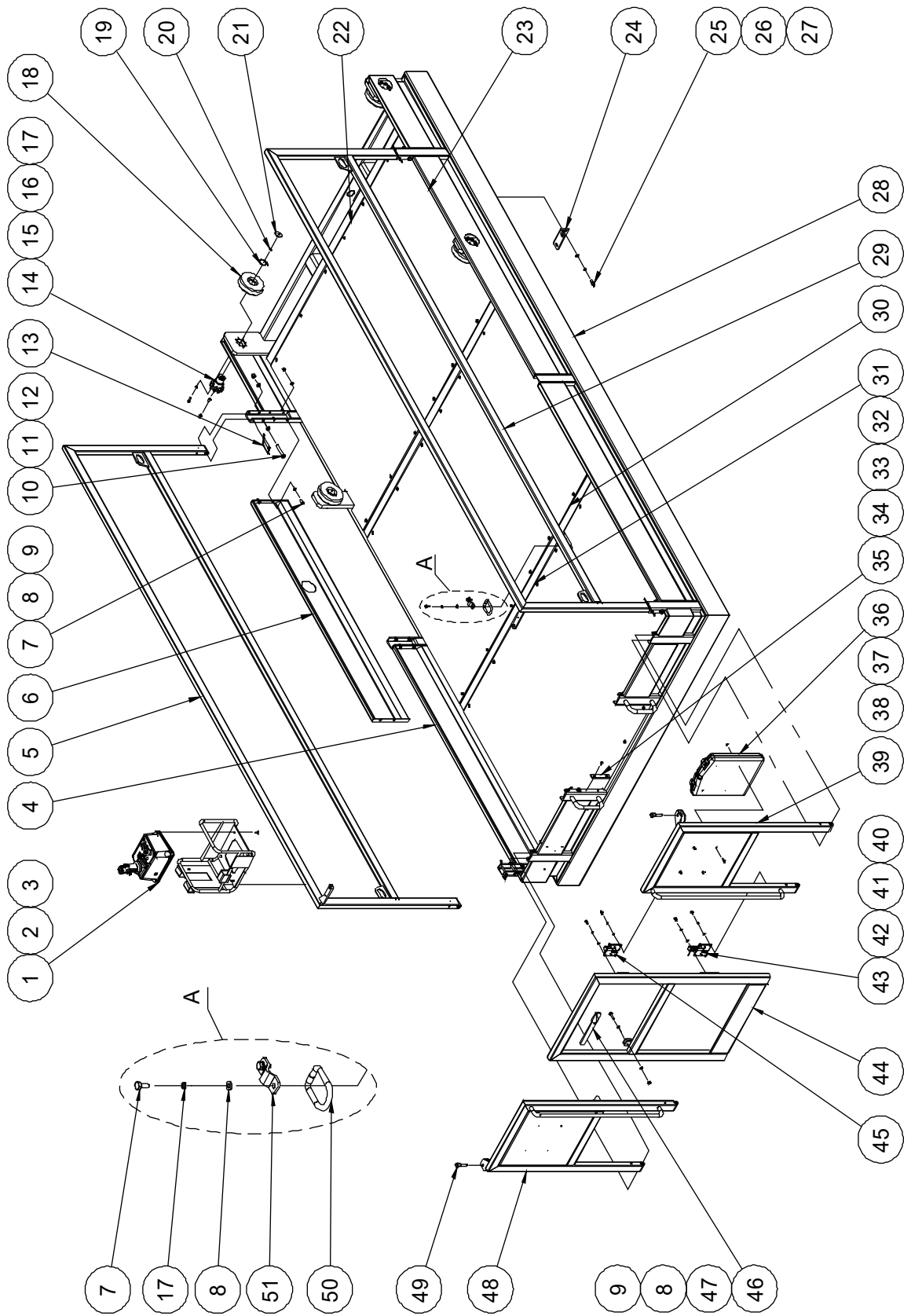


**219.1 Rotary Sensor Assembly**

Item	Part No.	Description	Qty.
1	10009584	Pin	1
2	00002335	Bolt GB/T 5782 M6×60	3
3	00001033	Nut GB/T 6182 M6	3
4	10001569	Sensor bracket	1
5	00000644	Rotary sensor	1
6	00002415	Screw GB/T 70.1 M4×30	2
7	00000779	Washer GB/T 93 4	2
8	00000778	Washer GB/T 97.1 4	2
9	10016634	Protect cover	1
10	00000876	Screw GB/T 70.1 M6×16	2
11	00000621	Washer GB/T 93 6	2
12	00000620	Washer GB/T 97.1 6	2
13	00006176	8942-2555 Pin	2
14	00006178	8822-2511 Bearing	6
15	10009583	Link plate	1
16	00001163	Nut GB/T 6182 M8	4
17	00000608	Washer GB/T 97.1 8	8
18	10009587	Bracket	1
19	00002604	Bolt GB/T 5783 M8×40	4
20	10009582	Link plate	1

# Section 3 Platform

### 301.1 Main Platform Assembly



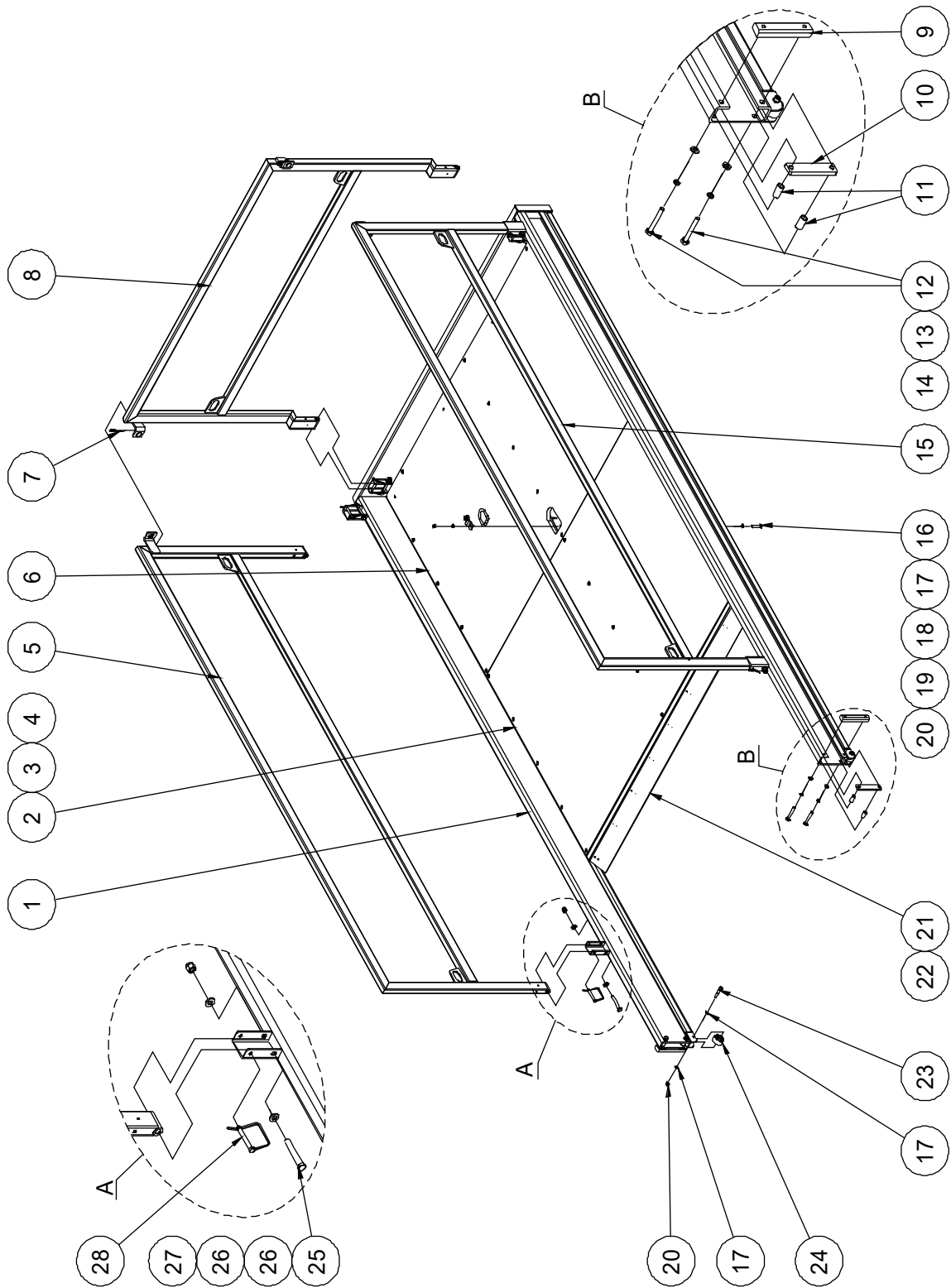
**301.1 Main Platform Assembly**

Item	Part No.	Description	Qty.
1		Platform control box assembly (refer to 303.1)	1
2	10011382	Platform control box mount bracket (without cover)	1
	10017028	Platform control box mount bracket (with cover)	1
3	00001986	Screw GB/T 818 M6×16 - H	4
4	10023273	Toeboard weldment	2
5	10023286	Right main rail	1
6	10023275	Toeboard weldment	1
7	00000875	Bolt GB/T 5783 M8×20	18
8	00000608	Washer GB/T 97.1 8	36
9	00001163	Nut GB/T 6182 M8	17
10	00002527	Bolt GB/T 5782 M12×80	9
11	00000814	Washer GB/T 97.1 12	18
12	00001249	Nut GB/T 6182 M12	9
13	10012090	Inserted pin	8
14	10014045	Pin	4
15	00005165	Screw GB/T 79 M10×20	8
16	00002555	Screw GB/T 70.1 M8×25	32
17	00000609	Washer GB/T 93 8	34
18	10011328	Roller	4
19	00000944	Washer GB/T 894.1-40	4
20	10006579	Washer	4
21	10006578	Block	4
22	10023294	Main platform deck plate 3	1
23	10023277	Toeboard weldment	1
24	10011326	Cylinder seat	1
25	00002249	Screw GB/T 70.1 M10×20	2
26	00000679	Washer GB/T 93 10	2
27	00000615	Washer GB/T 97.1 10	2
28	10023186	Main deck weldment	1

**301.1 Main Platform Assembly**

Item	Part No.	Description	Qty.
29	10023283	Left main rail	1
30	10023293	Main platform deck plate 2	1
31	10023292	Main platform deck plate 1	1
32	00006322	Rivet GB/T 12618.4 4.8×30	42
33	00003545	Washer GB/T 96.1 5	42
34	00000830	Screw GB/T 70.3 M6×16	2
35	10013186	Block	1
36	50000555	Manual box	1
37	00002523	Screw GB/T 973 M5×16	4
38	00002573	Nut GB/T 6183.1 M5	4
39	10023287	Front rail 1	1
40	00000818	Bolt GB/T 5783 M6×16	12
41	00000621	Washer GB/T 93 6	12
42	00000620	Washer GB/T 97.1 6	12
43	10000302	Hinge B	1
44	10011318	Entry gate	1
45	10000299	Hinge A	1
46	10011325	Latch handle	1
47	00002604	Bolt GB/T 5783 M8×40	1
48	10023288	Front rail 2	1
49	10012192	Inserted pin	2
50	10018898	Ring	1
51	10018899	Ring bracket	1

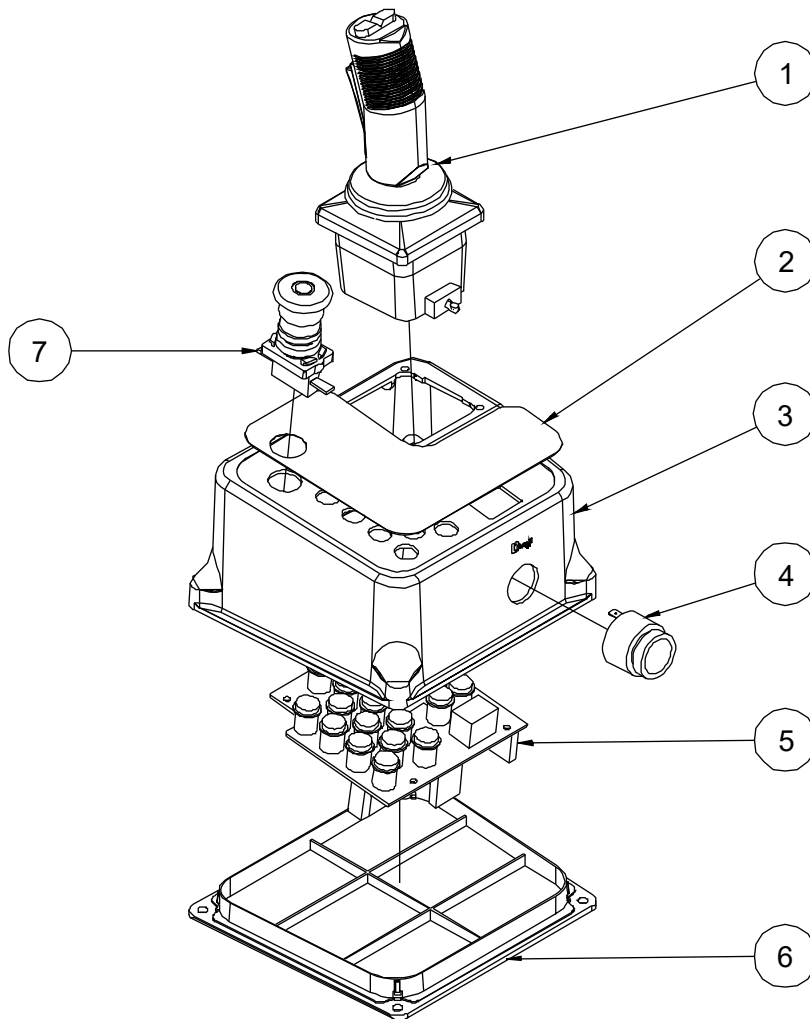
### 302.1 Platform Extension Assembly



**302.1 Platform Extension Assembly**

Item	Part No.	Description	Qty.
1	10023296	Extension deck weldment	1
2	10023664	Platform extension deck plate	1
3	00006322	Rivet GB/T 12618.4 4.8×30	30
4	00003545	Washer GB/T 96.1 5	30
5	10023656	Right extension rail	1
6	10023665	Platform extension deck plate	1
7	10011337	Cotter pin	2
8	10023660	Rear rail	1
9	10011376	Baffle plate	2
10	10011377	Baffle plate	2
11	10011378	Spacer sleeve	4
12	00002512	Bolt GB/T 5782 M10×70	4
13	00000679	Washer GB/T 93 10	4
14	00000615	Washer GB/T 97.1 10	4
15	10023659	Left extension rail	1
16	00003607	Bolt GB/T 5783 M8×50	2
17	00000608	Washer GB/T 97.1 8	8
18	10018898	Ring	1
19	10018899	Ring bracket	1
20	00001163	Nut GB/T 6182 M8	4
21	10023663	Rubber plate	1
22	00001991	Rivet GB/T 12618.4 4.8×16	18
23	00003136	Screw GB/T 70.1 M8×55	2
24	10011379	Roller	2
25	00002527	Bolt GB/T 5782 M12×80	6
26	00000814	Washer GB/T 97.1 12	12
27	00001249	Nut GB/T 6182 M12	6
28	10012090	Inserted pin	6

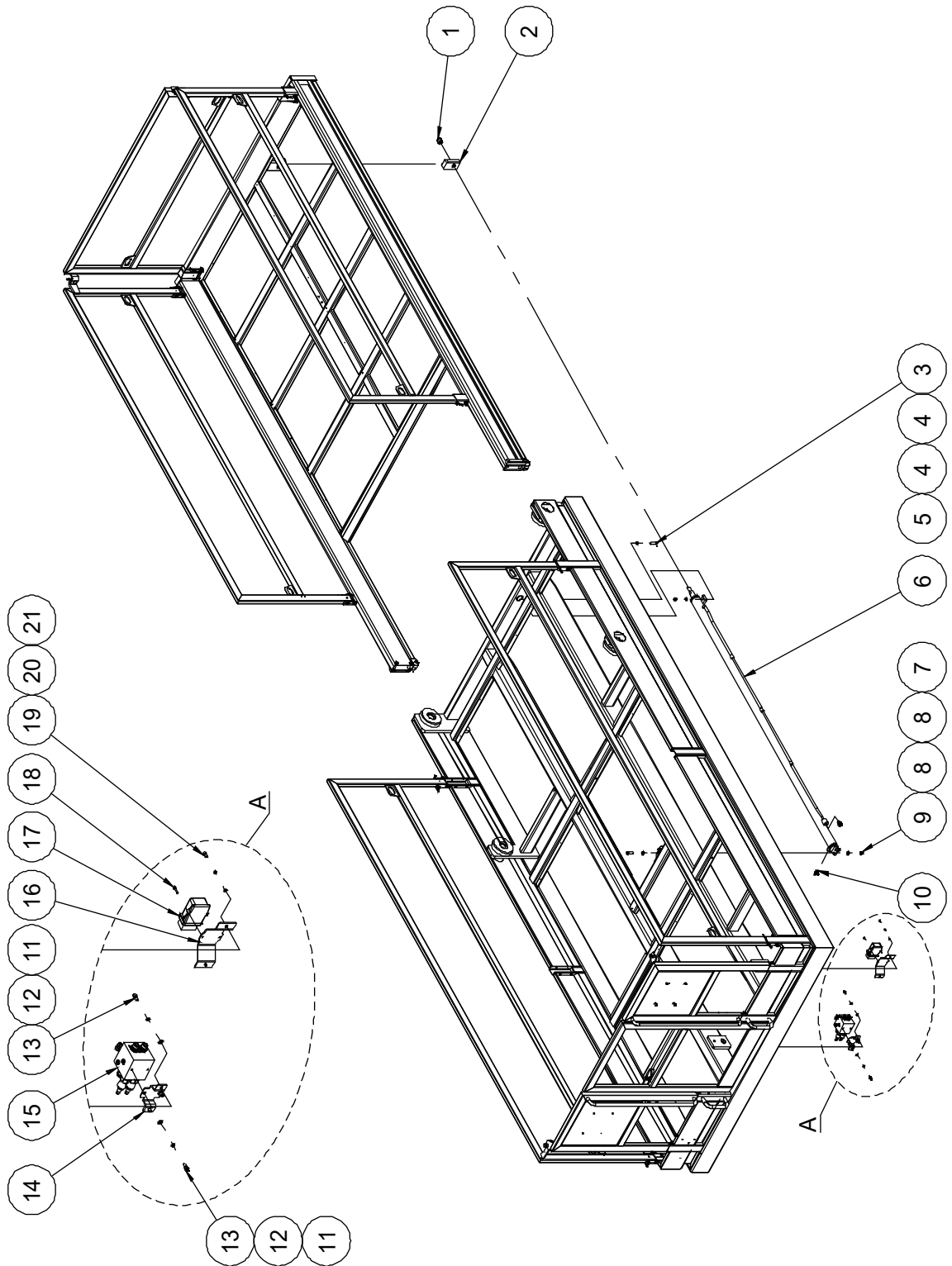
**303.1 Platform Control Box Assembly**



**303.1 Platform Control Box Assembly**

Item	Part No.	Description	Qty.
1	00004358	Joystick	1
2	09140043	Decal, Platform control panel	1
3	00004356	Enclosure	1
4	00000712	Alarm	1
5	00004357	Main board	1
6	00004355	Cover bottom	1
7	00000713	Emergency stop switch	1

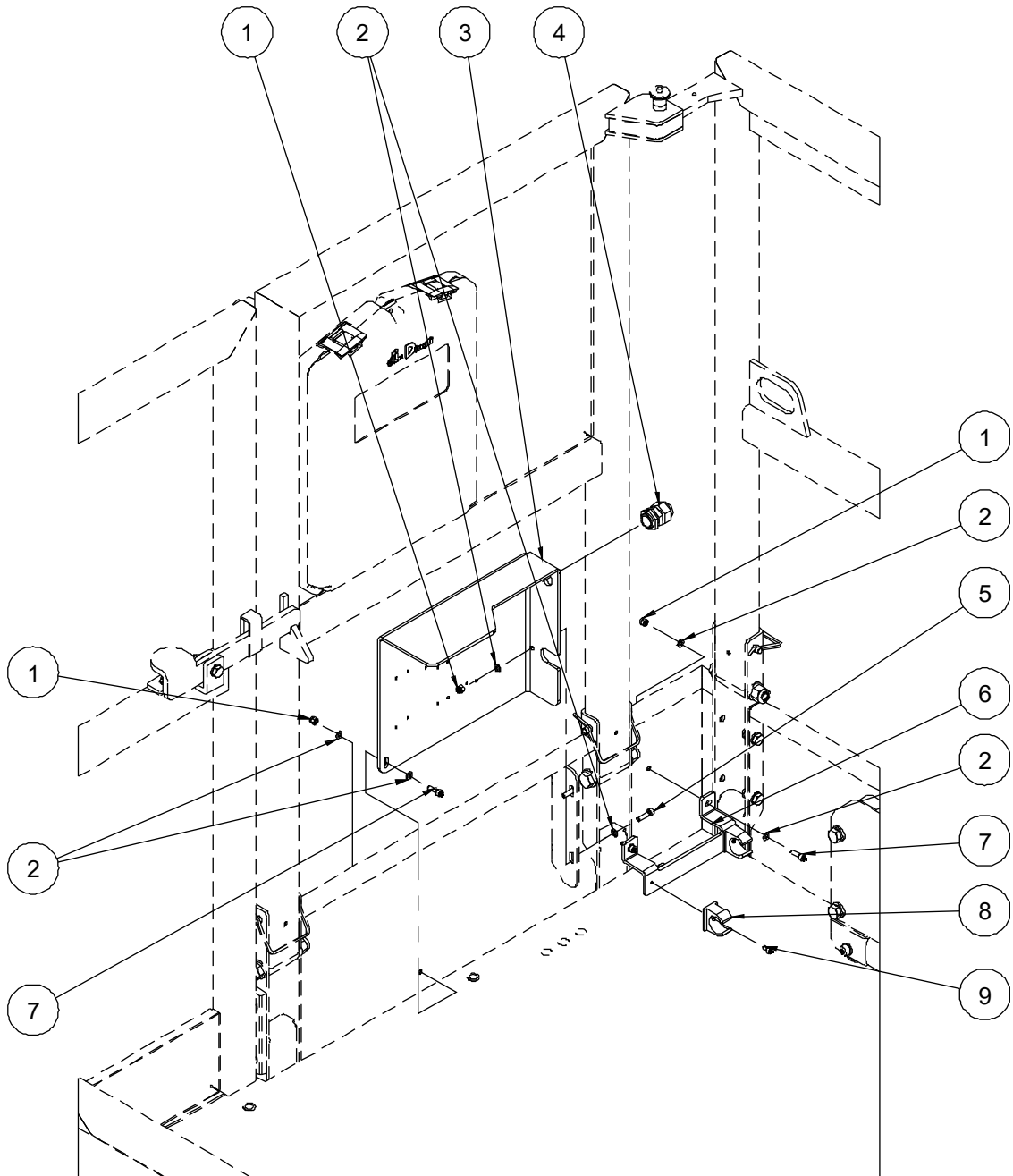
### 304.1 Top Telescopic Cylinder Assembly



**304.1 Top Telescopic Cylinder Assembly**

Item	Part No.	Description	Qty.
1	00001051	Nut GB/T 6182 M20	1
2	10018458	Locating plate	1
3	00002411	Bolt GB/T 5783 M10×45	2
4	00000615	Washer GB/T 97.1 10	4
5	00000623	Nut GB/T 6182 M10	2
6	10023610	Extension cylinder	1
--	00006645	Seal kit	1
7	00001055	Bolt GB/T 5783 M12×40	2
8	00000814	Washer GB/T 97.1 12	4
9	00001249	Nut GB/T 6182 M12	2
10	00001294	Straight fitting	2
11	00000608	Washer GB/T 97.1 8	4
12	00000609	Washer GB/T 93 8	4
13	00002051	Screw GB/T 70.1 M8×16	4
14	10011369	Bracket	1
15		Counterbalance manifold assembly (refer to 406.1)	1
16	10023668	Bracket	1
17	00009805	Load sensor amplifier	1
18	00000817	Screw GB/T 70.1 M5×20	2
19	00002029	Screw GB/T 70.1 M6×12	2
20	00000621	Washer GB/T 93 6	2
21	00000620	Washer GB/T 97.1 6	2

**305.1 Platform cable plate**

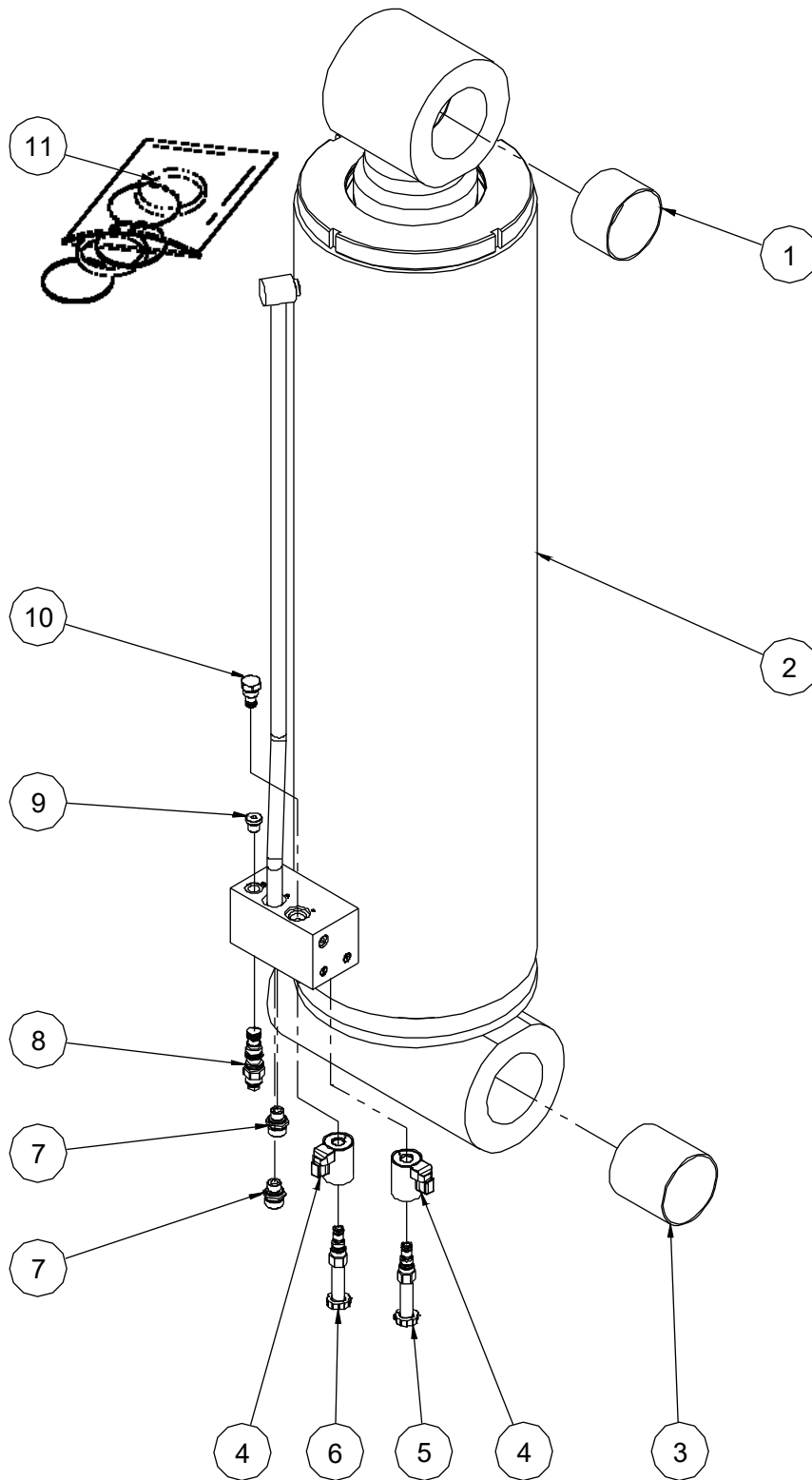


**305.1 Platform cable plate**

Item	Part No.	Description	Qty.
1	00000613	Nut GB/T 6182 M5	5
2	00000605	Washer GB/T 97.1 5	10
3	10013157	Socket mount plate	1
4	00001828	Water-proof joint M20	1
5	00000817	Screw GB/T 70.1 M5×20	2
6	10019830	Bracket	1
7	00001246	Screw GB/T 70.1 M5×16	3
8	00001823	Clip 24	2
9	00001987	Screw GB/T 70.1 M4×8	2

# Section 4 Hydraulic System

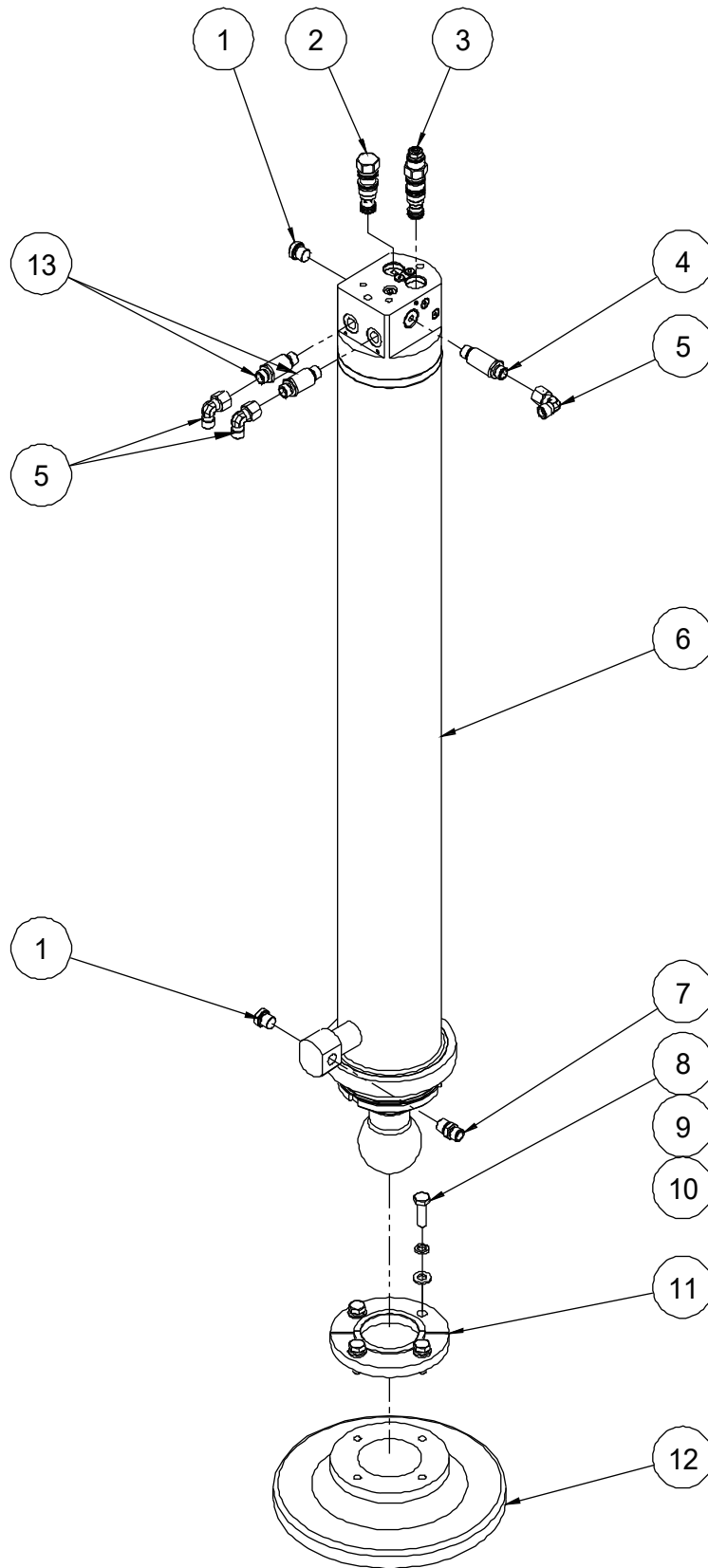
### 401.1 Lift Cylinder Assembly



**401.1 Lift Cylinder Assembly**

<b>Item</b>	<b>Part No.</b>	<b>Description</b>	<b>Qty.</b>
1	00010028	8812-859060A Bearing	2
2	10023601	Lift cylinder	1
3	00010091	8812-859090A Bearing	2
4	00004592	Coil	2
5	00004591	Solenoid valve spool	1
6	00006453	Proportional valve	1
7	00001265	Straight fitting	2
8	00004587	Counterbalance valve spool	1
9	00001073	Plug VSTI14×1.5ED	1
10	10000404	Check valve	1
11	00010372	Seal kit	1

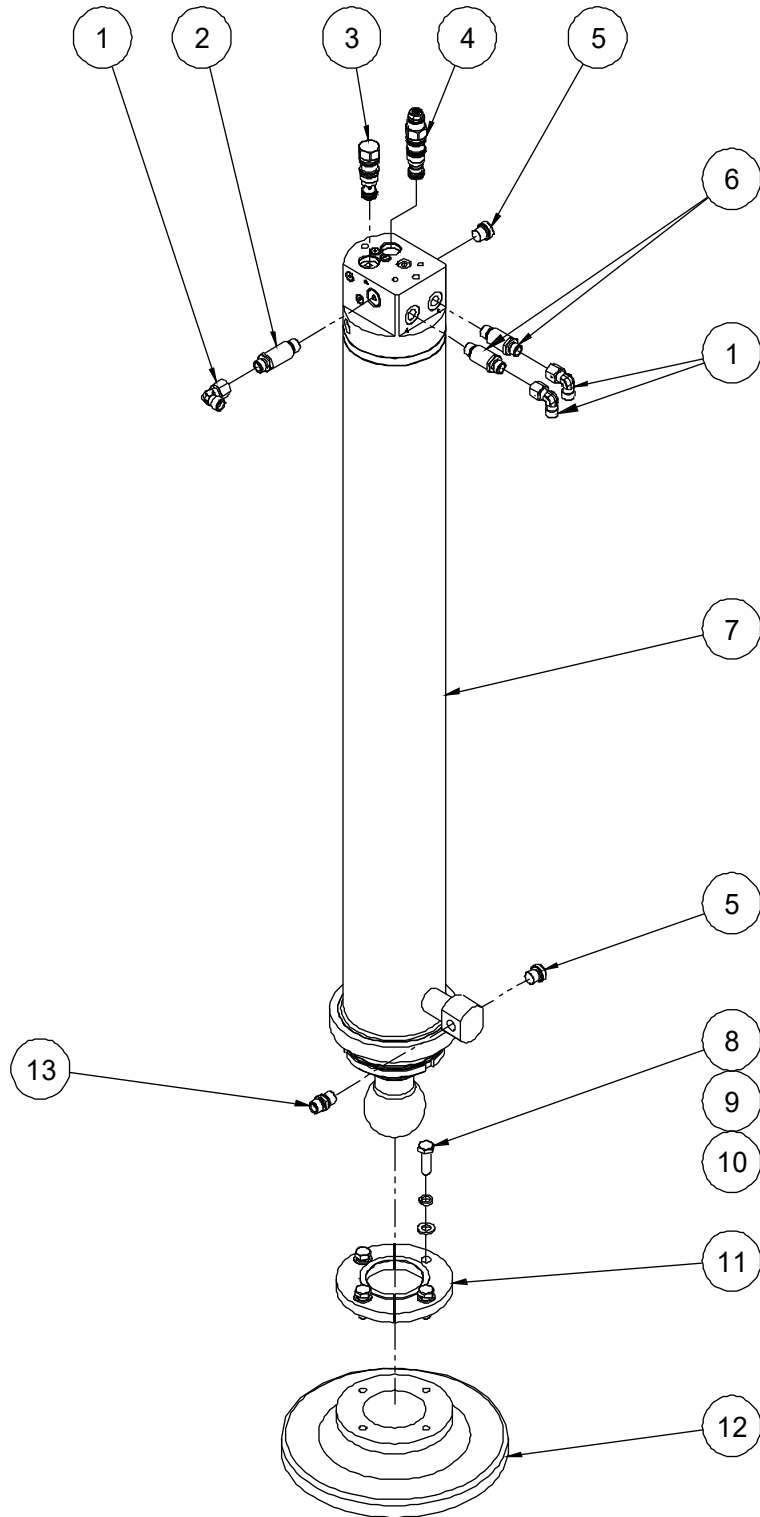
### 402.1 Left Outrigger Cylinder Assembly



**402.1 Left Outrigger Cylinder Assembly**

Item	Part No.	Description	Qty.
1	00001073	Plug VST114×1.5ED	2
2	00009693	Pilot-operated check valve (CK1, CK2, CK3, CK4)	1
3	00009755	Counterbalance valve spool (CB1, CB2, CB3, CB4)	1
4	00010021	Straight fitting	1
5	00001832	Elbow	3
6	10022637	Outrigger cylinder	1
--	00009694	Seal kit	1
6	10022402	Outrigger cylinder	1
--	00010865	Seal kit	1
7	00001282	Straight fitting	1
8	00000683	Bolt GB/T 5783 M10×30	4
9	00000679	Washer GB/T 93 10	4
10	00000615	Washer GB/T 97.1 10	4
11	10011095	Retainer	1
12	10011094	Outrigger footpad	1
13	00003758	Elbow	2

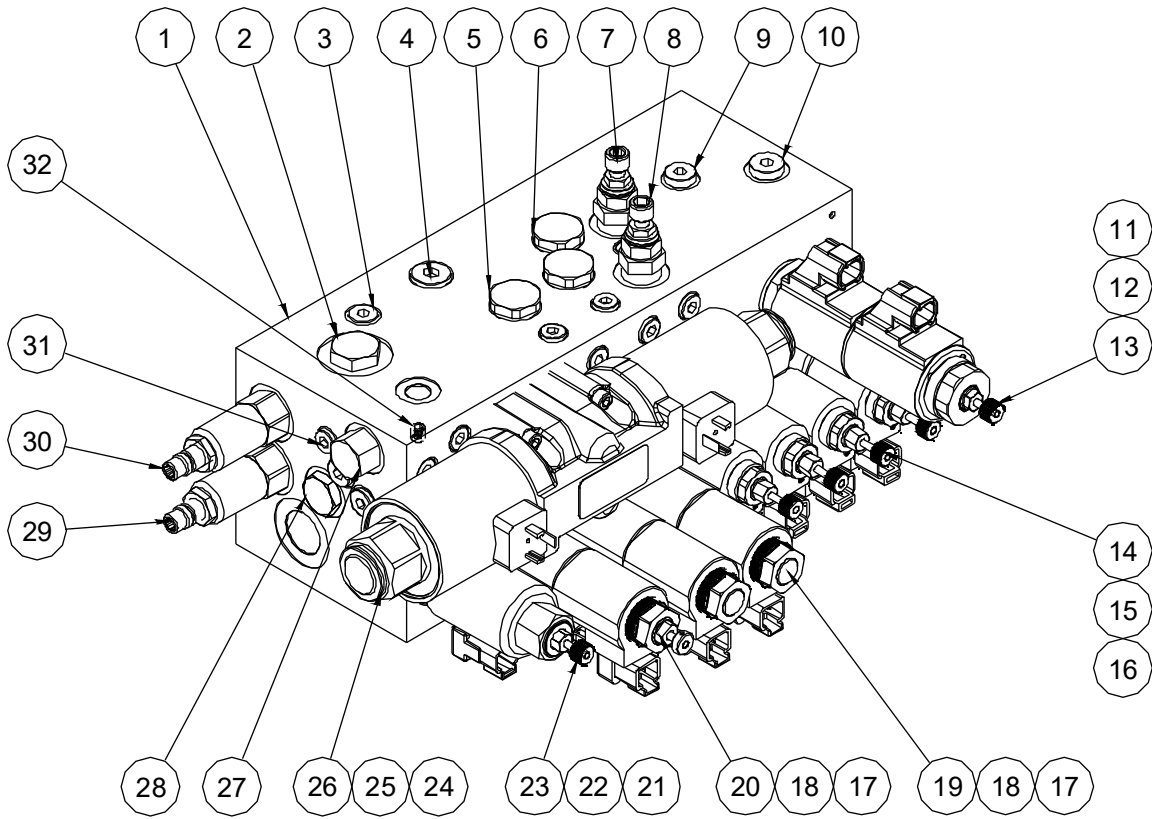
### 403.1 Right Outrigger Cylinder Assembly



**403.1 Right Outrigger Cylinder Assembly**

Item	Part No.	Description	Qty.
1	00001832	Elbow	3
2	00010021	Straight fitting	1
3	00009693	Pilot-operated check valve (CK1, CK2, CK3, CK4)	1
4	00009755	Counterbalance valve spool (CB1, CB2, CB3, CB4)	1
5	00001073	Plug VST114×1.5ED	2
6	00003758	Straight fitting	2
7	10022637	Outrigger cylinder	1
--	00009694	Seal kit	1
7	10022402	Outrigger cylinder	1
--	00010865	Seal kit	1
8	00000683	Bolt GB/T 5783 M10×30	4
9	00000679	Washer GB/T 93 10	4
10	00000615	Washer GB/T 97.1 10	4
11	10011095	Retainer	1
12	10011094	Outrigger footpad	1
13	00001282	Straight fitting	1

### 404.1 Function Manifold



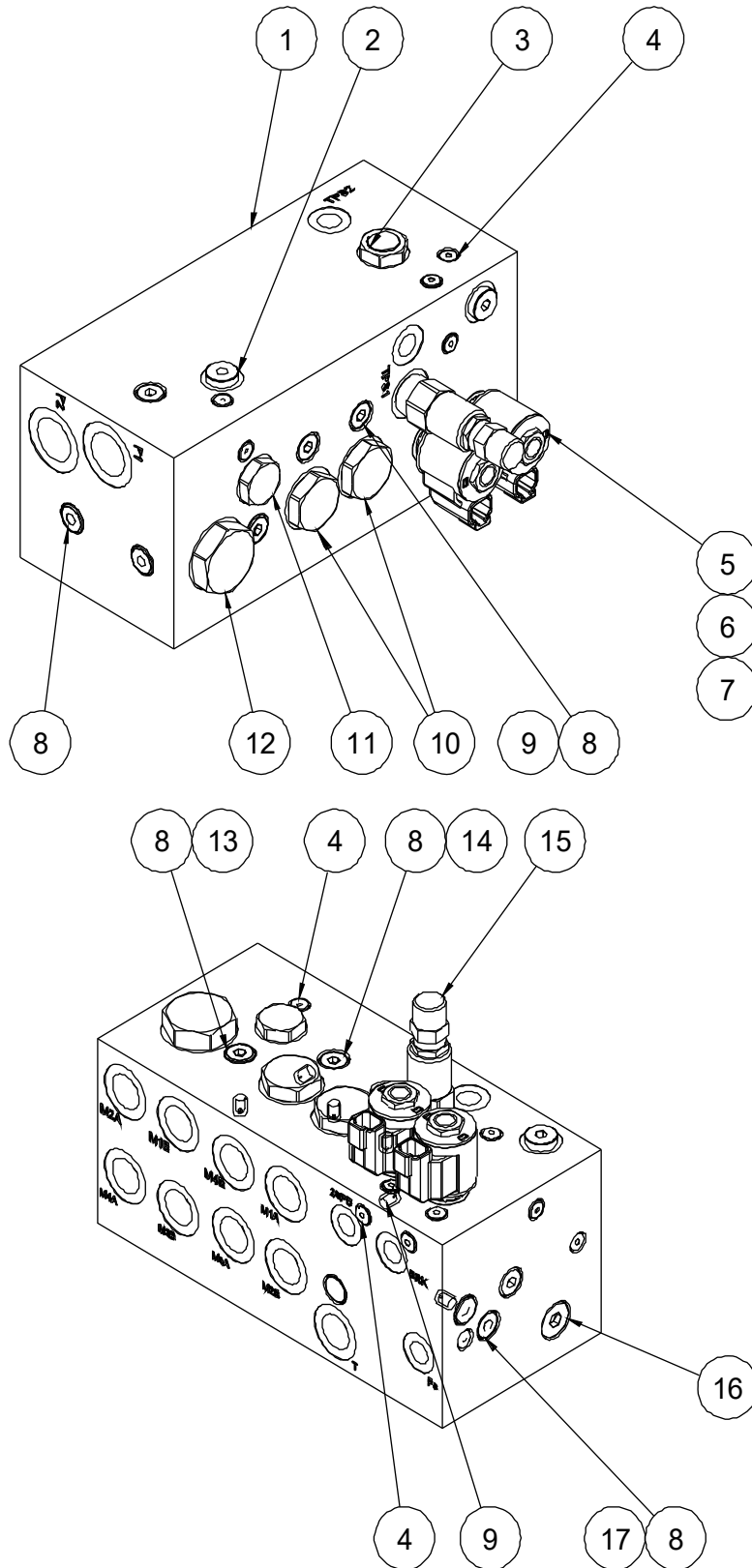
**404.1 Function Manifold**

Item	Part No.	Description	Qty.
1	00007313	Valve body	1
2	00006446	Plug (CP1)	1
3	00003361	Plug SAE6	11
4	00003351	Plug SAE8	1
5	00007749	Pilot Operated Check Valve (POC1, POC2, POC3, POC4)	4
6	00007746	Shuttle valve (SH1, SH2)	2
7	00007748	Relief valve (RV3)	1
8	00007747	Relief valve (RV4)	1
9	00001072	Plug VST112×1.5ED	1
10	00001073	Plug VST114×1.5ED	3
11	00003318	Coil	2
12	00003354	Nut	1
13	00000313	Solenoid valve spool (SV5)	1
14	00000312	Solenoid valve spool (SV4, SV6, SV7, SV8)	4
15	00003320	Coil	4
16	00003352	Nut	4
17	00003319	Coil	6
18	00003353	Nut	3
19	00004307	Proportional valve (SV2, SV3)	2
20	00007750	Solenoid valve spool (SV9)	1
21	00000314	Coil	1
22	00004340	Nut	1
23	00000310	Proportional valve (PV1)	1
24	00004418	Screw GB/T 70.1 M6×40	4
25	00000621	Washer GB/T 93 6	4
26	00000306	Solenoid valve (SV1)	1
27	00004313	Flow control valve (FC1)	1
28	00003677	Plug (CP2)	1
29	00004327	Relief valve (RV1)	1

**404.1 Function Manifold**

Item	Part No.	Description	Qty.
30	00003293	Relief valve (RV2)	1
31	00002998	Plug SAE4	25
32	00000274	Orifice M8×1_Φ0.75	1

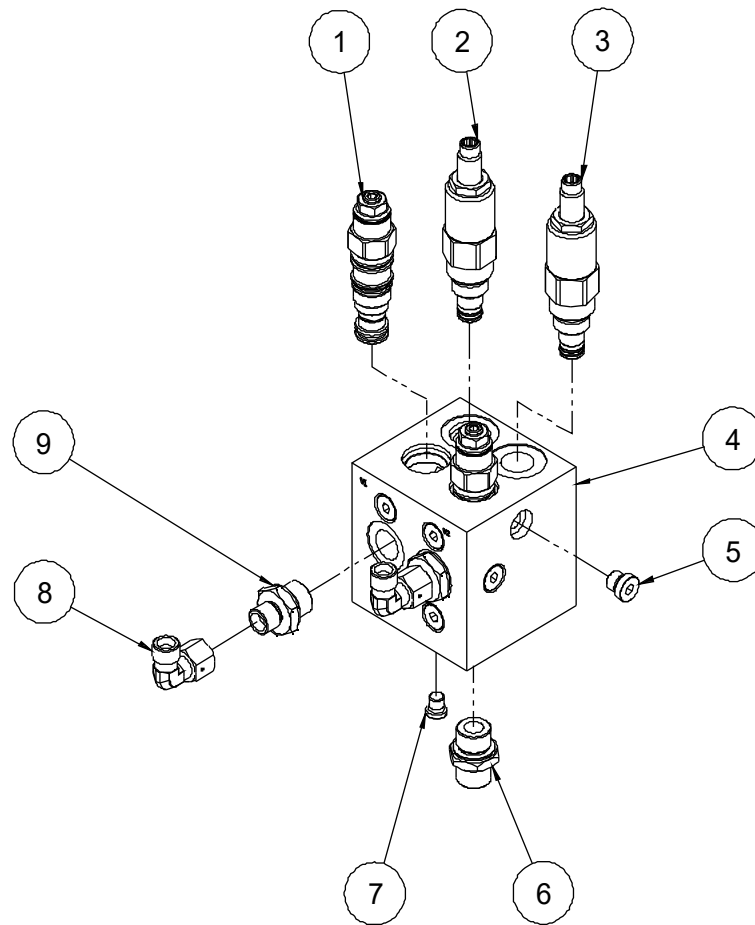
405.1 Drive Manifold



**405.1 Drive Manifold**

Item	Part No.	Description	Qty.
1	00009984	Valve body	1
2	00001073	Plug VST114×1.5ED	2
3	00003920	Shuttle valve (HS1)	1
4	00002999	Plug SAE2	13
5	00004091	Coil	2
6	00003916	Solenoid valve spool (SV12, SV13)	2
7	00003017	Nut	2
8	00003361	Plug SAE6	12
9	00003000	Orifice $\Phi 1.0$	2
10	00003918	Flow divider/combiner valve (FD1, FD2)	2
11	00003921	Shuttle valve (LS1)	1
12	00003919	Flow divider/combiner valve (FD3)	1
13	00004600	Orifice 3/8-16_ $\Phi 2.3$	1
14	00004596	Orifice 3/8-16_ $\Phi 1.3$	1
15	00003922	Relief valve (RV1)	1
16	00003351	Plug SAE8	1
17	00003578	Orifice $\Phi 0.8$	2

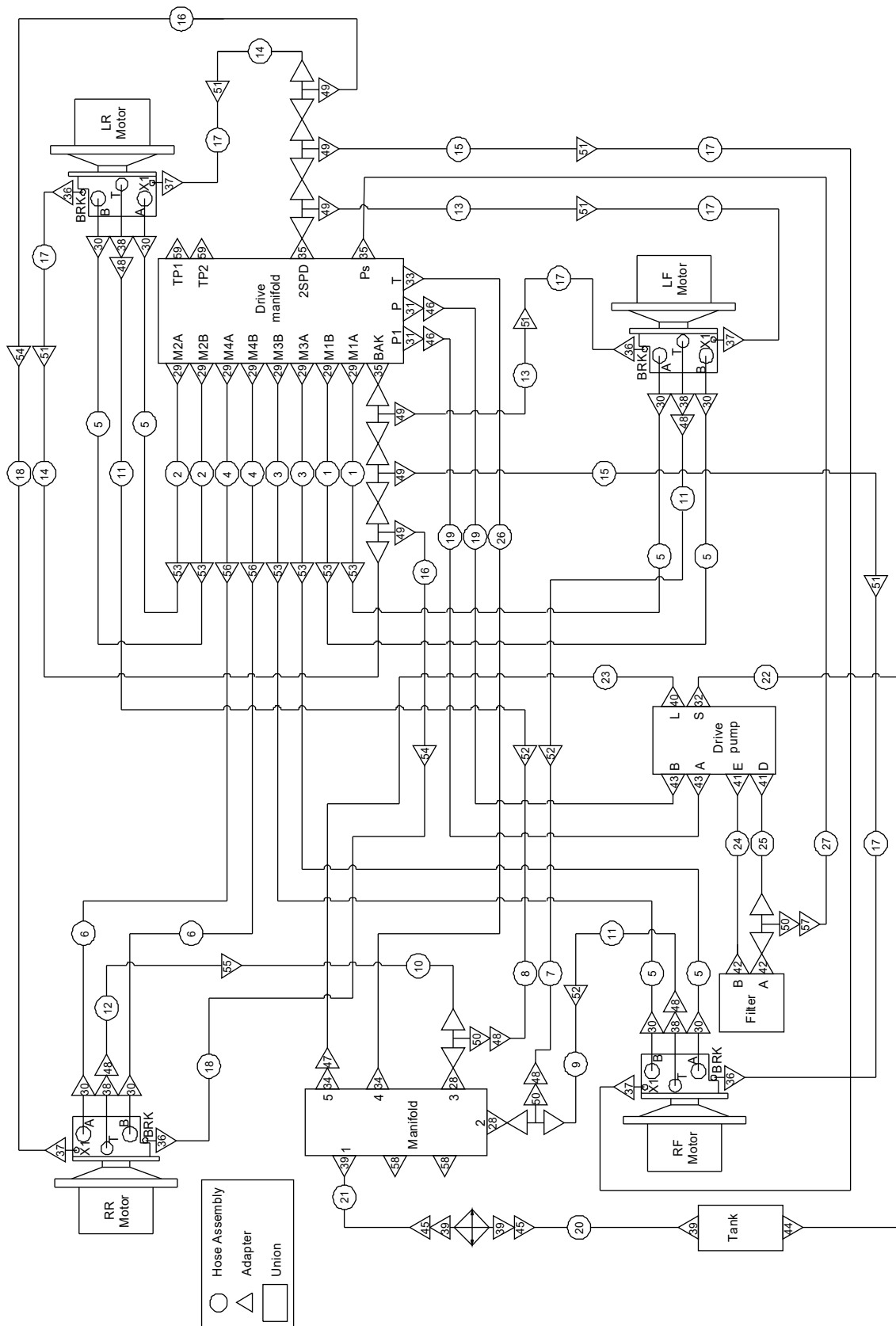
**406.1 Counterbalance Manifold Assembly**



**406.1 Counterbalance Manifold Assembly**

Item	Part No.	Description	Qty.
1	00007257	Counterbalance valve spool	2
2	00006792	Relief valve	1
3	00007258	Relief valve	1
4	00007256	Valve body	1
5	00001112	Plug VST11/8ED	8
6	00001262	Straight fitting	2
7	00002999	Plug SAE2	2
8	00001832	Elbow	2
9	00005693	Straight fitting	2

407.1 Hydraulic Hoses and Fittings - Drive



**407.1 Hydraulic Hoses and Fittings - Drive**

Item	Part No.	Description	Qty.
1	00010043	Hose assembly	2
2	00006366	Hose assembly	2
3	00010044	Hose assembly	2
4	00006637	Hose assembly	2
5	00006369	Hose assembly	6
6	00010046	Hose assembly	2
7	00010047	Hose assembly	1
8	00009107	Hose assembly	1
9	00010048	Hose assembly	1
10	00006373	Hose assembly	1
11	00006375	Hose assembly	3
12	00010049	Hose assembly	1
13	00008863	Hose assembly	2
14	00006378	Hose assembly	2
15	00010050	Hose assembly	2
16	00003642	Hose assembly	2
17	00002300	Hose assembly	6
18	00010045	Hose assembly	2
19	00006379	Hose assembly	2
20	00010051	Hose assembly	1
21	00010121	Hose assembly	1
22	00006806	Hose assembly	1
23	00010353	Hose assembly	1
24	00002276	Hose assembly	1
25	00004546	Hose assembly	1
26	00010354	Hose assembly	1
27	00006351	Hose assembly	1
28	00001266	Straight fitting	2
29	00001283	Straight fitting	8

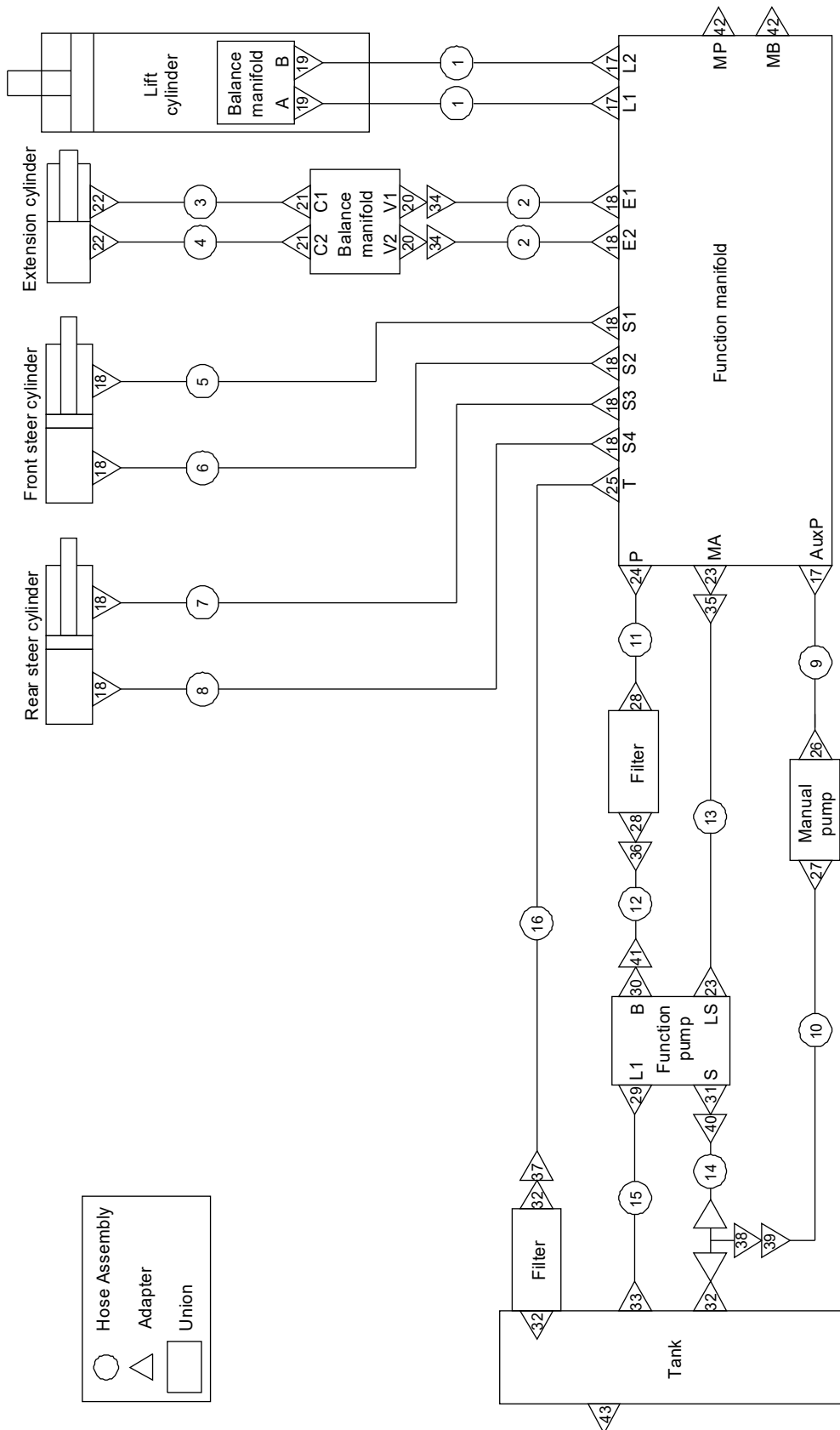
**407.1 Hydraulic Hoses and Fittings - Drive**

Item	Part No.	Description	Qty.
30	00002073	Straight fitting	8
31	00001285	Straight fitting	2
32	00006807	Straight fitting	1
33	00001270	Straight fitting	1
34	00001269	Straight fitting	2
35	00001282	Straight fitting	3
36	00001769	Straight fitting	4
37	00002072	Straight fitting	4
38	00001775	Straight fitting	4
39	00002071	Straight fitting	4
40	00001780	Straight fitting	1
41	00001776	Straight fitting	2
42	00002069	Straight fitting	2
43	00001790	Straight fitting	2
44	00003964	Straight fitting	1
45	00001837	Elbow	2
46	00001842	Elbow	2
47	00001836	Elbow	1
48	00001835	Elbow	6
49	00001237	Tee fitting	6
50	00001240	Tee fitting	3
51	00002135	Straight fitting	6
52	00002138	Straight fitting	3
53	00002145	Straight fitting	6
54	00003867	Elbow	2
55	00003870	Elbow	1
56	00004349	Elbow	2
57	00005926	Straight fitting	1
58	00001074	Plug VSTI16×1.5ED	2

**407.1 Hydraulic Hoses and Fittings - Function**

Item	Part No.	Description	Qty.
59	00001073	Plug VST114×1.5ED	2

408.1 Hydraulic Hoses and Fittings - Function



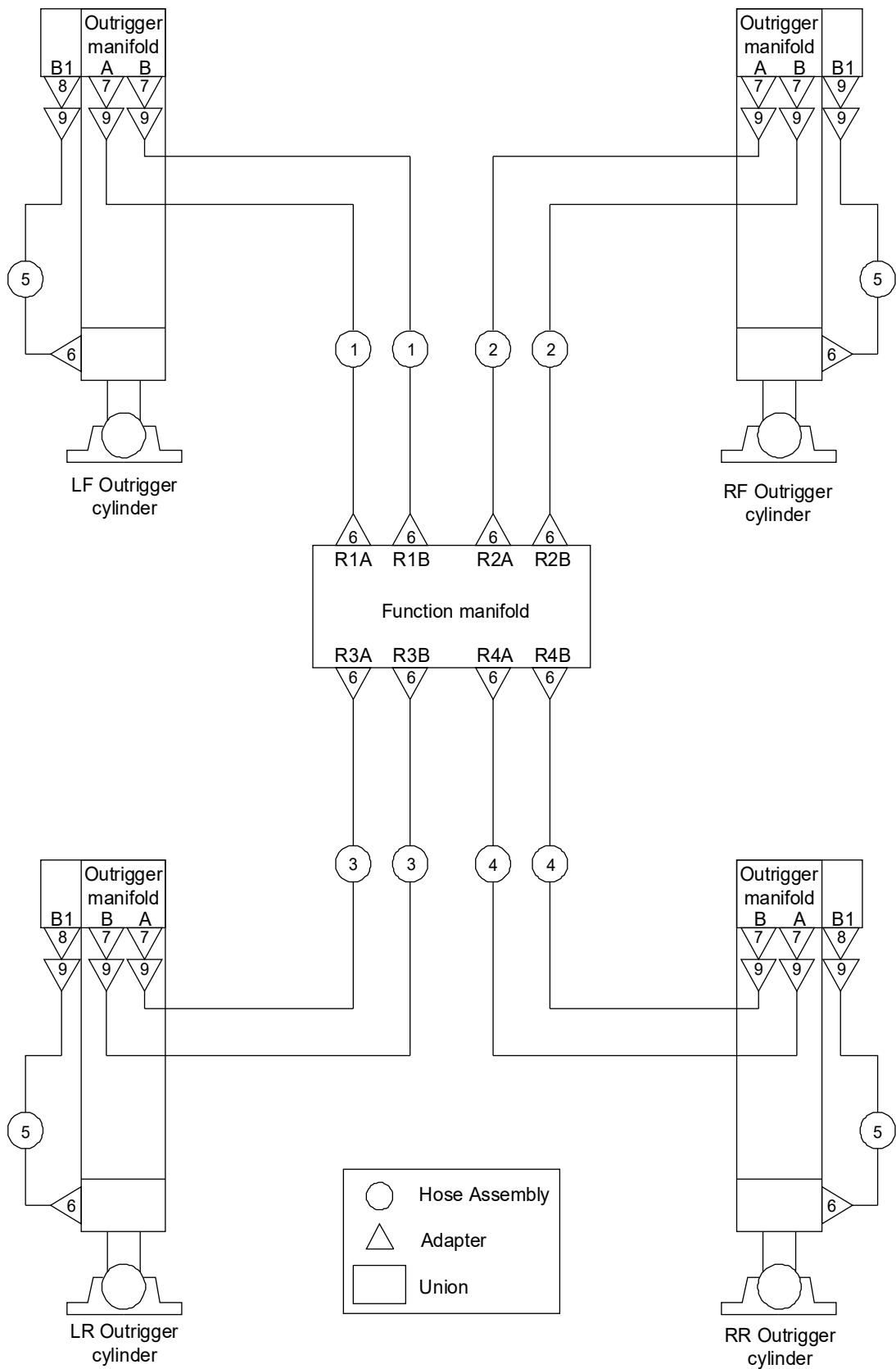
**408.1 Hydraulic Hoses and Fittings - Function**

Item	Part No.	Description	Qty.
1	00007083	Hose assembly	2
2	00010039	Hose assembly	2
3	00010040	Hose assembly	1
4	00010041	Hose assembly	1
5	00010042	Hose assembly	1
6	00007060	Hose assembly	1
7	00007085	Hose assembly	1
8	00006352	Hose assembly	1
9	00010351	Hose assembly	1
10	00010352	Hose assembly	1
11	00006358	Hose assembly	1
12	00006360	Hose assembly	1
13	00006361	Hose assembly	1
14	00006362	Hose assembly	1
15	00006573	Hose assembly	1
16	00006364	Hose assembly	1
17	00001266	Straight fitting	3
18	00001282	Straight fitting	10
19	00001265	Straight fitting	2
20	00005693	Straight fitting	2
21	00001262	Straight fitting	2
22	00002921	Straight fitting	2
23	00001290	Straight fitting	2
24	00004466	Straight fitting	1
25	00002071	Straight fitting	1
26	00001507	Straight fitting	1
27	00001506	Straight fitting	1
28	00003963	Straight fitting	2
29	00001264	Straight fitting	1

**408.1 Hydraulic Hoses and Fittings - Function**

Item	Part No.	Description	Qty.
30	00006180	Flange adapter	1
31	00006427	Flange adapter	1
32	00003964	Straight fitting	3
33	00006556	Straight fitting	1
34	00001832	Elbow	2
35	00001833	Elbow	1
36	00001842	Elbow	1
37	00001837	Elbow	1
38	00001242	Tee fitting	1
39	00003844	Straight fitting	1
40	90009892	Flange	1
41	90003625	Flange	1
42	00001073	Plug VST114×1.5ED	2
43	00001074	Plug VST116×1.5ED	1

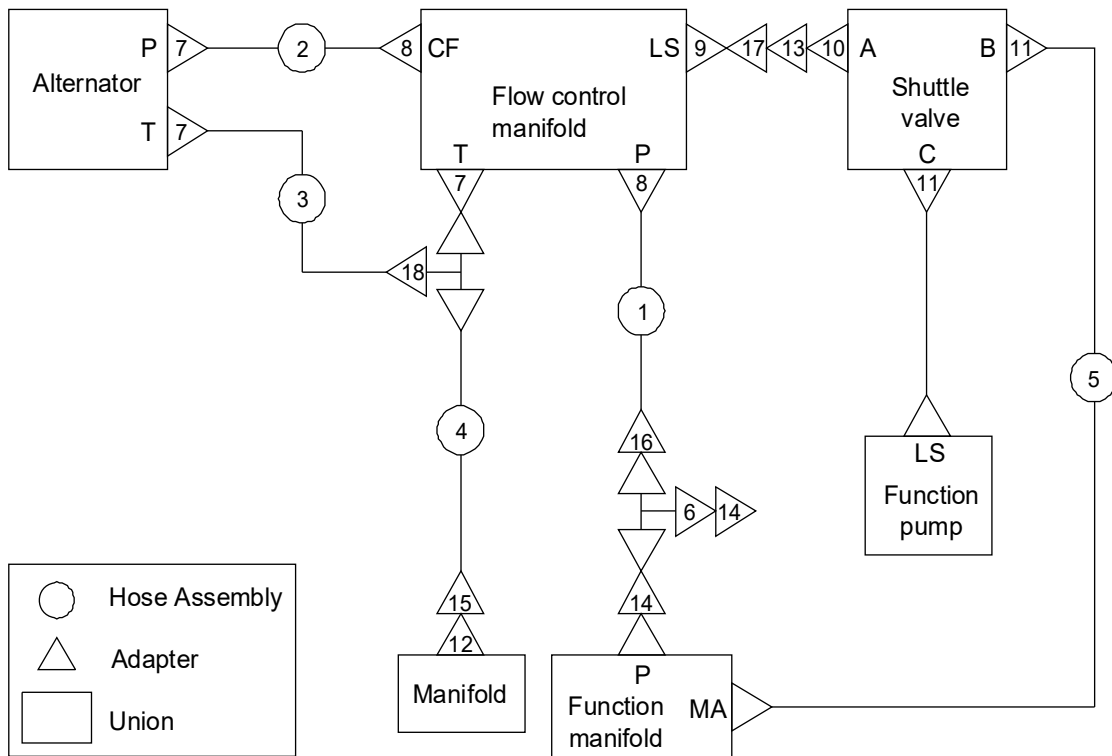
**409.1 Hydraulic Hoses and Fittings - Outrigger**



**409.1 Hydraulic Hoses and Fittings - Outrigger**

<b>Item</b>	<b>Part No.</b>	<b>Description</b>	<b>Qty.</b>
1	00007094	Hose assembly	2
2	00009524	Hose assembly	2
3	00007093	Hose assembly	2
4	00006385	Hose assembly	2
5	00006388	Hose assembly	4
6	00001282	Straight fitting	12
7	00003758	Straight fitting	8
8	00010021	Straight fitting	4
9	00001832	Elbow	12

**410.1 Hydraulic Hoses and Fittings - Alternator (Option)**

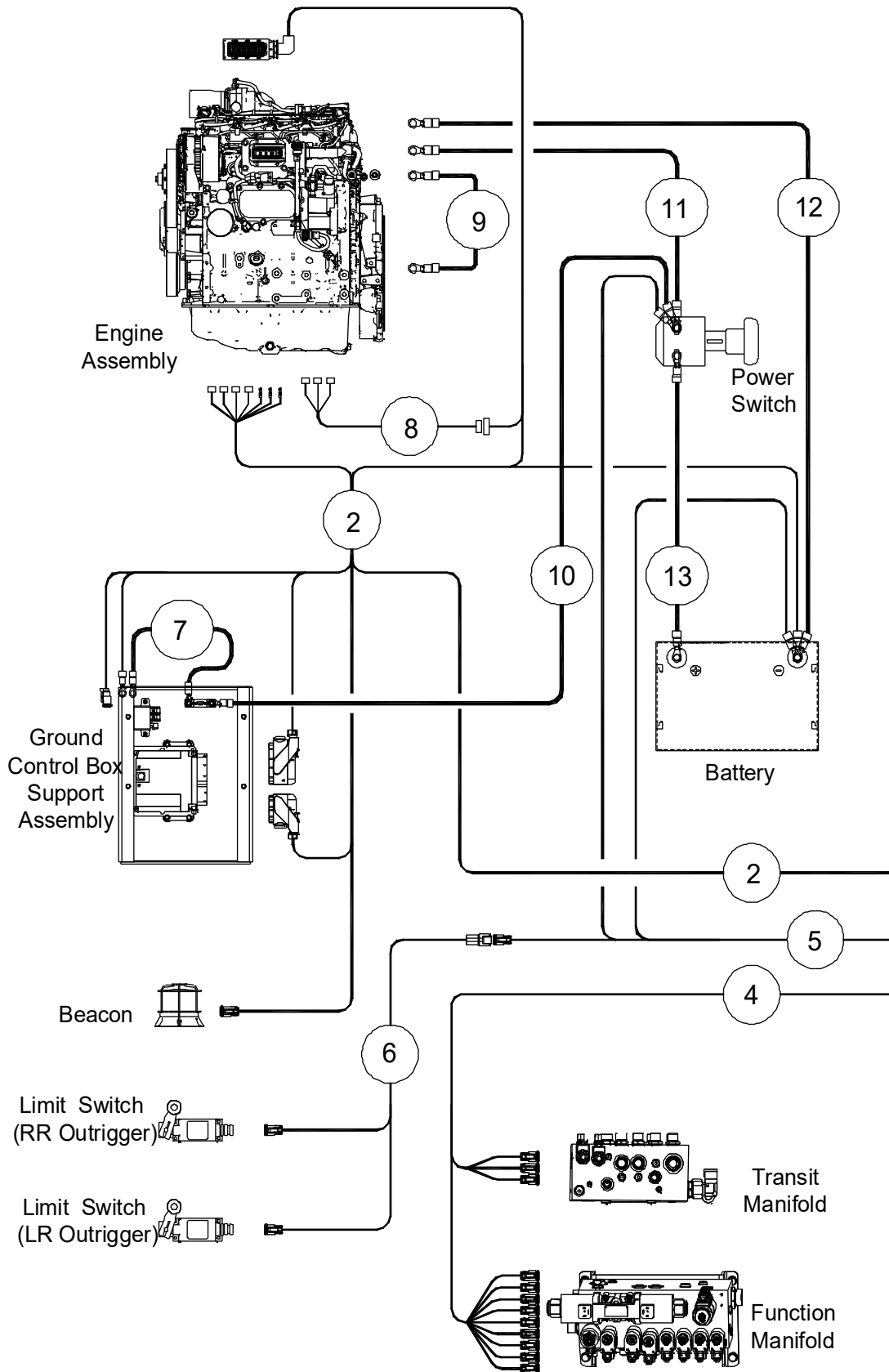


**410.1 Hydraulic Hoses and Fittings - Alternator (Option)**

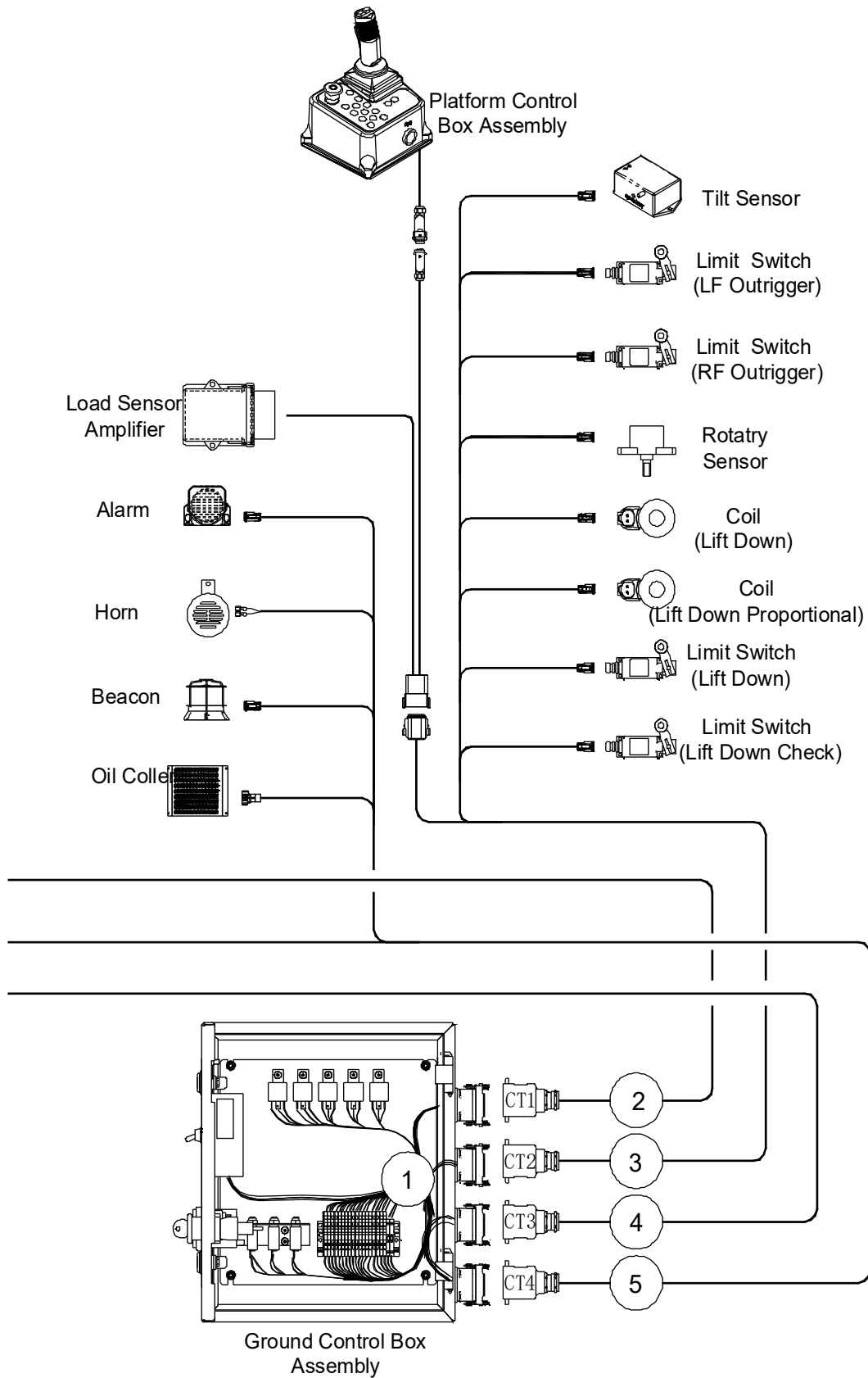
Item	Part No.	Description	Qty.
1	00006395	Hose assembly	1
2	00006396	Hose assembly	1
3	00006397	Hose assembly	1
4	00006561	Hose assembly	1
5	00005204	Hose assembly	1
6	00005205	Tee fitting	1
7	00001506	Straight fitting	3
8	00001508	Straight fitting	2
9	00001314	Straight fitting	1
10	00001316	Straight fitting	1
11	00001318	Straight fitting	2
12	00001265	Straight fitting	1
13	00005208	Straight fitting	1
14	00001842	Elbow	2
15	00001835	Elbow	1
16	00001841	Elbow	1
17	00001832	Elbow	1
18	00001240	Tee fitting	1

# Section 5 Electrical System

501.1 Electrical Harness



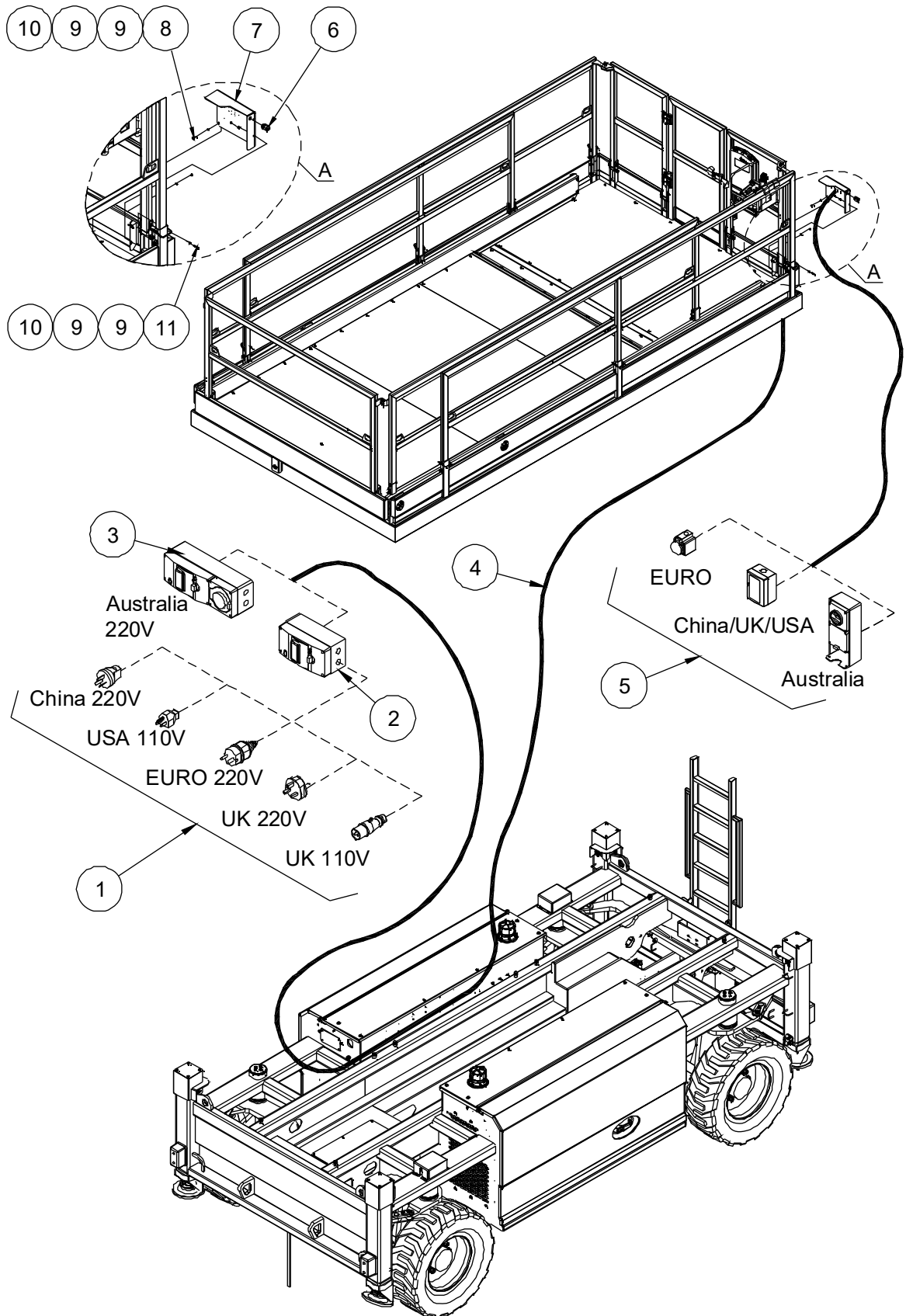
### 501.1 Electrical Harness



**501.1 Electrical Harness**

<b>Item</b>	<b>Part No.</b>	<b>Description</b>	<b>Qty.</b>
1	00010389	Ground control box harness	1
2	00010384	CT1 harness	1
3	00010385	CT2 harness	1
4	00010386	CT3 harness	1
5	00010387	CT4 harness	1
6	00010388	Outrigger harness	1
7	00007043	Preheat contactor harness	1
8	00007028	DPF harness	1
9	00010393	Alternator harness	1
10	00007041	Preheat fuse harness	1
11	00010392	Start motor harness	1
12	00010394	Engine negative harness	1
13	00010391	Battery positive harness	1

502.1 Power to Platform

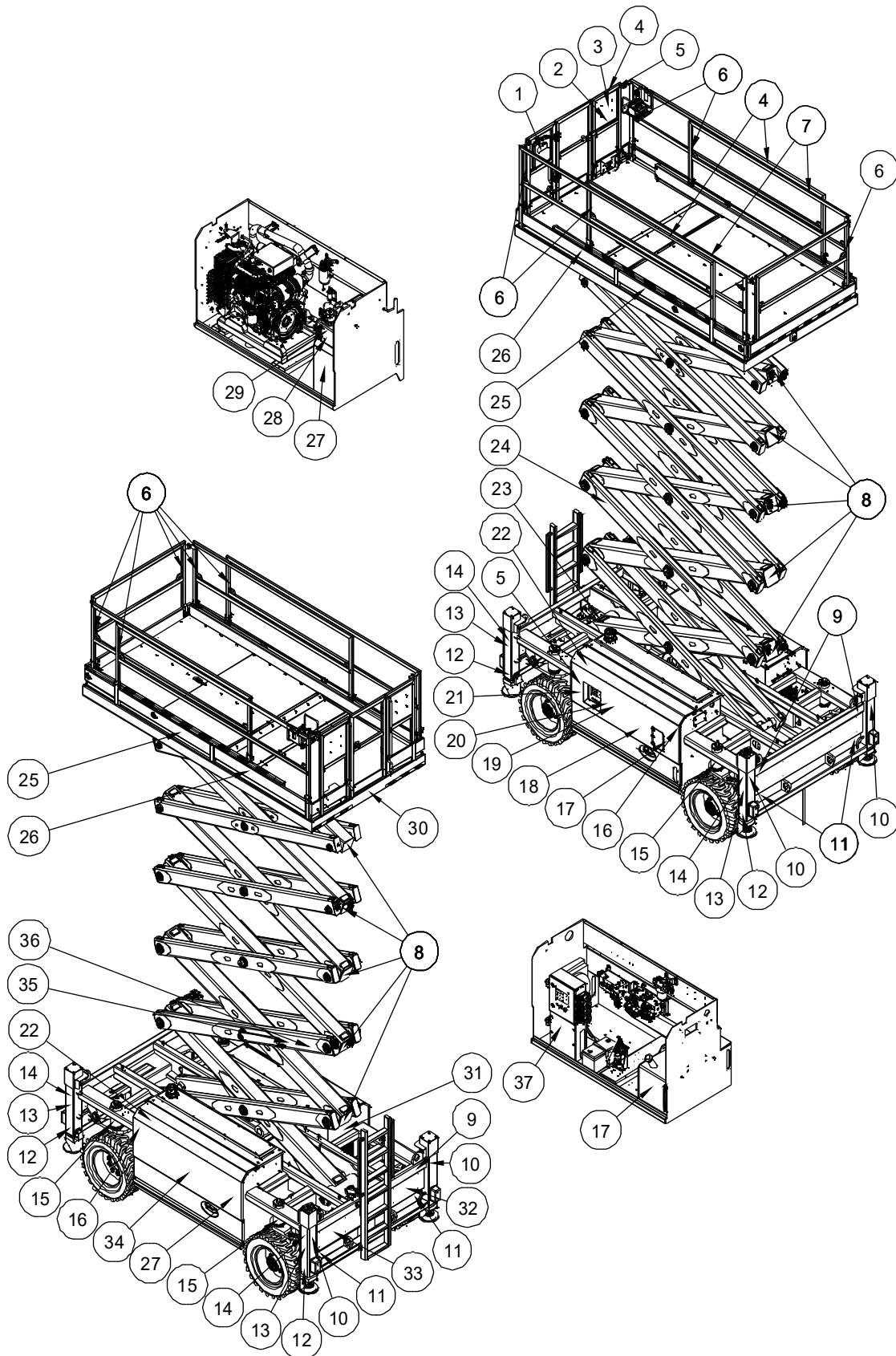


**502.1 Power to Platform**

Item	Part No.	Description	Qty.
1	00003148	AC plug (China 220V)	1
	00003149	AC plug (USA 110V)	1
	00003151	AC plug (European 220V)	1
	00003150	AC plug (UK 220V)	1
	00002615	AC plug (UK 110V)	1
2	00002634	Circuit breaker (Option)	1
3	00002603	AC plug (Australia 220V)	1
4	00010739	Wire cable, platform AC power	1
5	00002709	AC socket (European)	1
	00000668	AC socket (China/UK/USA)	1
	00002617	AC socket (Australia) (AC socket bracket: 10009657)	1
6	00001828	Water-proof joint M20	1
7	10013157	Socket mount plate	1
8	00001246	Screw GB/T 70.1 M5×16	1
9	00000605	Washer GB/T 97.1 5	6
10	00000613	Nut GB/T 6182 M5	3
11	00000817	Screw GB/T 70.1 M5×20	2

# Section 6 Decal

601.1 Decals with Words



**601.1 Decals with Words**

Item	Part No.	Description	Qty.
1	09340001	Decal, Notice-Keep the manual with the machine	1
2	09440119	Decal, Danger-Tip-over hazard, tilt-alarm	1
3	09440001	Decal, Danger-General safety rules	1
4	09340070	Decal, Symbols-Non operating hand position	3
5	09340003	Decal, Instructions-Refer the operator to the instructions for use	2
6	09440011	Decal, Label-Lanyard anchorage point	10
7	09440212	Decal, Warning-Crushing hazard	2
8	09430007	Decal, Symbols-Crushing hazard	10
9	09310049	Decal, Instructions-Lift point	4
10	09420005	Decal, Warning-Collision hazard	4
11	09310050	Decal, Instructions-Tie down point	4
12	09310563	Decal, Instructions-Maximum outrigger load 3470kg	4
13	09410157	Decal, Symbols-Outrigger using warning	4
14	09410069	Decal, Warning-Crushing hazard, outrigger	4
15	09310203	Decal, Instructions-Maximum wheel load 3470kg	4
16	09540001	Decal, Label-CE	2
17	09320003	Decal, Instructions-Diesel	2
18	09310148	Decal, Instructions-Emergency	1
19	09410001	Decal, Danger-Explosion/burn hazard	1
20	09410071	Decal, Warning-Injection hazard	1
21	09410003	Decal, Warning-Inspected and operation properly	1
22	09910124	Decal, Label-JCPT1923RTL	2
23	09410005	Decal, Danger-Do not alter or disable limit switch	1
24	09330041	Decal, Instructions-Grease filling port	1
25	09440007	Decal, Caution-Max. manual force 400N	2
26	09640252	Decal, Cosmetic-JCPT1923RTL	2
27	09310054	Decal, Instructions-Hydraulic	1
28	09310053	Decal, Instructions-Lowest oil level	1

**601.1 Decals with Words**

<b>Item</b>	<b>Part No.</b>	<b>Description</b>	<b>Qty.</b>
29	09310052	Decal, Instructions-Highest oil level	1
30	09440570	Decal, Label-Capacity 680kg	1
31	09410136	Decal, Notice-Main power switch operation	1
32	09310305	Decal, Instructions-Grease filling port	1
33	09310307	Decal, Instructions-Grease filling port	1
34	09420011	Decal, Caution-High temperature	1
35	09430028	Decal, Danger-Safety arm	1
36	09330039	Decal, Instructions-Grease filling port	1
37	09310290	Decal, Symbols-Emergency operating instructions	1

601.1 Decals with Words

① 09340001

② 09440119

④ 09340070

⑥ 09440011

③ 09440001

⑤ 09340003

⑦ 09440212

⑨ 09310049

⑩ 09420005

⑧ 09430007

⑪ 09310050

⑫ 09310563

⑬ 09410157

⑭ 09410069

⑮ 09310203

⑯ 09540001

⑰ 09320003

⑱ 09410001

⑲ 09410001

⑳ 09410071

㉑ 09410003

㉒ 09910124

㉓ 09410005

㉔ 09440007

601.1 Decals with Words

26 09640252

# JCPT1923RTL

27 09310054

HYDRAULIC

30 09440570

×4  
=680kg

×4  
=680kg

0m/s

×4  
=680kg

×4  
=680kg

12.5m/s

24 09330041

32 09310305

33 09310307

36 09330039

35 09430028

DANGER

Crushing Hazard

Death or serious injury can result from contact with moving scissor arms.

Don't engage safety arm unless unload platform.

Engage safety arm before performing maintenance or repair.

28 09310053

29 09310052

31 09410136

CAUTION

Don't cut off the main power until the engine has been stopped for two minutes.

34 09420011

CAUTION

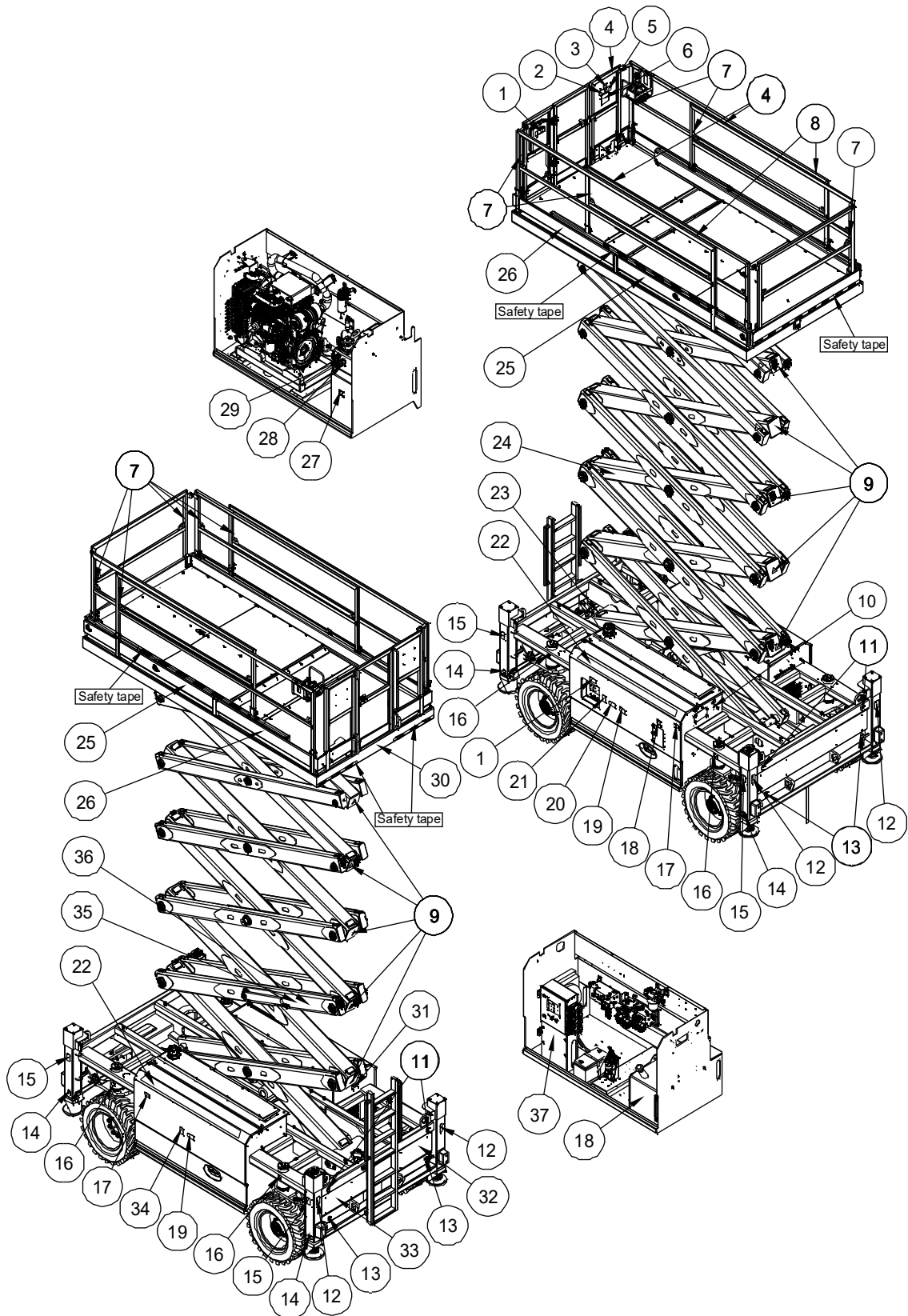
HIGH TEMPERATURE DO NOT TOUCH.

37 09310290

142

DINGLI

### 602.1 Decals with Symbols



**602.1 Decals with Symbols**

Item	Part No.	Description	Qty.
1	09340026	Decal, Symbols-Refer the operator to the instructions for use	2
2	09440094	Decal, Symbols-Tip-over hazard, outrigger	1
3	09340028	Decal, Instructions-Directional arrows	1
4	09340070	Decal, Symbols-Non operating hand position	3
5	09440090	Decal, Symbols-Tip-over hazard, tilt-alarm	1
6	09440091	Decal, Symbols-General safety rules	1
7	09440089	Decal, Label-Lanyard anchorage point	8
8	09440212	Decal, Warning-Crushing hazard	2
9	09430007	Decal, Symbols-Crushing hazard	10
10	09310098	Decal, Symbols-Platform power instructions	1
11	09310049	Decal, Instructions-Lift point	4
12	09410043	Decal, Symbols-Collision hazard	4
13	09310050	Decal, Instructions-Tie down point	4
14	09310563	Decal, Instructions-Maximum outrigger load: 3470kg	4
15	09410042	Decal, Symbols-Crushing hazard	4
16	09310203	Decal, Instructions-Maximum wheel load:3470kg	4
17	09540001	Decal, Label-CE	2
18	09310072	Decal, Instructions-Diesel	2
19	09410049	Decal, Symbols-Electrocution hazard	2
20	09410048	Decal, Symbols-Explosion/burn hazard	1
21	09410050	Decal, Symbols-Injection hazard	1
22	09910124	Decal, Label-JCPT1923RTL	2
23	09410051	Decal, Symbols-Do not alter or disable limit switch	1
24	09330044	Decal, Symbols-Grease filling port	1
25	09440072	Decal, Symbols-Max. manual force 400N	2
26	09640252	Decal, Cosmetic-JCPT1923RTL	2
27	09310073	Decal, Instructions-Hydraulic Oil	1
28	09310053	Decal, Instructions-Lowest Hydraulic Oil Level	1

**602.1 Decals with Symbols**

<b>Item</b>	<b>Part No.</b>	<b>Description</b>	<b>Qty.</b>
29	09310052	Decal, Instructions-Highest Hydraulic Oil Level	1
30	09440570	Decal, Label-Capacity 680kg	1
31	09310078	Decal, Symbols-Main power switch operation	1
32	09310336	Decal, Symbols-Grease filling port	1
33	09310337	Decal, Symbols-Grease filling port	1
34	09410044	Decal, Symbols-Burn hazard	1
35	09430008	Decal, Symbols-Safety arm	1
36	09330043	Decal, Symbols-Grease filling port	1
37	09310289	Decal, Symbols-Emergency lower instructions	1

602.1 Decals with Symbols

<p>① 09340026</p>	<p>② 09440094</p>	<p>③ 09340028</p>	<p>④ 09340070</p>
<p>⑥ 09440091</p>	<p>⑦ 09440089</p>	<p>⑧ 09440212</p>	<p>⑤ 09440090</p>
<p>⑨ 09430007</p>	<p>⑩ 09310098</p>	<p>⑪ 09310049</p>	
<p>⑫ 09410043</p>	<p>⑬ 09310050</p>	<p>⑭ 09310563</p>	<p>⑰ 09540001</p>
<p>⑮ 09410042</p>	<p>⑱ 09410049</p>	<p>⑲ 09310203</p>	<p>⑱ 09310072</p>
<p>⑲ 09410049</p>	<p>⑳ 09410048</p>		
<p>⑳ 09410050</p>	<p>㉓ 09410051</p>	<p>㉔ 09330044</p>	
<p>㉔ 09440072</p>	<p>㉕ 09910124</p>		

602.1 Decals with Symbols

(26) 09640252

# JCPT1923RTL

(30) 09440570

(27) 09310073

(32) 09310336

(28) 09310053

(29) 09310052

(31) 09310078

(34) 09410044

(33) 09310337

(36) 09330043

(35) 09430008

(37) 09310289

---

**Zhejiang Dingli Machinery Co., Ltd.**

No.188 Qihang Road. Deqing Zhejiang P.R.  
China 313219

Tel: +86-572-8681688

Fax: +86-572-8681690

Web: [www.cndingli.com](http://www.cndingli.com)

E-mail: [market@cndingli.com](mailto:market@cndingli.com)

---

**DINGLI**